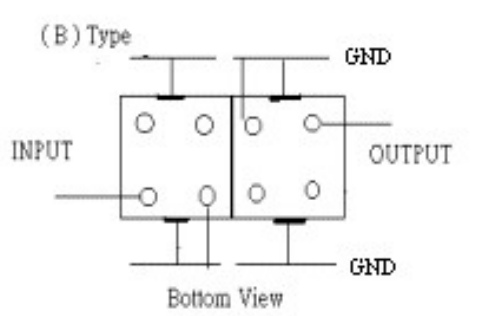
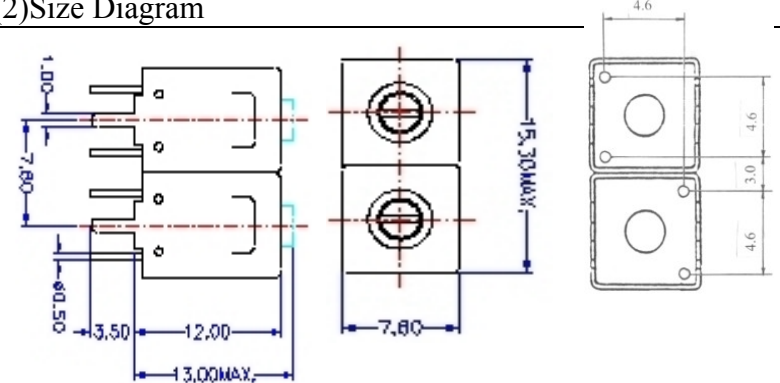


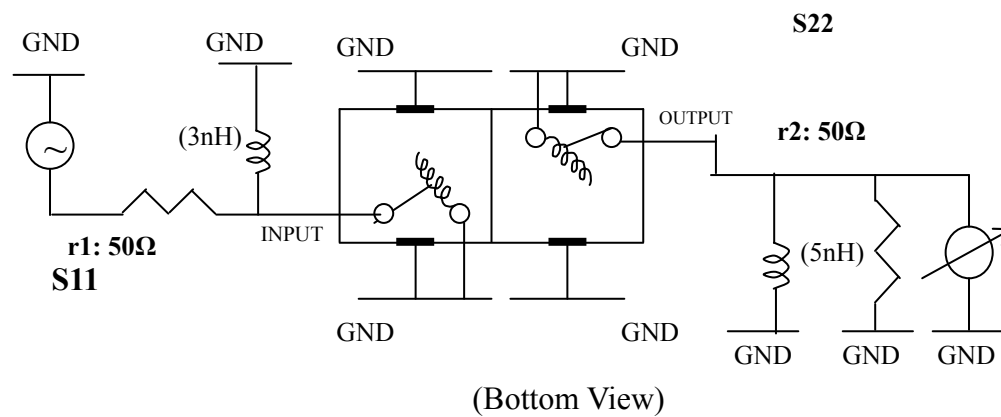
VHF UHF Helical Filter Specification Sheet

Customer Name		Temwell's Part No.	TD67703B-318M
Approval No. /dated	20507054APR	Acceptable Specify Fo. Range	311~355MHz
Work Instruction No.	20507054DC	Date	Jul.20.2005

<p>(1) Pin Position</p>  <p>(B) Type</p> <p>INPUT</p> <p>OUTPUT</p> <p>GND</p> <p>GND</p> <p>Bottom View</p>	<p>(2) Size Diagram</p>  <p>Dimensions: 1.00, 7.80, 0.50, 3.50, 12.00, 13.00MAX., 7.80, 15.30MAX., 4.6, 4.6, 3.0, 4.6</p>
---	---

(3) Electric Character			
Item		Specify	Performance
Center Freq.(Fo) +/- 0.5 %		318 MHz	318 MHz
Tunable Range		318±4 MHz	318±4 MHz
Insertion Loss		Typ. 2.0 dB	0.77 dB
-3 dB Bandwidth		Typ. 28 MHz	29.5 MHz
Sensitivity (Attenuation)	Fo - 50 MHz	Typ. 15 dBc	18 dBc
	Fo + 50 MHz	Typ. 19 dBc	21 dBc
	Fo - ()MHz	Typ. dBc	dBc
	Fo + ()MHz	Typ. dBc	dBc
Return Loss		Min. 12 dB	20 dB
Ripple		< 1 dB	dB
Impedance		In / Out : 50 Ω	In / Out : 50 Ω
(4) Torque for Tuning Screw		> 100gf • cm	
(5) Temperature Condition:			
Operating Temperature		0°C ~ +60°C	
Storage Temperature		-20°C ~ +70°C	
(6) Input Power		> 1Watt	

(7) Measuring Circuit: ※Easy to match Impedance 50Ω by parallel with about (3-5) nH.

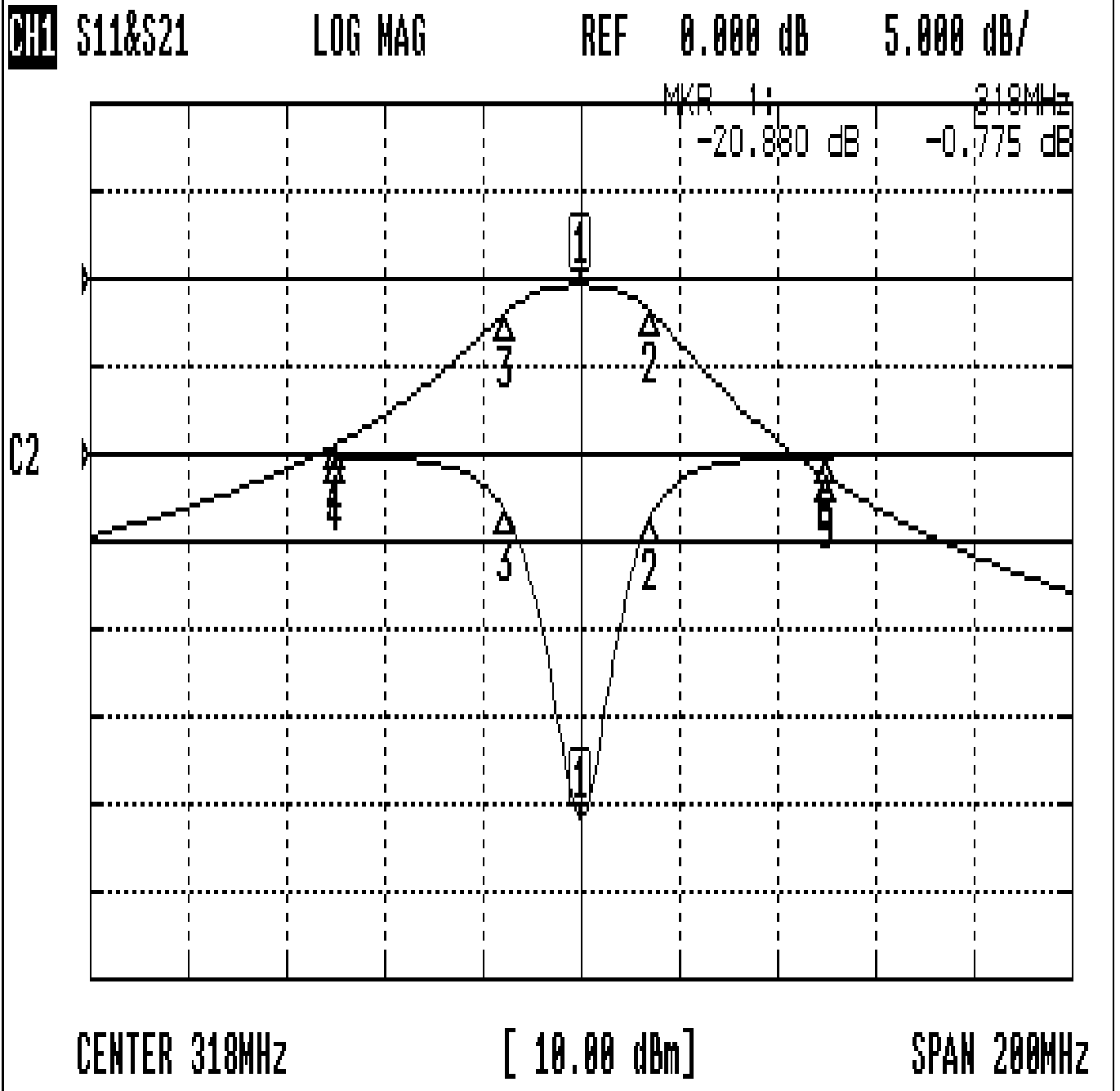


Approval	Supervisor	Designer	Aperture size
C.Y. Chang	C.S. Chang	C.S. Chang	7H2S(4*6.5) 7H046LB5

TEMWELL CORPORATION

Performance-TD67703B-318M

20507054DC



CH1 MARKER LIST

1:	318.000MHz	-20.880 dB	-0.775 dB
2:	332.333MHz	-3.662 dB	-3.784 dB
3:	302.833MHz	-3.416 dB	-3.738 dB
4:	268.000MHz	-0.137 dB	-18.977 dB
5:	368.000MHz	-0.145 dB	-22.642 dB