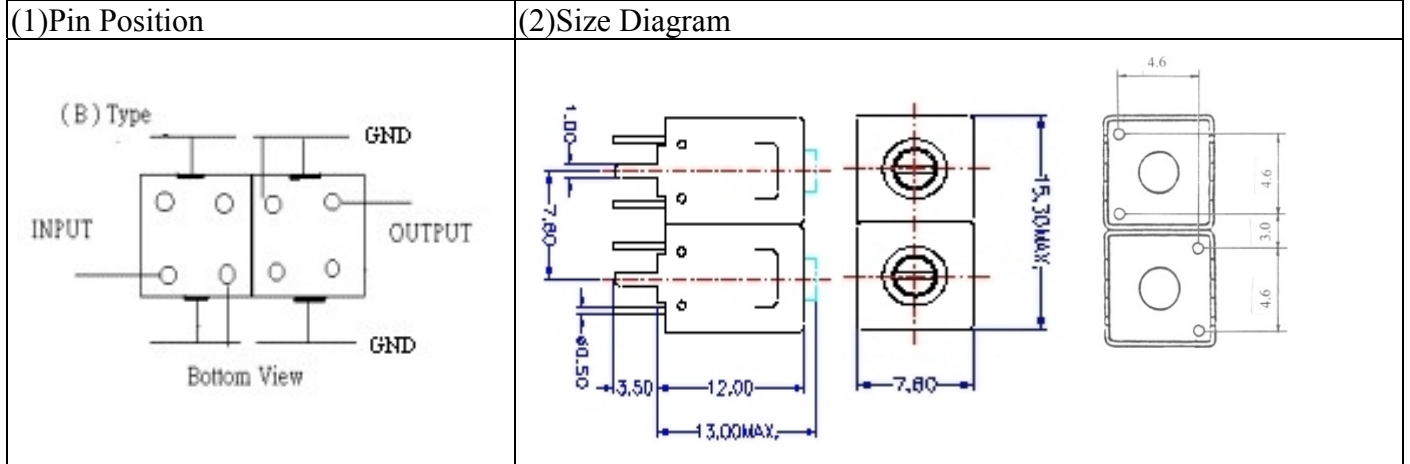


# VHF UHF Helical Filter Specification Sheet

Customer Name		Temwell's Part No.	TD67715B-180M
Approval No. /dated	20507083APR	Acceptable Specify Fo. Range	166~195MHz
Work Instruction No.	20507083DC	Date	Aug.03.2005



(3) Electric Character

Item	Specify	Performance	
Center Freq.(Fo) +/- 0.5 %	180 MHz	180 MHz	
Tunable Range	180±2 MHz	180±2 MHz	
Insertion Loss	Typ. 2.0 dB	1.20 dB	
-3 dB Bandwidth	Typ. 30 MHz	32.2 MHz	
Sensitivity (Attenuation)	Fo - 50 MHz	Typ. 14 dBc	17 dBc
	Fo + 50 MHz	Typ. 16 dBc	19 dBc
	Fo - ( )MHz	Typ. dBc	dBc
	Fo +( )MHz	Typ. dBc	dBc
Return Loss	Min. 12 dB	22.6 dB	
Ripple	< 1 dB	dB	
Impedance	In / Out : 50 Ω	In / Out : 50 Ω	

(4) Torque for Tuning Screw > 100gf · cm

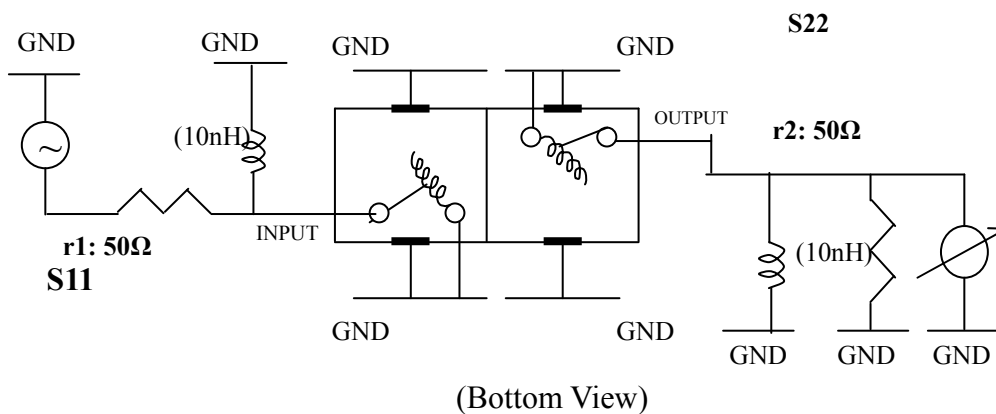
(5) Temperature Condition:

Operating Temperature 0°C ~ +60°C

Storage Temperature -20°C ~ +70°C

(6) Input Power > 1Watt

(7) Measuring Circuit: ※Easy to match Impedance 50Ω by parallel with about (10) nH

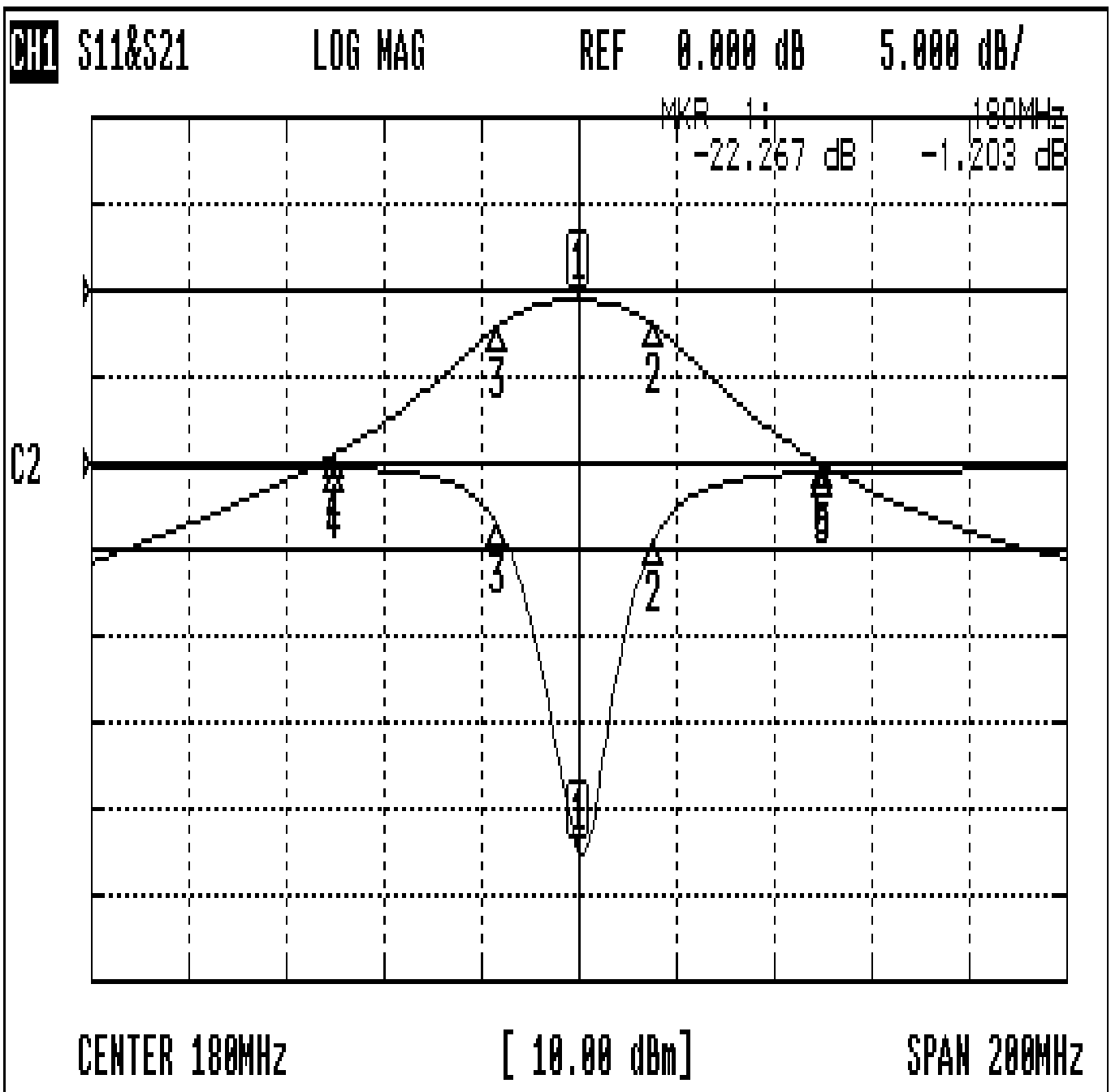


Approval	Supervisor	Designer	Aperture size
C.Y. Chang	C.S. Chang	C.S. Chang	7H2S(4*5.5) 7H00LB6

TEMWELL CORPORATION

# Performance-TD67715B-180M-30M

## 20507083DC



### CH1 MARKER LIST

1:	180.000MHz	-22.267 dB	-1.203 dB
2:	195.500MHz	-4.564 dB	-4.148 dB
3:	163.333MHz	-3.571 dB	-4.169 dB
4:	130.000MHz	-0.296 dB	-18.940 dB
5:	230.000MHz	-0.536 dB	-20.147 dB