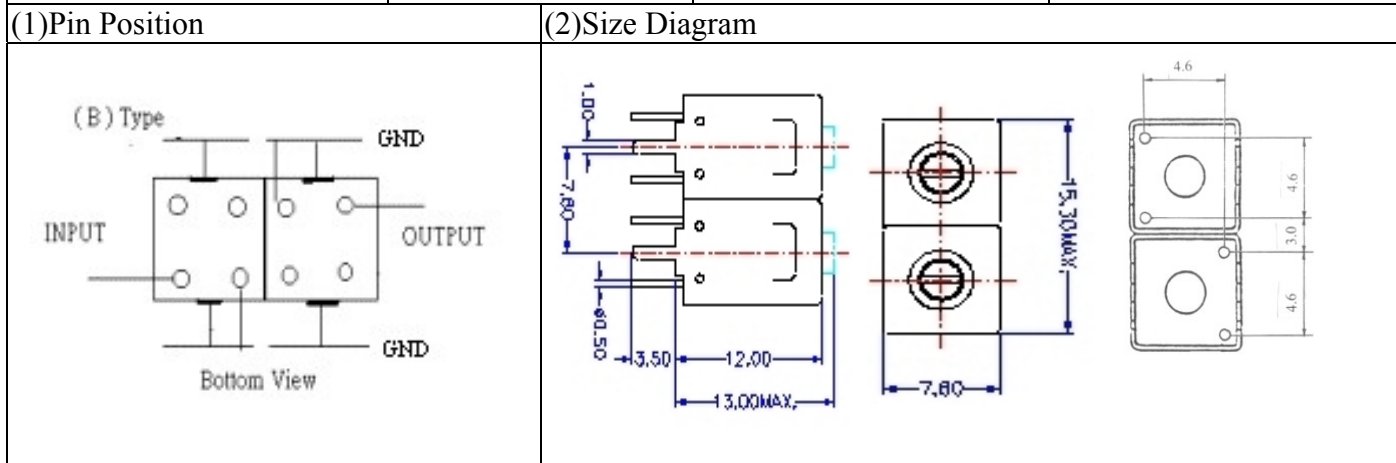


VHF UHF Helical Filter Specification Sheet

Customer Name		Temwell's Part No.	TD67717B-180M
Approval No. /dated	20507085APR	Temwell's Print Name	166~195M
Work Instruction No.	20507085DC	Date	Jul.31.2006



(3) Electric Character

Item	Specify	Performance	
Center Freq.(Fo) +/- 0.5 %	180 MHz	180 MHz	
Tunable Range	180±2 MHz	180±2 MHz	
Insertion Loss	Typ. 2.0 dB	0.70 dB	
-3 dB Bandwidth	Typ. 40 MHz	46.5 MHz	
Sensitivity (Attenuation)	Fo - 100 MHz	Typ. 20 dBc	23 dBc
	Fo + 100 MHz	Typ. 21 dBc	24 dBc
	Fo - ()MHz	Typ. dBc	dBc
	Fo +()MHz	Typ. dBc	dBc
Return Loss	Min. 12 dB	20.8 dB	
Ripple	< 1 dB	dB	
Impedance	In / Out : 50 Ω	In / Out : 50 Ω	

(4) Torque for Tuning Screw > 100gf · cm

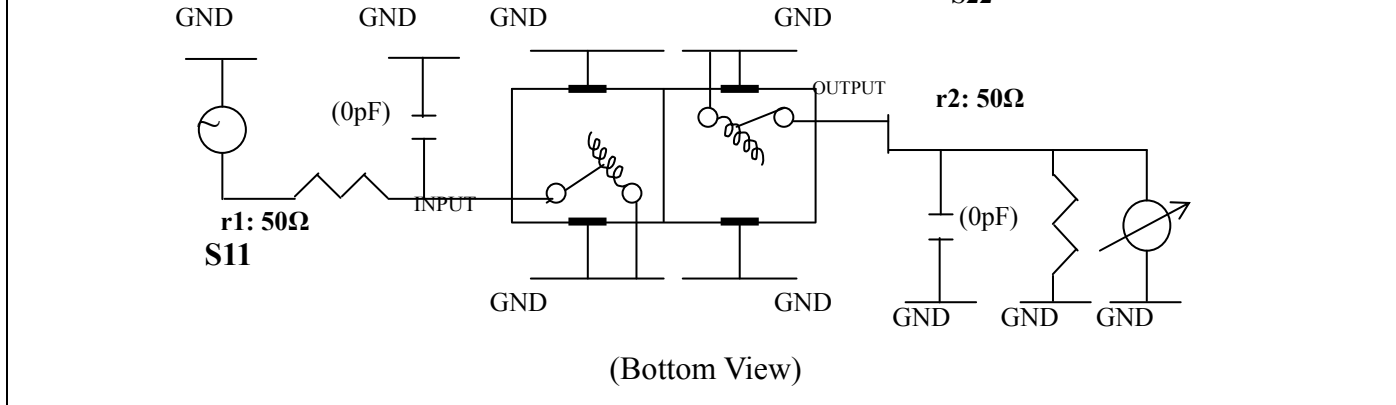
(5) Temperature Condition:

Operating Temperature	0°C ~ +60°C
-----------------------	-------------

Storage Temperature	-20°C ~ +70°C
---------------------	---------------

(6) Input Power > 1Watt

(7) Measuring Circuit: ※Easy to match Impedance 50Ω by parallel with about (0) pF.

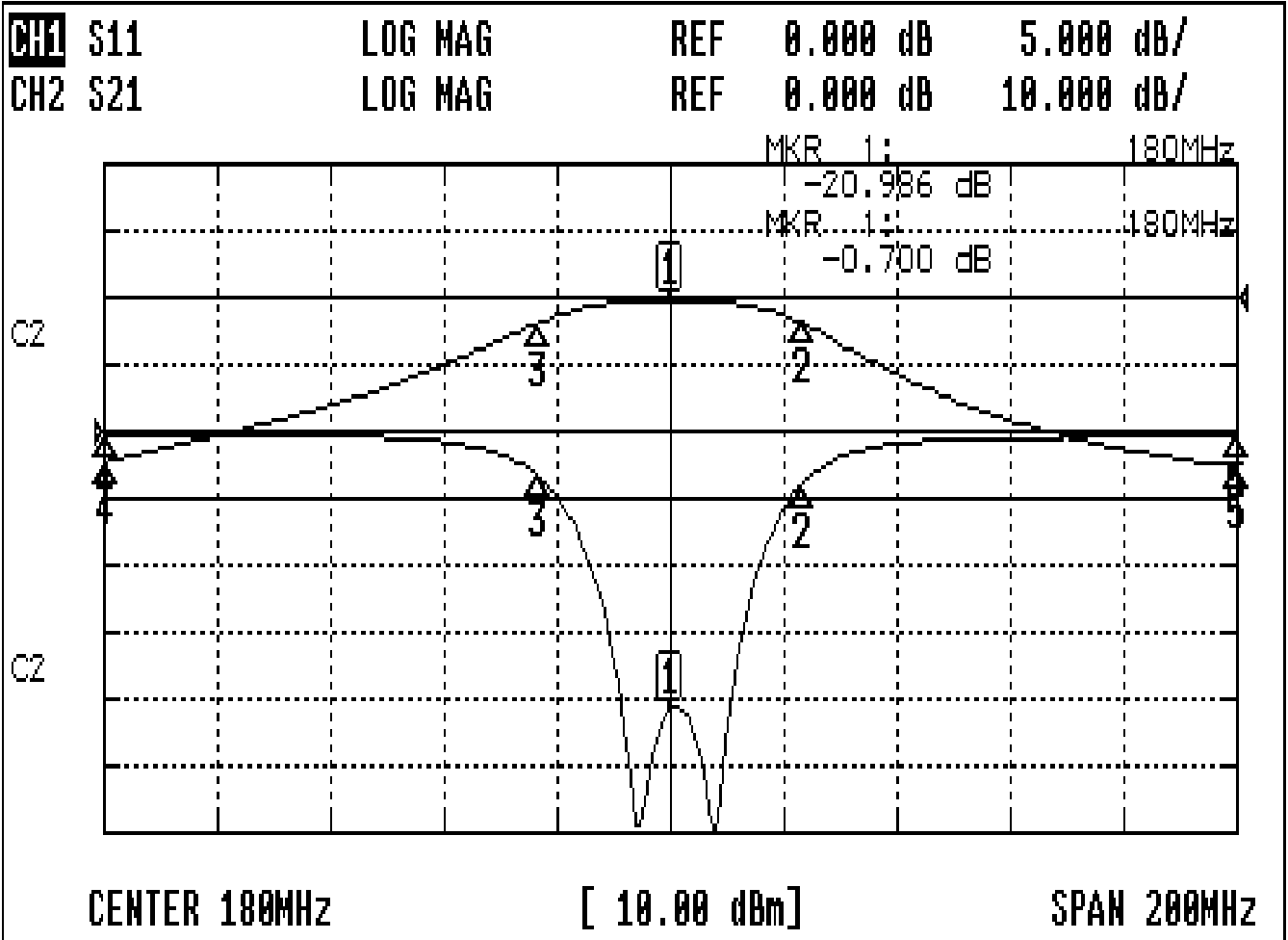


Approval	Supervisor	Designer	Aperture size
C.Y.Chang	C.S.Chang	W.W.Wang	7H2(4*7.5)F 7H00LB6

TEMWELL CORPORATION

Performance-TD67717B-180M-40M

20507085DC



CH1 MARKER LIST

1	180.000MHz	-20.981 dB
2	203.166MHz	-3.958 dB
3	156.666MHz	-3.317 dB
4	80.000MHz	-0.166 dB
5	280.000MHz	-0.403 dB

CH2 MARKER LIST

1	180.000MHz	-0.700 dB
2	203.166MHz	-3.746 dB
3	156.666MHz	-3.759 dB
4	80.000MHz	-24.504 dB
5	280.000MHz	-25.146 dB