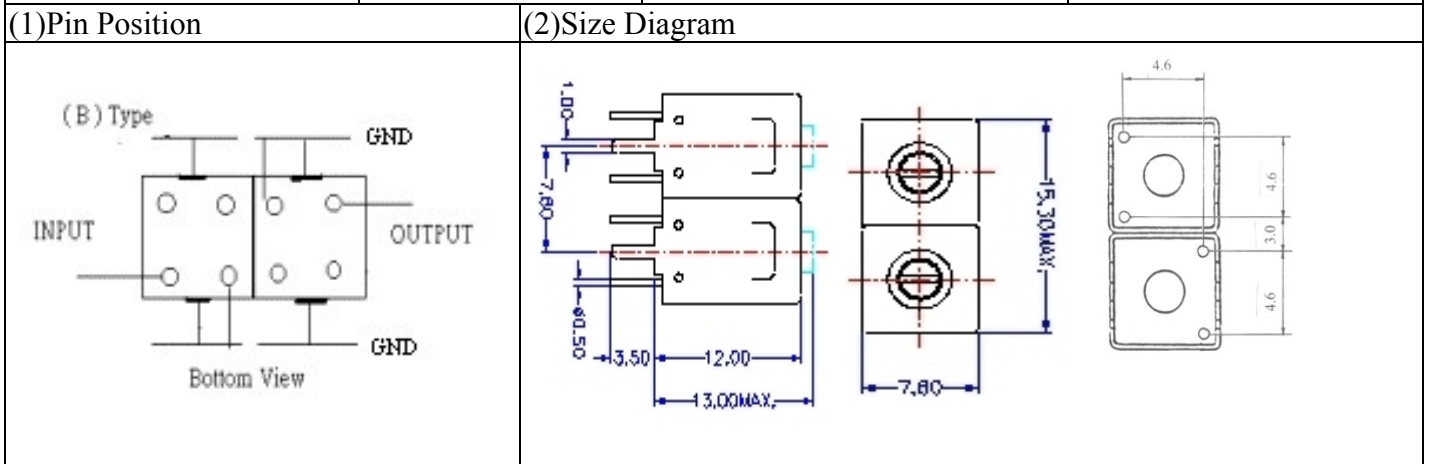


VHF UHF Helical Filter Specification Sheet

Customer Name		Temwell's Part No.	TD67719B-233M
Approval No. /dated	20507087APR	Acceptable Specify Fo. Range	221~245MHz
Work Instruction No.	20507087DC	Date	Aug.09.2005



(3) Electric Character

Item	Specify	Performance	
Center Freq.(Fo) +/- 0.5 %	233 MHz	233 MHz	
Tunable Range	233±4 MHz	233±4 MHz	
Insertion Loss	Typ. 2.0 dB	0.57 dB	
-3 dB Bandwidth	Typ. 40 MHz	45.5 MHz	
Sensitivity (Attenuation)	Fo - 100 MHz	Typ. 21 dBc	24 dBc
	Fo + 100 MHz	Typ. 21 dBc	24 dBc
	Fo - ()MHz	Typ. dBc	dBc
	Fo + ()MHz	Typ. dBc	dBc
Return Loss	Min. 12 dB	31.2 dB	
Ripple	< 1 dB	dB	
Impedance	In / Out : 50 Ω	In / Out : 50 Ω	

(4) Torque for Tuning Screw > 100gf · cm

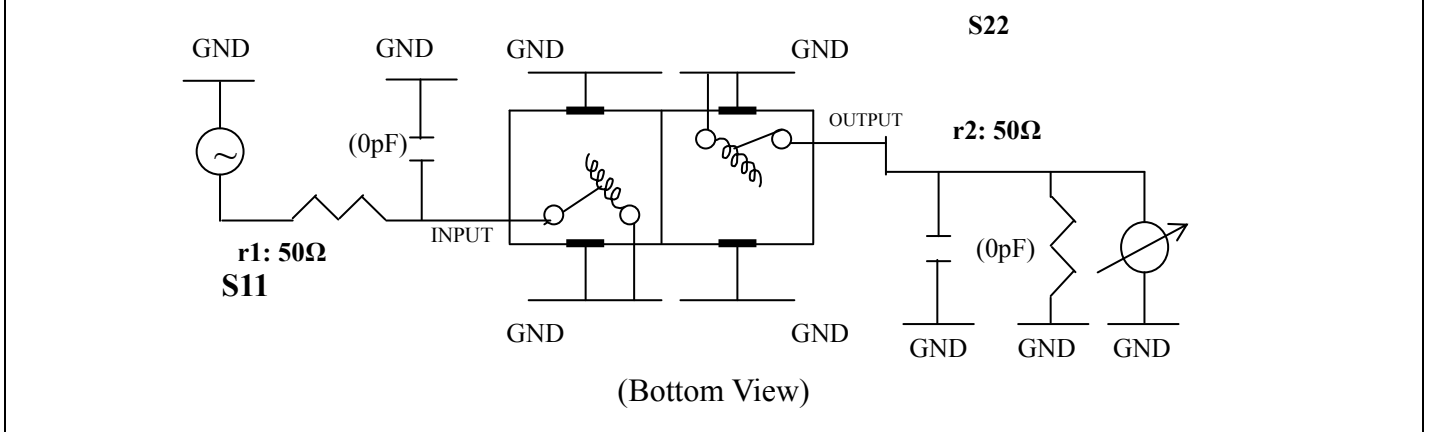
(5) Temperature Condition:

Operating Temperature	0°C ~ +60°C
-----------------------	-------------

Storage Temperature	-20°C ~ +70°C
---------------------	---------------

(6) Input Power > 1Watt

(7) Measuring Circuit: ※Easy to match Impedance 50Ω by parallel with about (0) pF.

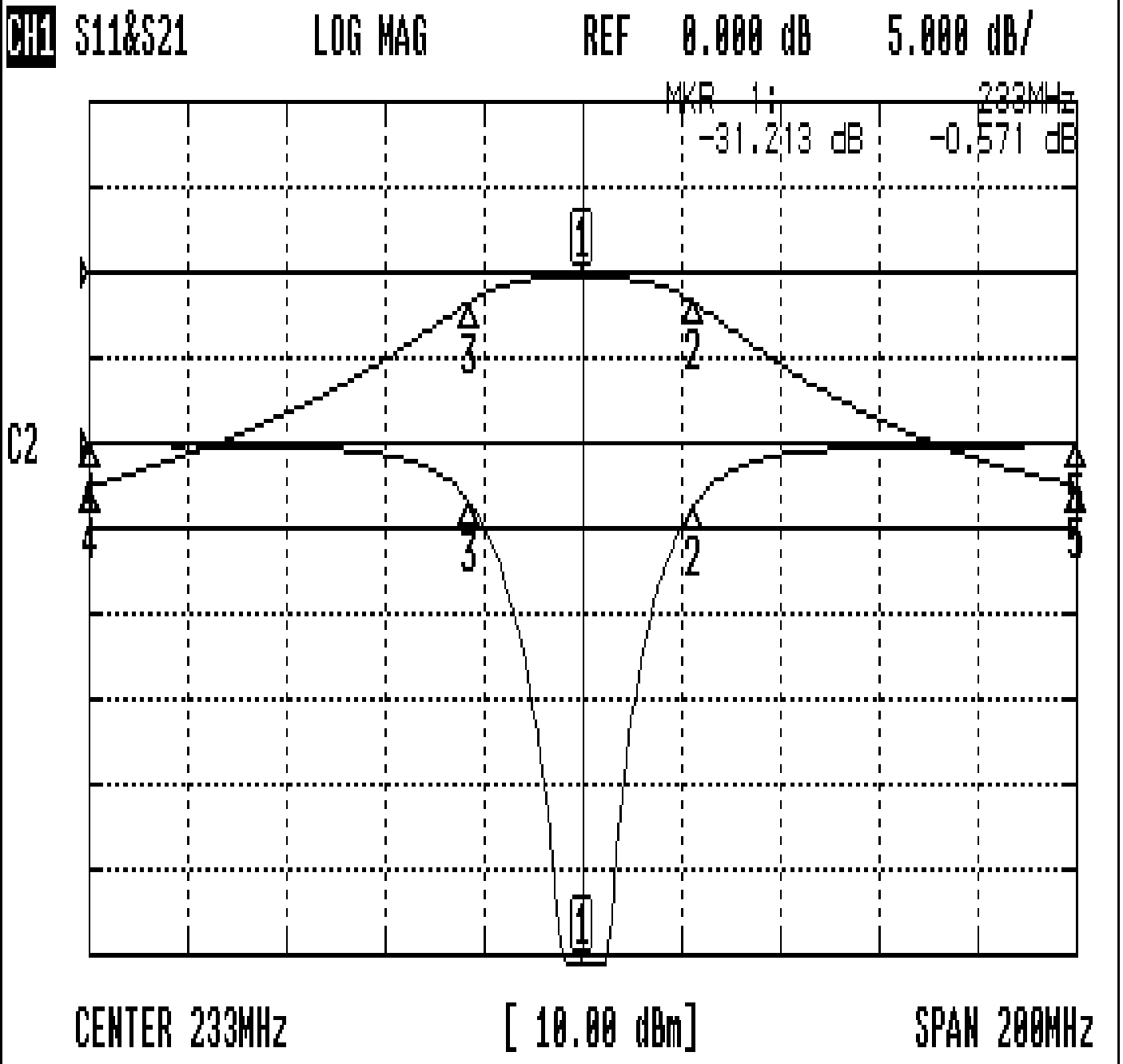


Approval	Supervisor	Designer	Aperture size
C.Y. Chang	C.S. Chang	C.S. Chang	7H2S(4*6.5) 7H046RB6.5

TEMWELL CORPORATION

Performance-TD67719B-233M

20507087DC



CH1 MARKER LIST

1:	233.000MHz	-31.213 dB	-0.571 dB
2:	255.500MHz	-3.698 dB	-3.528 dB
3:	210.000MHz	-3.433 dB	-3.529 dB
4:	133.000MHz	-0.130 dB	-25.856 dB
5:	333.000MHz	-0.106 dB	-25.823 dB