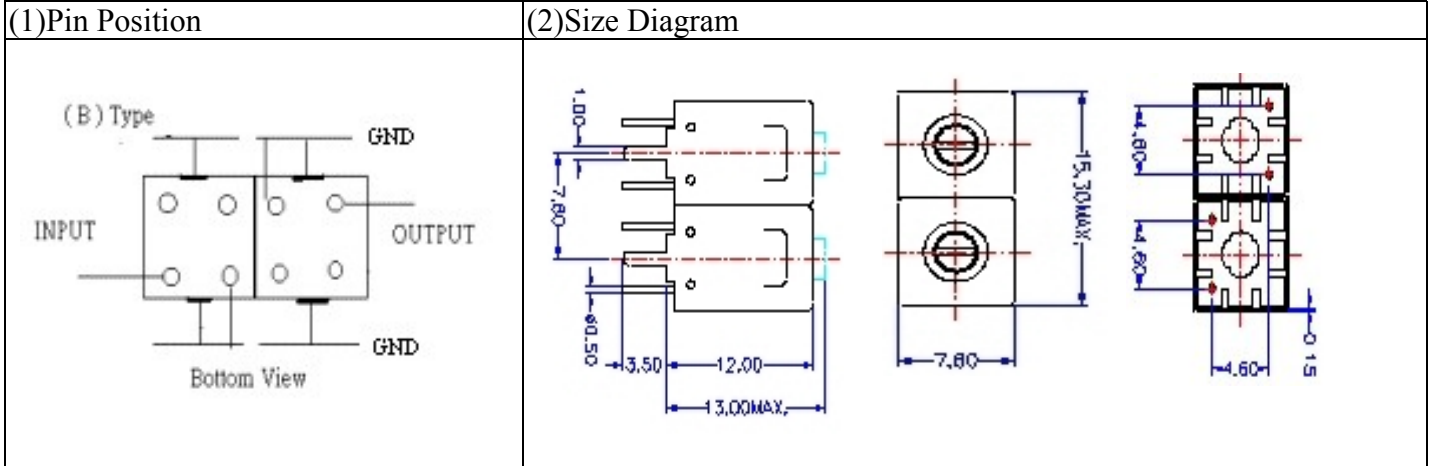


VHF UHF Helical Filter Specification Sheet

| | | | |
|----------------------|-------------|------------------------------|---------------|
| Customer Name | | Temwell's Part No. | TD67721B-293M |
| Approval No. /dated | 20507089APR | Acceptable Specify Fo. Range | 276~310MHz |
| Work Instruction No. | 20507089DC | Date | Jul.26.2005 |



(3) Electric Character

| Item | Specify | Performance | |
|------------------------------|-----------------|-----------------|--------|
| Center Freq.(Fo) +/- 0.5 % | 293 MHz | 293 MHz | |
| Tunable Range | 293±4 MHz | 293±4 MHz | |
| Insertion Loss | Typ. 2.0 dB | 0.49 dB | |
| -3 dB Bandwidth | Typ. 40 MHz | 43 MHz | |
| Sensitivity (Attenuation) | Fo - 100 MHz | Typ. 22 dBc | 25 dBc |
| | Fo + 100 MHz | Typ. 22 dBc | 25 dBc |
| | Fo - ()MHz | Typ. dBc | dBc |
| | Fo +()MHz | Typ. dBc | dBc |
| Return Loss | Min. 12 dB | 42.0 dB | |
| Ripple | < 1 dB | dB | |
| Impedance | In / Out : 50 Ω | In / Out : 50 Ω | |

(4) Torque for Tuning Screw > 100gf · cm

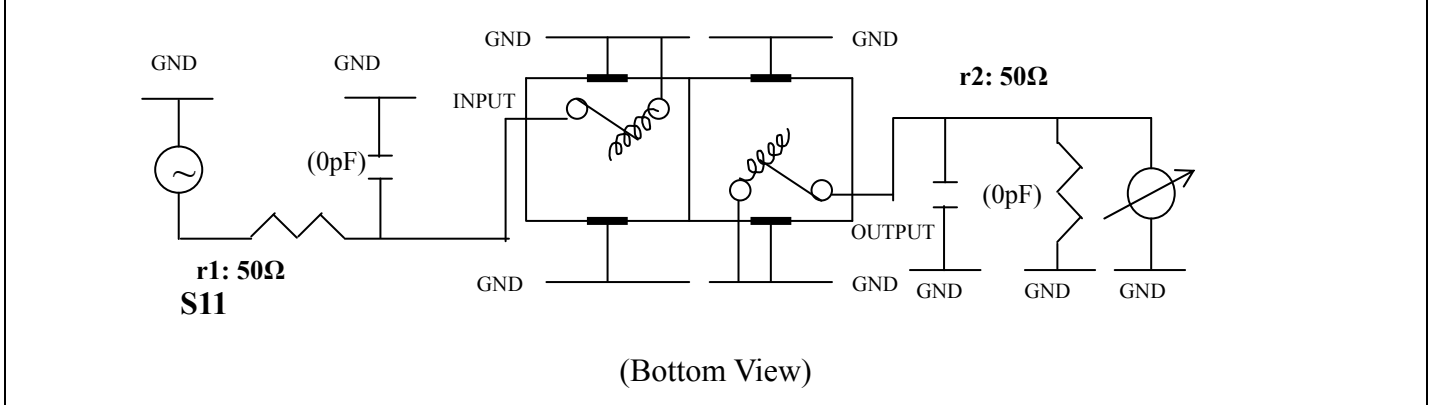
(5) Temperature Condition:

| | |
|-----------------------|-------------|
| Operating Temperature | 0°C ~ +60°C |
|-----------------------|-------------|

| | |
|---------------------|---------------|
| Storage Temperature | -20°C ~ +70°C |
|---------------------|---------------|

(6) Input Power > 1 Watt

(7) Measuring Circuit: ※Easy to match Impedance 50Ω by parallel with about (0) pF.

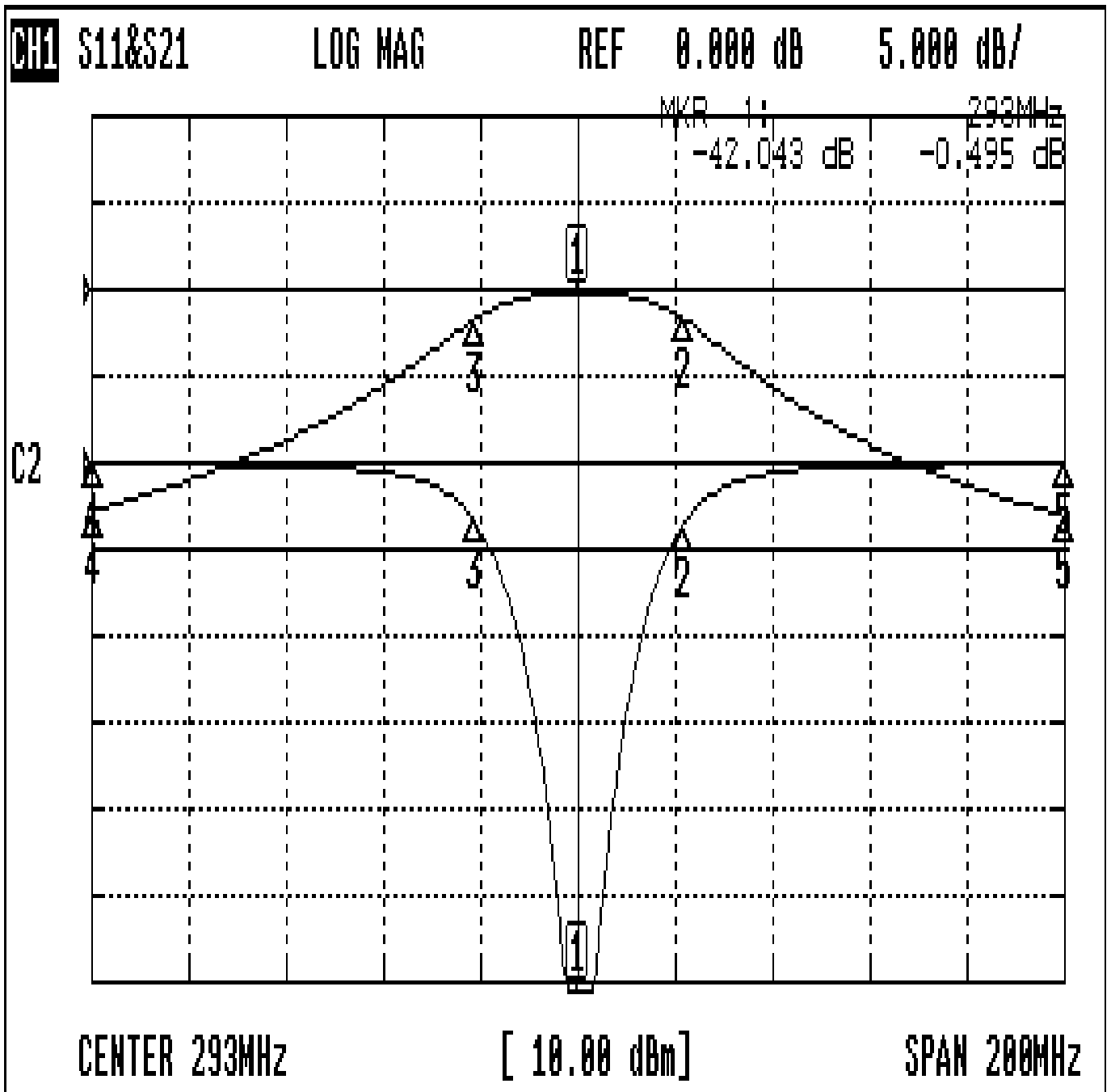


| | | | |
|------------|------------|------------|---------------------------|
| Approval | Supervisor | Designer | Aperture size |
| C.Y. Chang | C.S. Chang | C.S. Chang | 7H2S(4*8.0) 7H046RB5.5 |

TEMWELL CORPORATION

Performance-TD67721B-293M

20507089DC



CH1 MARKER LIST

| | | | |
|----|------------|------------|------------|
| 1: | 293.000MHz | -42.078 dB | -0.495 dB |
| 2: | 314.833MHz | -3.524 dB | -3.457 dB |
| 3: | 271.833MHz | -3.391 dB | -3.480 dB |
| 4: | 193.000MHz | -0.096 dB | -25.631 dB |
| 5: | 393.000MHz | -0.087 dB | -26.050 dB |