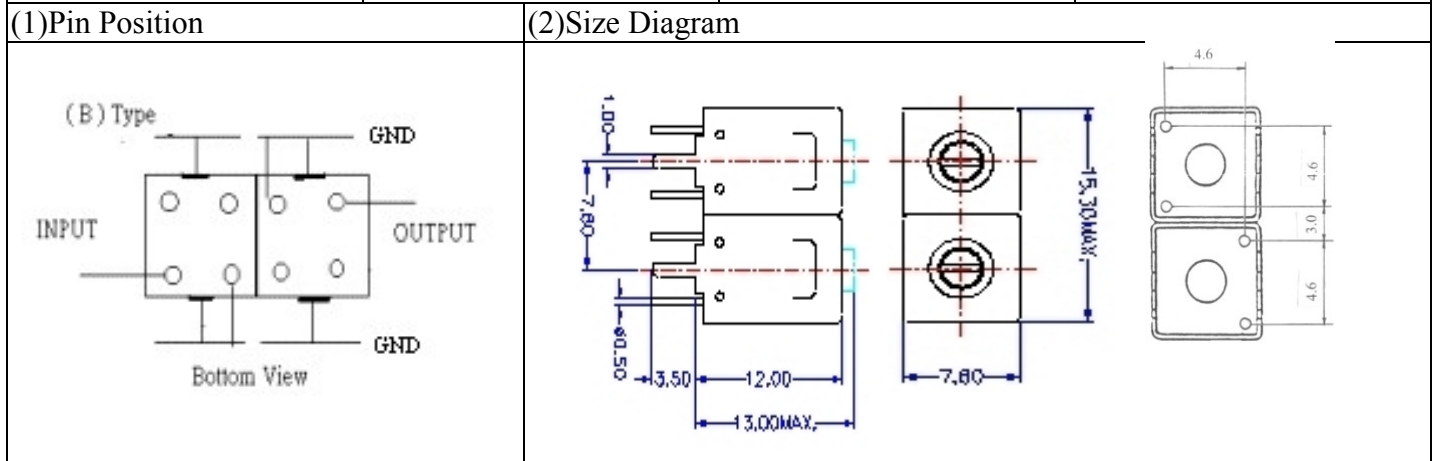


VHF UHF Helical Filter Specification Sheet

Customer Name		Temwell's Part No.	TD67771B-940M
Approval No. /dated	20507139APR	Temwell's print Name	
Work Instruction No.	20507139DC	Date	Aug.22.2005



(3) Electric Character

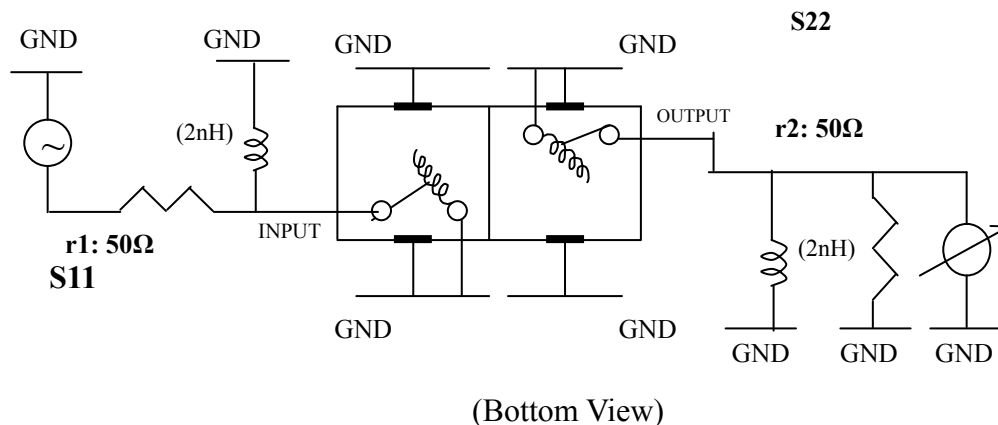
Item	Specify	Performance	
Center Freq.(Fo) +/- 0.5 %	940 MHz	940 MHz	
Tunable Range	940± 5 MHz	940± 5 MHz	
Insertion Loss	Typ. 2.0 dB	1.10 dB	
-3 dB Bandwidth	Typ. 45 MHz	51.5 MHz	
Sensitivity (Attenuation)	Fo - 100 MHz	Typ. 22 dBc	25 dBc
	Fo + 100 MHz	Typ. 16 dBc	19 dBc
	Fo - ()MHz	Typ. dBc	dBc
	Fo + ()MHz	Typ. dBc	dBc
Return Loss	Min. 12 dB	18.2 dB	
Ripple	< 1 dB	dB	
Impedance	In / Out : 50 Ω	In / Out : 50 Ω	
(4) Torque for Tuning Screw	> 100gf · cm		

(5) Temperature Condition:

Operating Temperature	0°C ~ +60°C
Storage Temperature	-20°C ~ +70°C

(6) Input Power

(7) Measuring Circuit: ※Easy to match Impedance 50Ω by parallel with about (2) nH



Approval	Supervisor	Designer	Aperture size
C.Y. Chang	C.S. Chang	C.S. Chang	7H2(4*7.5) 7H046RB4

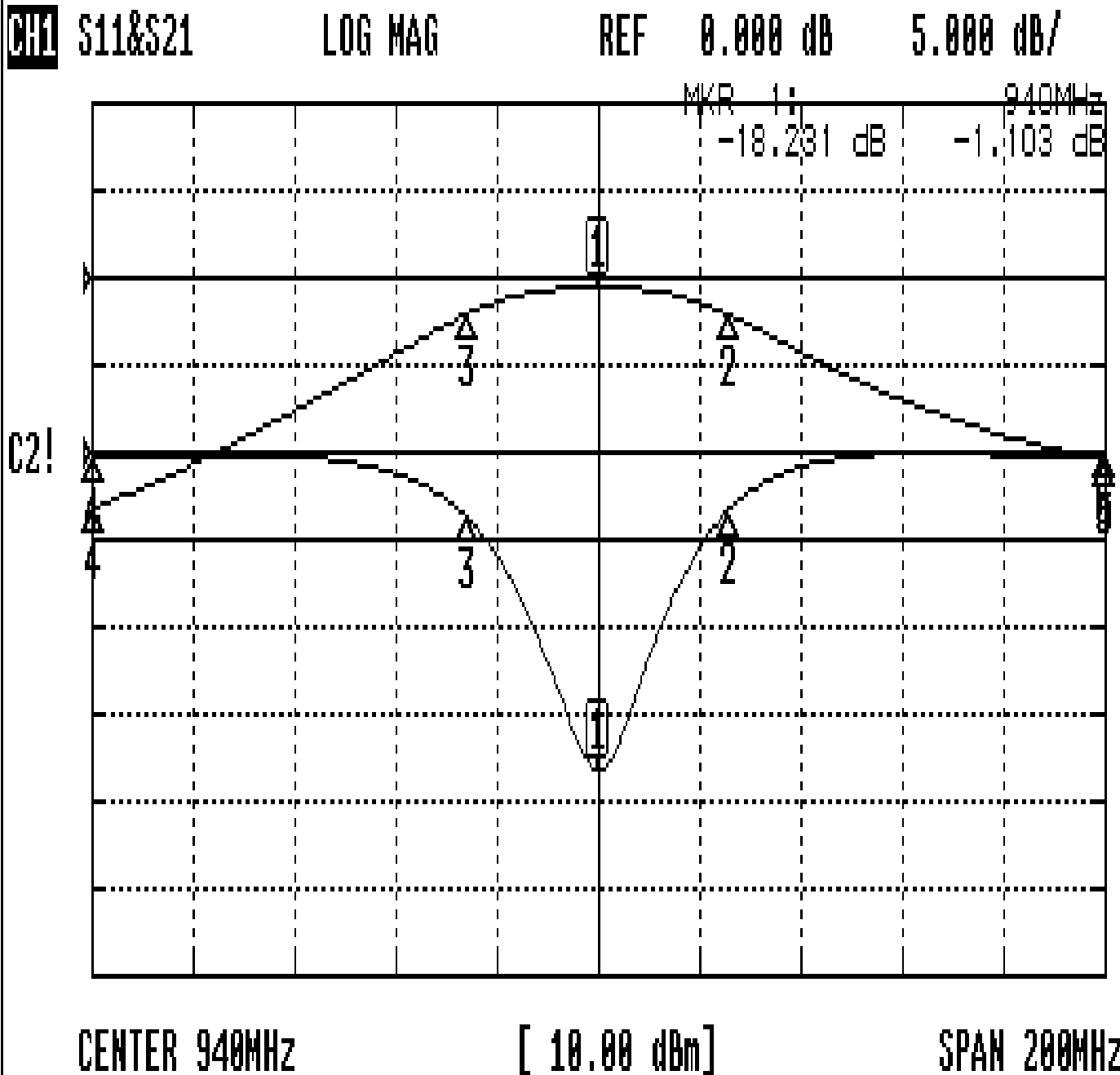
TEMWELL CORPORATION

TEMWELL

Form10-7H2B Vision D

Performance-TD67771B-940M

20507139DC



CH1 MARKER LIST

1:	940.000MHz	-18.231 dB	-1.103 dB
2:	965.666MHz	-3.310 dB	-4.141 dB
3:	914.166MHz	-3.728 dB	-4.114 dB
4:	840.000MHz	-0.368 dB	-26.352 dB
5:	1.040 000GHz	-0.115 dB	-20.863 dB