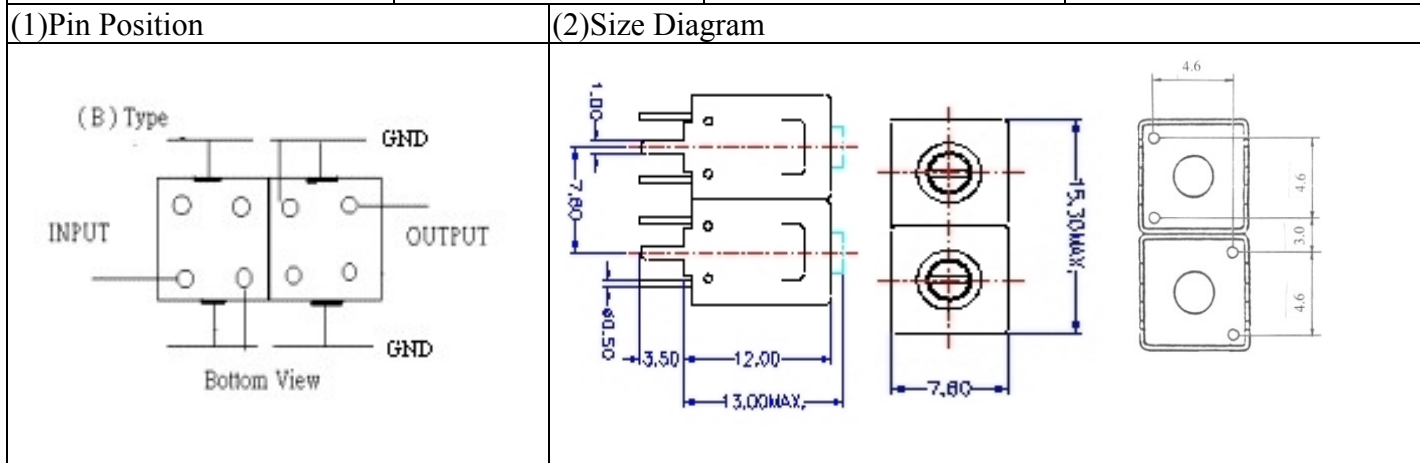


# VHF UHF Helical Filter Specification Sheet

Customer Name		Temwell's Part No.	TD67816B-80M
Approval No. /dated	20508064APR	Temwell's Print Name	76~85M
Work Instruction No.	20508064DC	Date	Jul.31.2006

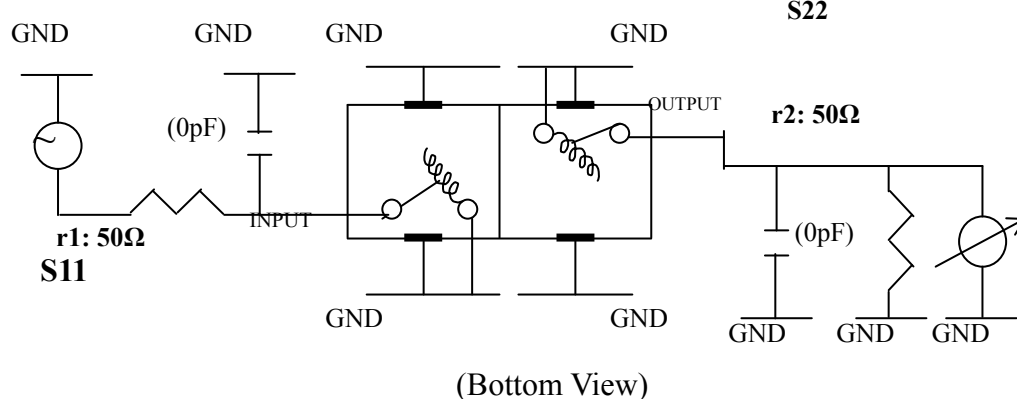


(3) Electric Character			
Item	Specify	Performance	
Center Freq.(Fo) +/- 0.5 %	80 MHz	80 MHz	
Tunable Range	80±2 MHz	80±2 MHz	
Insertion Loss	Typ. 2.0 dB	1.23 dB	
-3 dB Bandwidth	Typ. 15 MHz	16.8 MHz	
Sensitivity (Attenuation)	Fo - 50 MHz	Typ. 19 dBc	21 dBc
	Fo + 50 MHz	Typ. 23 dBc	25 dBc
	Fo - ( )MHz	Typ. dBc	dBc
	Fo + ( )MHz	Typ. dBc	dBc
Return Loss	Min. 12 dB	24.3 dB	
Ripple	< 1 dB	dB	
Impedance	In / Out : 50 Ω	In / Out : 50 Ω	

(4) Torque for Tuning Screw		> 100gf · cm
(5) Temperature Condition:		
Operating Temperature	-0°C ~ +60°C	
Storage Temperature	-20°C ~ +70°C	

(6) Input Power	> 1 Watt
-----------------	----------

(7) Measuring Circuit: ※Easy to match Impedance 50Ω by parallel with about ( 0 ) pF.

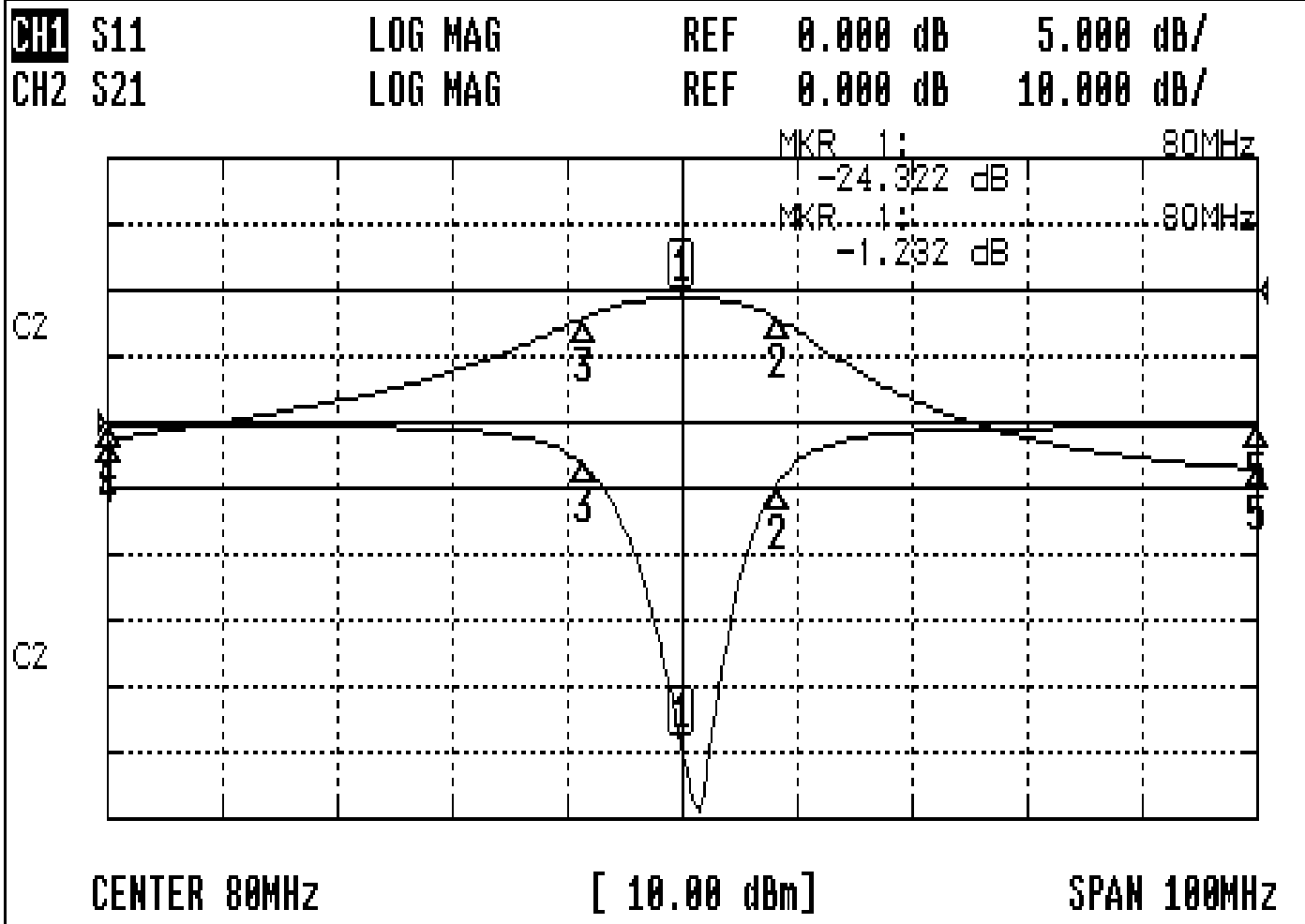


Approval	Supervisor	Designer	Aperture size
C.Y.Chang	C.S.Chang	W.W.Wang	7H2( 4*7.5)F 7H00LB6

TEMWELL CORPORATION

# Performance-TD67816B-80M

## 20508064DC



### CH1 MARKER LIST

1:	80.000MHz	-24.322 dB
2:	88.250MHz	-4.844 dB
3:	71.416MHz	-3.232 dB
4:	30.000MHz	-0.288 dB
5:	130.000MHz	-0.328 dB
6:		
7:		
8:		
9:		
10:		

### CH2 MARKER LIST

1:	80.000MHz	-1.232 dB
2:	88.250MHz	-4.215 dB
3:	71.416MHz	-4.204 dB
4:	30.000MHz	-22.768 dB
5:	130.000MHz	-26.967 dB
6:		
7:		
8:		
9:		
10:		