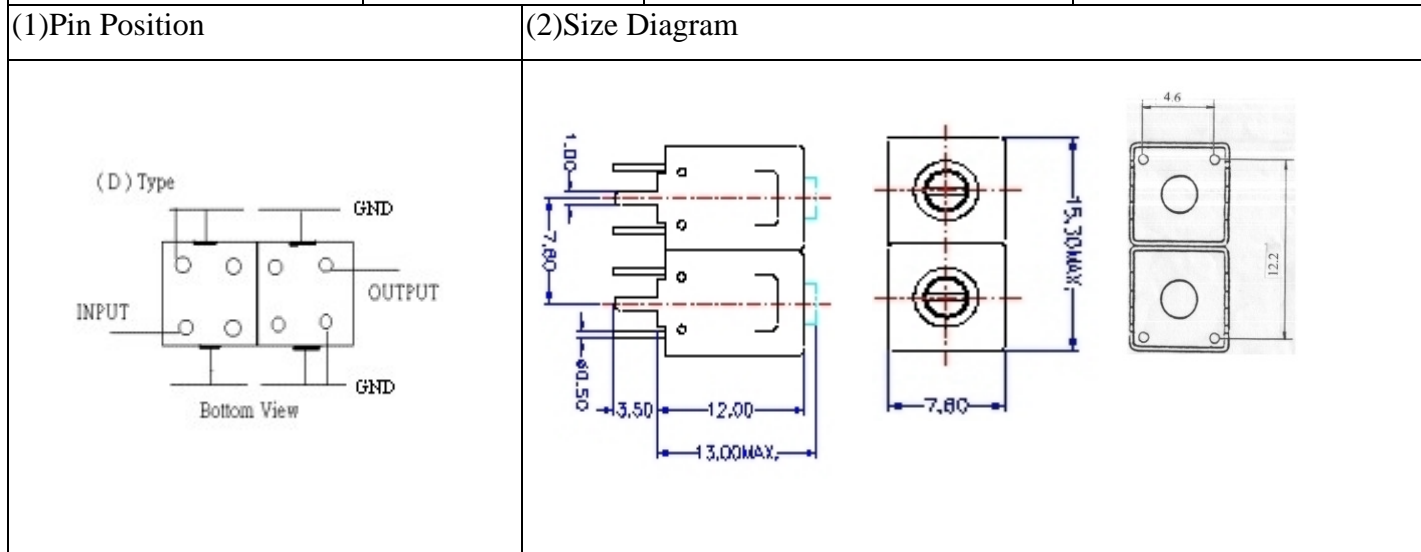


# VHF UHF Helical Filter Specification Sheet

Customer Name		Temwell's Part No.	TD6789D-325M
Approval No. /dated	20108046APR	Acceptable Specify Fo. Range	311~355M
Work Instruction No.	20108046B	Date	Sep.03.2001



(3) Electric Character

Item	Specify	Performance	
Center Freq.(Fo ) +/- 0.5 %	325 MHz	325 MHz	
Tunable Range	325±5 MHz	325±5 MHz	
Insertion Loss	Typ. 4.5 dB	3.41 dB	
-3 dB Bandwidth	Typ. 4 MHz	6 MHz	
Sensitivity (Attenuation)	Fo - 10 MHz	Typ. 17 dBc	20 dBc
	Fo + 10 MHz	Typ. 13 dBc	16 dBc
	Fo - ( )MHz	Typ. dBc	dBc
	Fo +( )MHz	Typ. dBc	dBc
Return Loss	Min. 12 dB	26.2 dB	
Ripple	< 1 dB	dB	
Impedance	In / Out : 50 Ω	In / Out : 50 Ω	

(4) Torque for Tuning Screw > 100gf · cm

(5) Temperature Condition:

Operating Temperature	0°C ~ +60°C
Storage Temperature	-20°C ~ +70°C

(6) Input Power > 1Watt

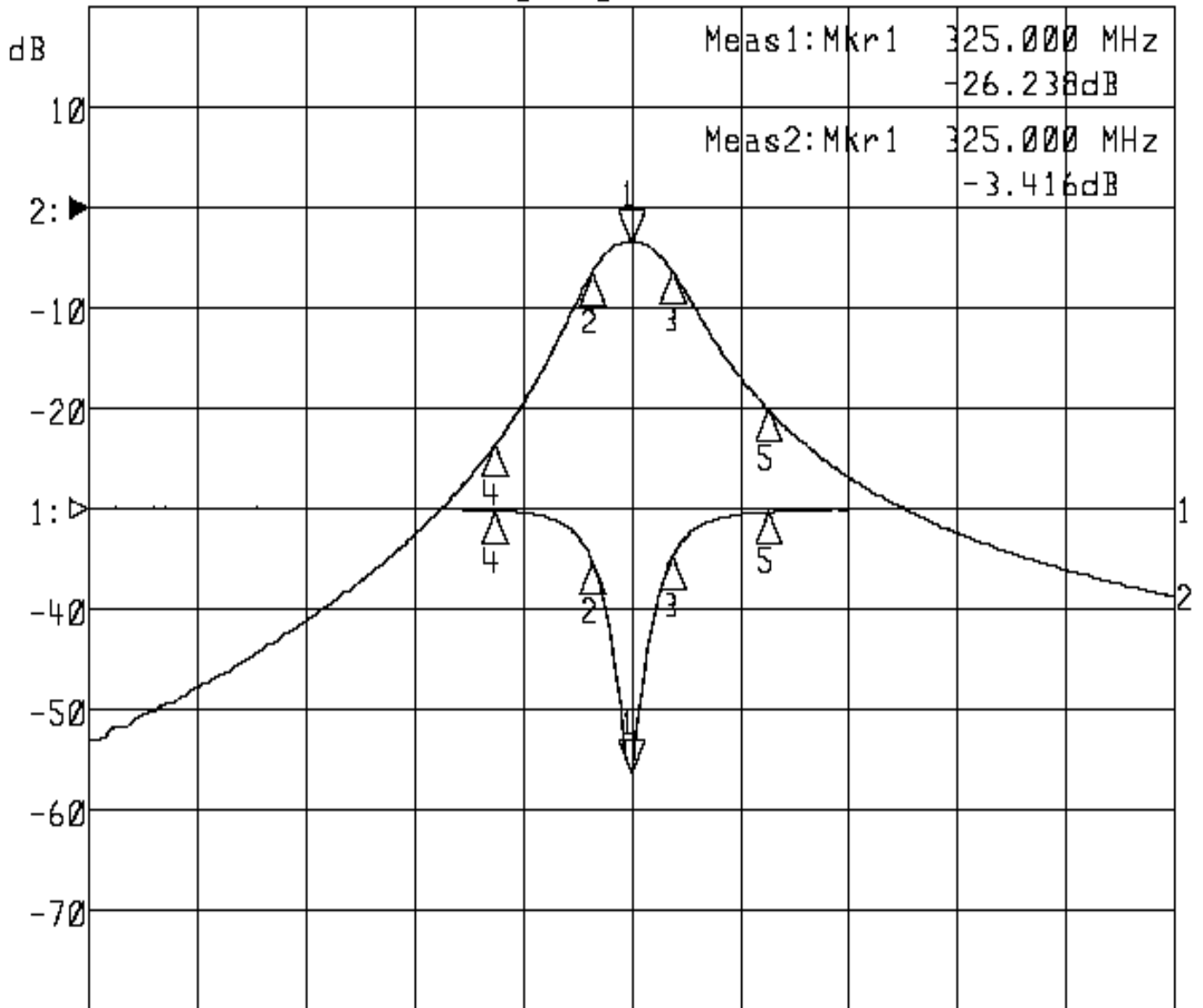
Approval	Supervisor	Designer	Aperture size
C. Y. Chang	C. S. Chang	C. S. Chang	7H2(4*4.65) 7H046LB4

TEMWELL CORPORATION

# Performance-TD6789D-325M

## 20108046B

▶1:S11 Refl Port1 Log Mag 10.0 dB/ Ref 0.00 dB C  
▶2:S21 Fwd Trans Log Mag 10.0 dB/ Ref 0.00 dB C



Center 325.000 MHz

Span 80.000 MHz

1:Mkr (MHz)	dB	2:Mkr (MHz)	dB
1> 325.0000	-26.238	1> 325.0000	-3.416
2: 322.0933	-5.168	2: 322.0933	-6.444
3: 328.0133	-4.790	3: 328.0133	-6.275
4: 315.0000	-0.237	4: 315.0000	-23.549
5: 335.0000	-0.351	5: 335.0000	-20.029