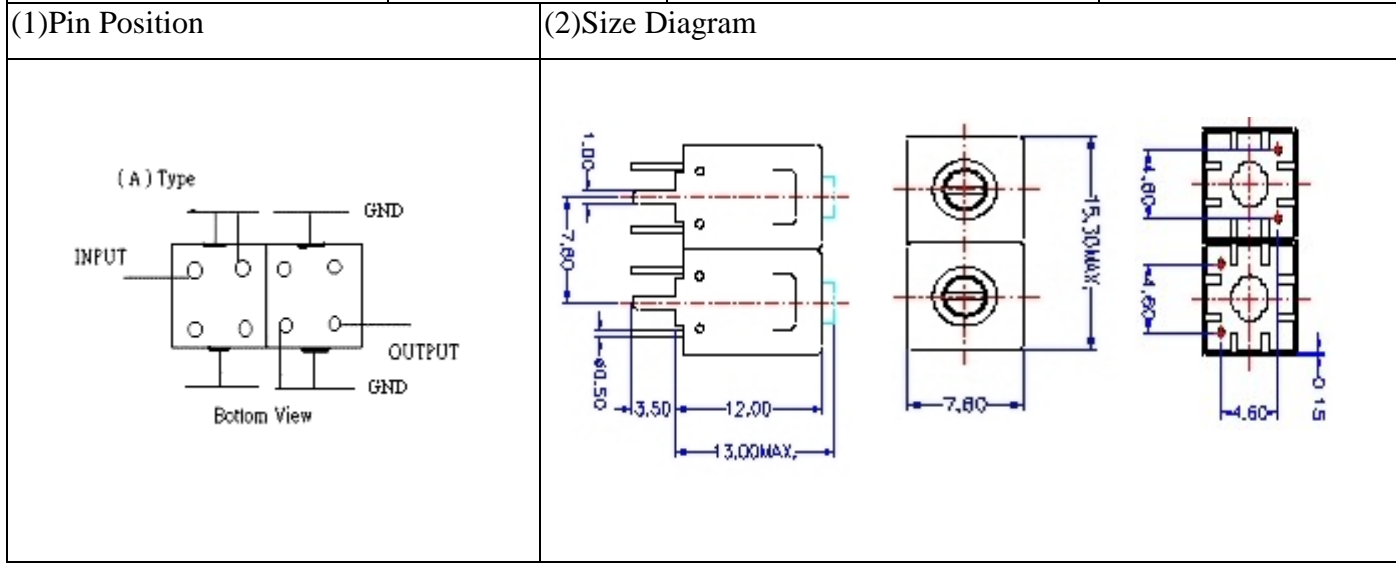


VHF UHF Helical Filter Specification Sheet

Customer Name		Temwell's Part No.	TD6790A-382.5M
Approval No. /dated	20203013B	Acceptable Specify Fo. Range	356~400M
Work Instruction No.	20203013B	Date	Mar.6.2002



(3) Electric Charasteric

Item	Specify	Performance	
Center Freq.(Fo) +/- 0.5 %	382.5 MHz	382.5 MHz	
Tunable Range	382.5±4 MHz	382.5±4 MHz	
Insertion Loss	Typ. 4.0 dB	3.25 dB	
-3 dB Bandwidth	Typ. 5 MHz	7 MHz	
Sensitivity (Attenuation)	Fo - 40 MHz	Typ. 51 dBc	53 dBc
	Fo + 40 MHz	Typ. 38 dBc	40 dBc
	Fo - ()MHz	Typ. dBc	dBc
	Fo +()MHz	Typ. dBc	dBc
Return Loss	Min. 12 dB	15.7 dB	
Ripple	< 1 dB	dB	
Impedance	In / Out : 50 Ω	In / Out : 50 Ω	
(4) Torque for Tuning Screw	> 100gf • cm		

(5) Temperature Condition:

Operating Temperature	0°C ~ +60°C
Storage Temperature	-20°C ~ +70°C
(6) Input Power	> 1 Watt

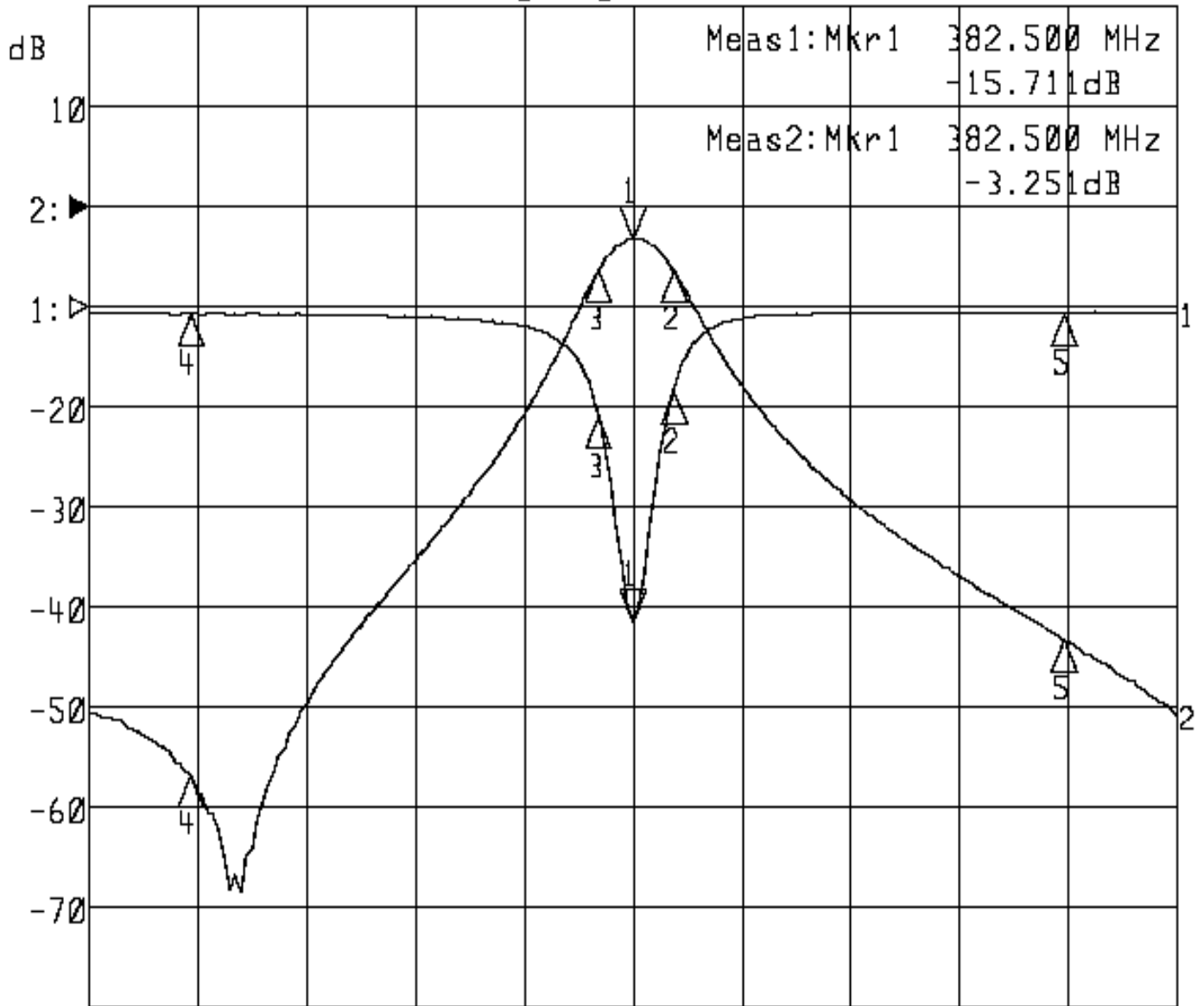
Approval	Supervisor	Designer	Aperture size
C. Y. Chang	C. S. Chang	C. S. Chang	7H2S(4*4.65) 7H046LB4

TEMWELL CORPORATION

Performance-TD6790A-382.5M

20203013B

▶1:S11 Refl Port1 Log Mag 5.0 dB/ Ref 0.00 dB C
▶2:S21 Fwd Trans Log Mag 10.0 dB/ Ref 0.00 dB C



Center 382.500 MHz

Span 100.000 MHz

1:Mkr (MHz)	dB	2:Mkr (MHz)	dB
1> 382.5000	-15.711	1> 382.5000	-3.251
2: 386.2000	-4.191	2: 386.2000	-6.246
3: 379.3667	-5.438	3: 379.3667	-6.255
4: 342.0000	-0.327	4: 342.0000	-56.848
5: 422.0000	-0.356	5: 422.0000	-43.240