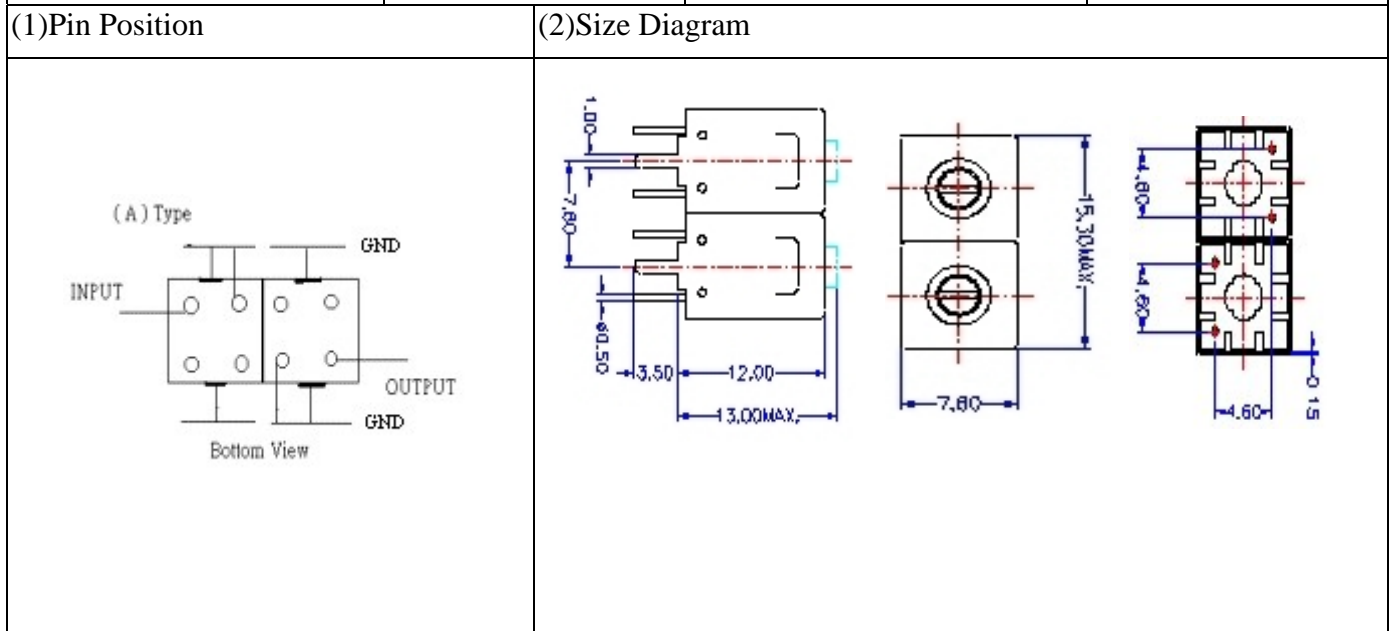


# VHF UHF Helical Filter Specification Sheet

Customer Name		Temwell's Part No.	TD6820A-180M
Approval No. /dated	20107038B	Acceptable Specify Range	166~195MHz
Work Instruction No.	20107038B	Date	July.19.2001



(3)Electric Charasteric

Item	Specify	Performance	
Center Freq.(Fo ) +/- 0.75 %	180 MHz	180 MHz	
Tunable Range	180±2 MHz	180±2 MHz	
Insertion Loss	Typ. 3.5 Db	2.76 dB	
-3 dB Bandwidth	Typ. 3 MHz	5 MHz	
Sensitivity (Attenuation )	Fo - 10 MHz	Typ. 14 dBc	17 dBc
	Fo + 10 MHz	Typ. 17 dBc	20 dBc
	Fo - ( )MHz	Typ. dBc	dBc
	Fo +( )MHz	Typ. dBc	dBc
Return Loss	Min. 12 dB	21.3 dB	
Ripple	< 1 dB	dB	
Impedance	In / Out : 50 Ω	In / Out : 50 Ω	

(4)Torque for Tuning Screw > 100gf • cm

(5)Temperature Condition:

Operating Temperature	-30°C ~ +70°C
Storage Temperature	-30°C ~ +80°C

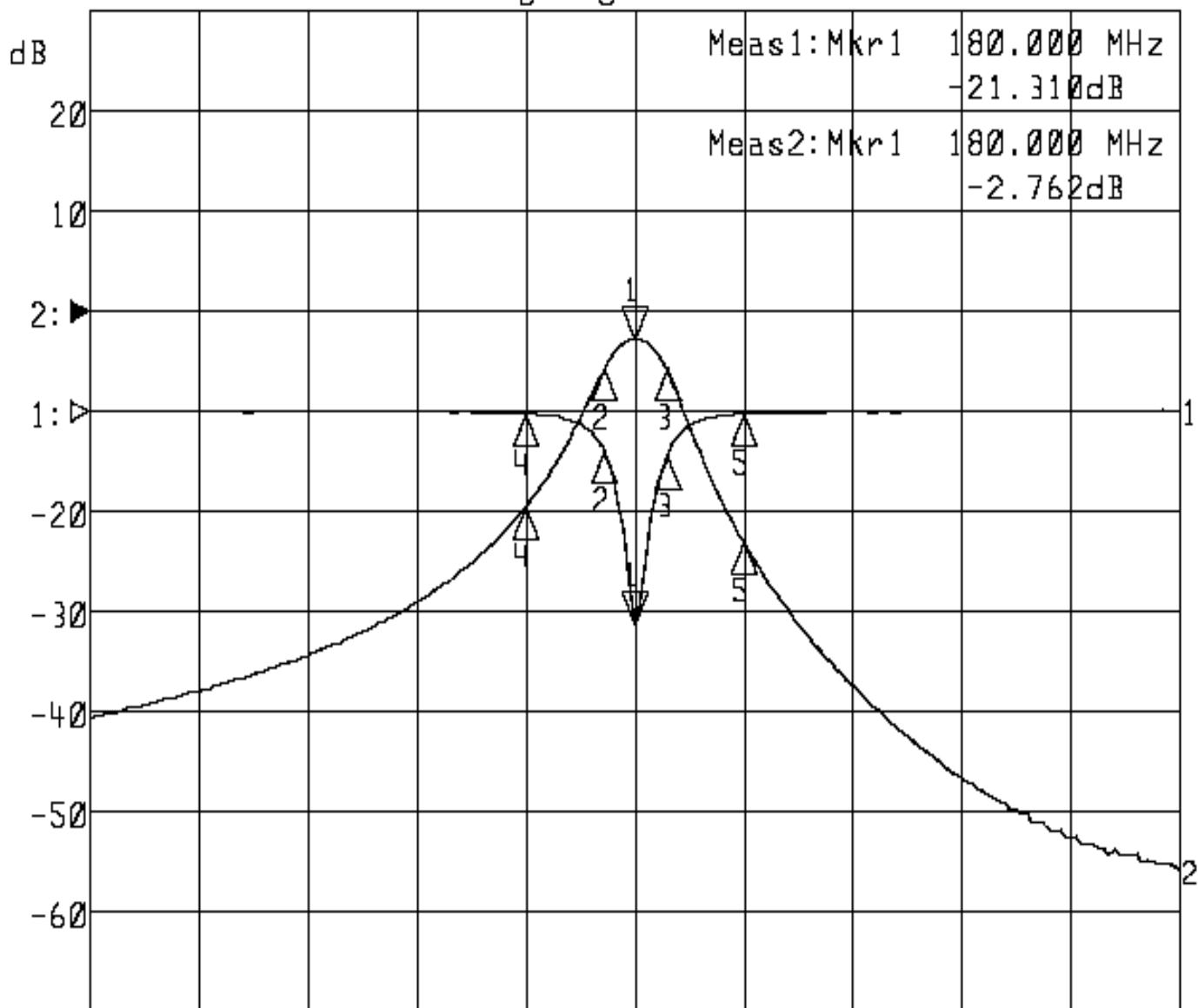
(6)Input Power > 1Watt

Approval C.Y.Chang	Supervisor C.S.Chang	Designer C.S.Chang	Aperture size 7H2S(4*5.5) 7H024LB4
-----------------------	-------------------------	-----------------------	--

# Performance- TD6820A-180M

## 20107038B

▶1: S11 Refl Port1    Log Mag    10.0 dB/ Ref    0.00 dB    C  
 ▶2: S21 Fwd Trans    Log Mag    10.0 dB/ Ref    0.00 dB    C



Center 180.000 MHz

Span 100.000 MHz

1: Mkr (MHz)	dB	2: Mkr (MHz)	dB
1> 180.0000	-21.310	1> 180.0000	-2.762
2: 177.1667	-3.928	2: 177.1667	-5.799
3: 182.9000	-4.570	3: 182.9000	-5.748
4: 170.0000	-0.252	4: 170.0000	-19.582
5: 190.0000	-0.209	5: 190.0000	-23.030