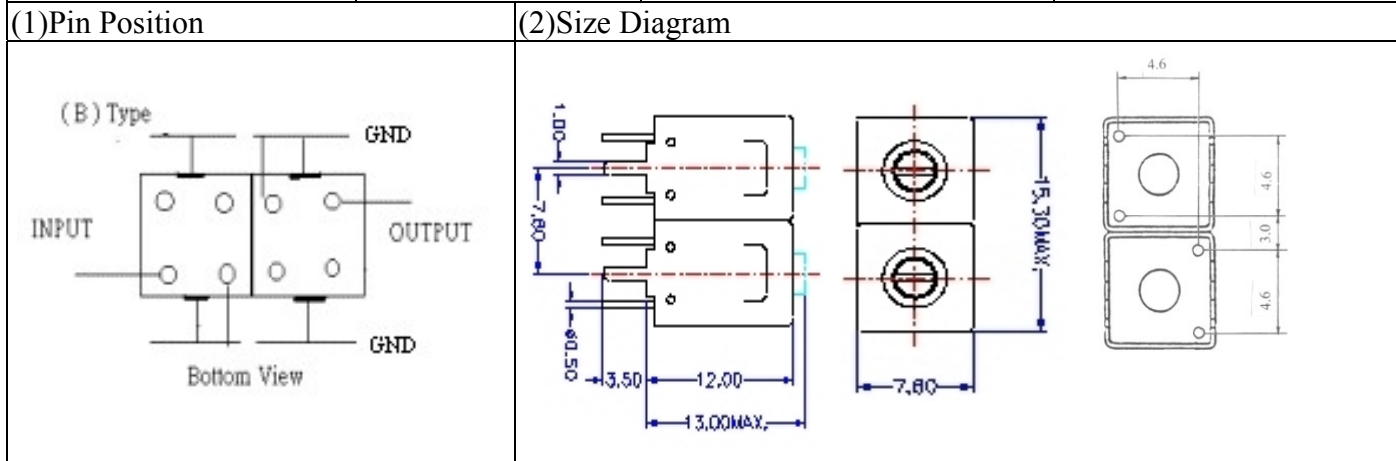


VHF UHF Helical Filter Specification Sheet

Customer Name		Temwell's Part No.	TD6876B-290M
Approval No. /dated	20507049APR	Acceptable Specify Fo. Range	276~310MHz
Work Instruction No.	20507049DC	Date	Jul.21.2005



(3) Electric Characteristic

Item	Specify	Performance	
Center Freq.(Fo) +/- 0.75 %	290 MHz	290 MHz	
Tunable Range	290±4 MHz	290±4 MHz	
Insertion Loss	Typ. 4.0 dB	2.96 dB	
-3 dB Bandwidth	Typ. 5 MHz	6.7 MHz	
Sensitivity (Attenuation)	Fo - 20 MHz	Typ. 29 dBc	32 dBc
	Fo + 20 MHz	Typ. 23 dBc	26 dBc
	Fo - ()MHz	Typ. dBc	dBc
	Fo +()MHz	Typ. dBc	dBc
Return Loss	Min. 12 dB	21.5 dB	
Ripple	< 1 dB	dB	
Impedance	In / Out : 50 Ω	In / Out : 50 Ω	

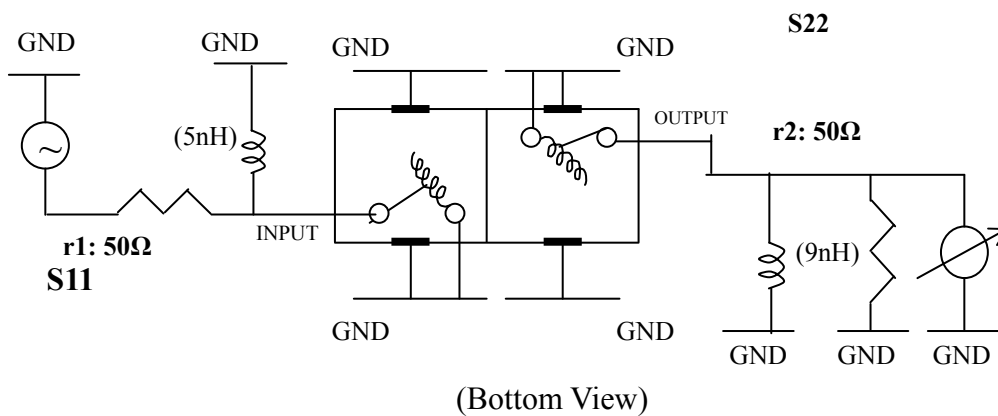
(4) Torque for Tuning Screw > 100gf · cm

(5) Temperature Condition:

Operating Temperature	-30°C ~ +70°C
Storage Temperature	-30°C ~ +80°C

(6) Input Power > 1Watt

(7) Measuring Circuit: ※Easy to match Impedance 50Ω by parallel with about 5 nH / 9 nH.

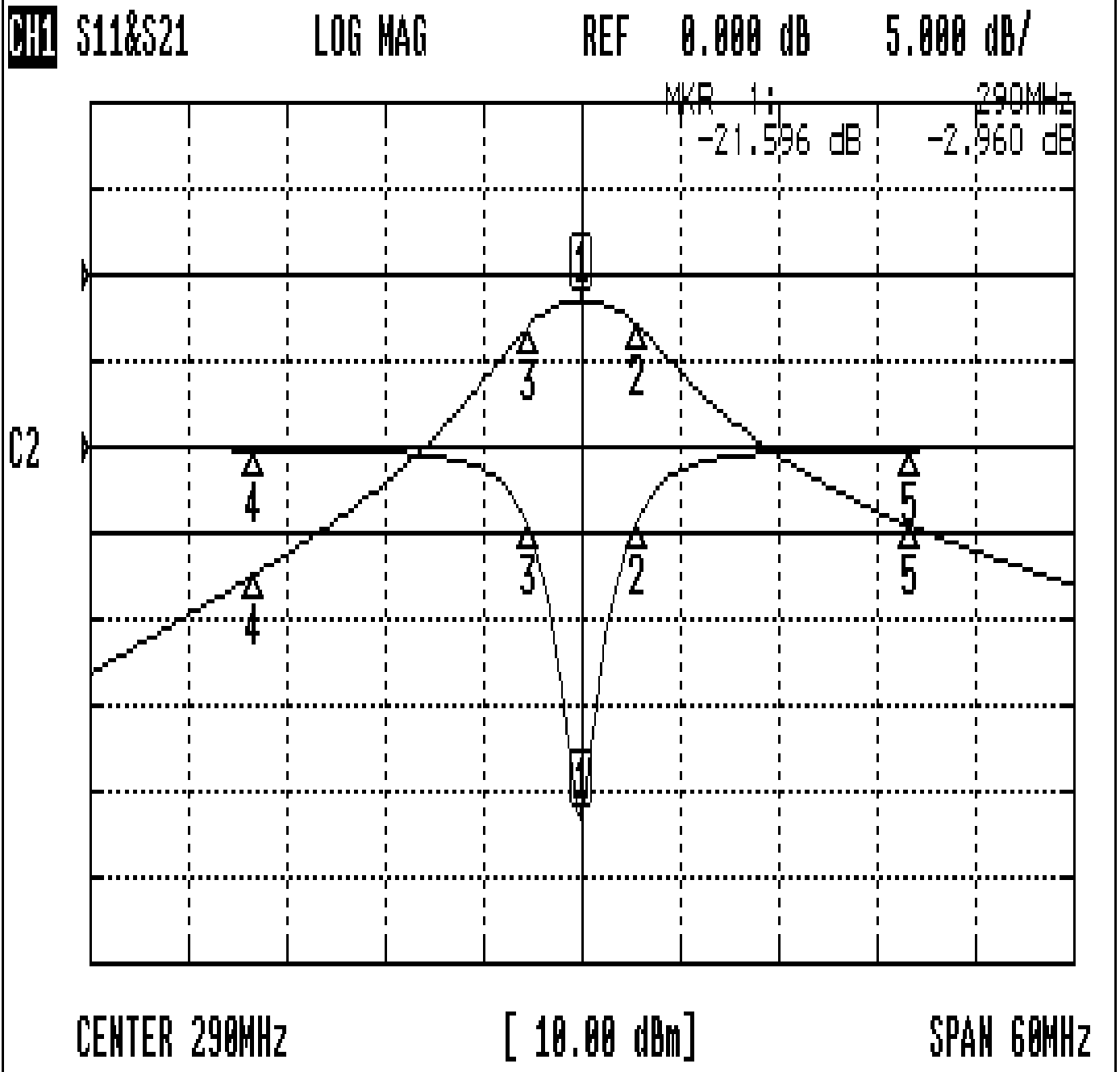


Approval	Supervisor	Designer	Aperture size
C.Y.Chang	C.S.Chang	C.S.Chang	7H2S(4*4.5) 7H024RB4

TEMWELL CORPORATION

Performance-TD6876B-290M

20507049DC



CH1 MARKER LIST

1:	290.000MHz	-21.596 dB	-2.960 dB
2:	293.400MHz	-4.267 dB	-5.939 dB
3:	286.750MHz	-4.708 dB	-5.967 dB
4:	270.000MHz	-0.145 dB	-34.869 dB
5:	310.000MHz	-0.139 dB	-29.119 dB