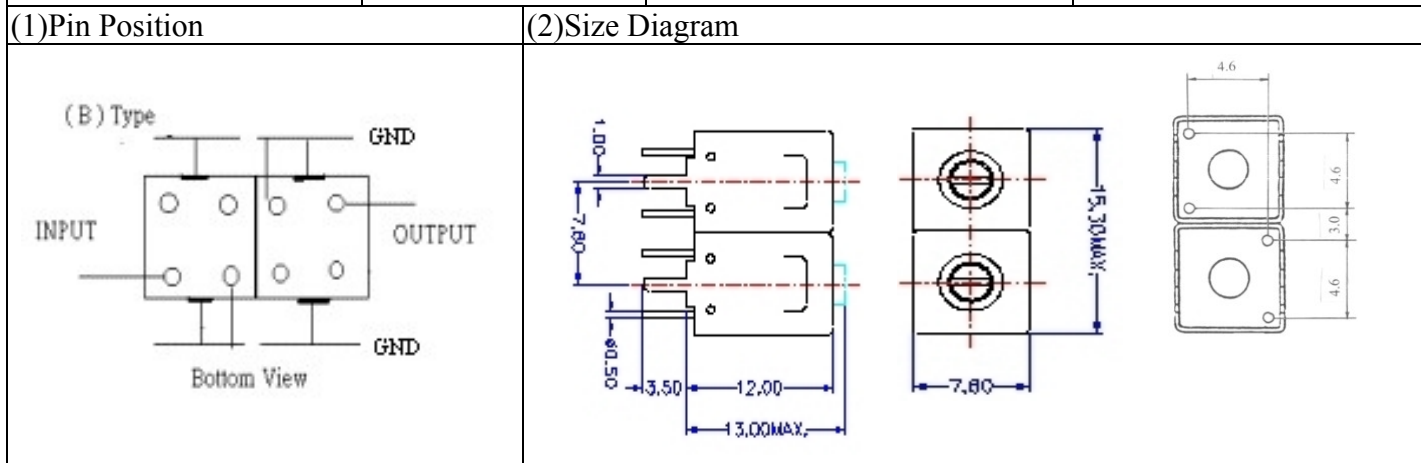


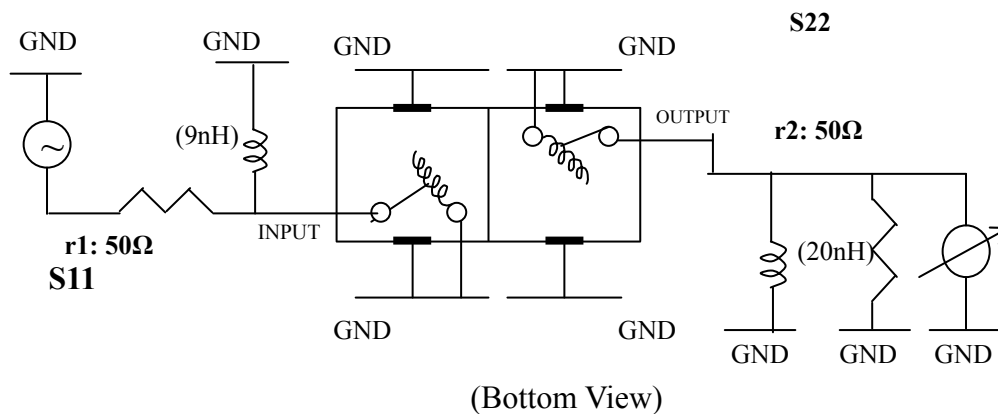
VHF UHF Helical Filter Specification Sheet

Customer Name		Temwell's Part No.	TD6877B-247.5M
Approval No. /dated	20507050APR	Acceptable Specify Fo. Range	246~275MHz
Work Instruction No.	20507050DC	Date	Jul.20.2005



(3) Electric Character			
Item		Specify	Performance
Center Freq.(Fo) +/- 0.75 %		247.5 MHz	247.5 MHz
Tunable Range		247.5±4 MHz	247.5±4 MHz
Insertion Loss		Typ. 3.5 dB	2.84 dB
-3 dB Bandwidth		Typ. 5 MHz	7.1 MHz
Sensitivity (Attenuation)	Fo - 20 MHz	Typ. 20 dBc	23 dBc
	Fo + 20 MHz	Typ. 30 dBc	33 dBc
	Fo - ()MHz	Typ. dBc	dBc
	Fo + ()MHz	Typ. dBc	dBc
Return Loss		Min. 12 dB	22.2 dB
Ripple		< 1 dB	dB
Impedance		In / Out : 50 Ω	In / Out : 50 Ω
(4) Torque for Tuning Screw		> 100gf • cm	
(5) Temperature Condition:			
Operating Temperature		-30°C ~ +70°C	
Storage Temperature		-30°C ~ +80°C	
(6) Input Power		> 1 Watt	

(7) Measuring Circuit: ※Easy to match Impedance 50Ω by parallel with about 9nH / 20 nH.

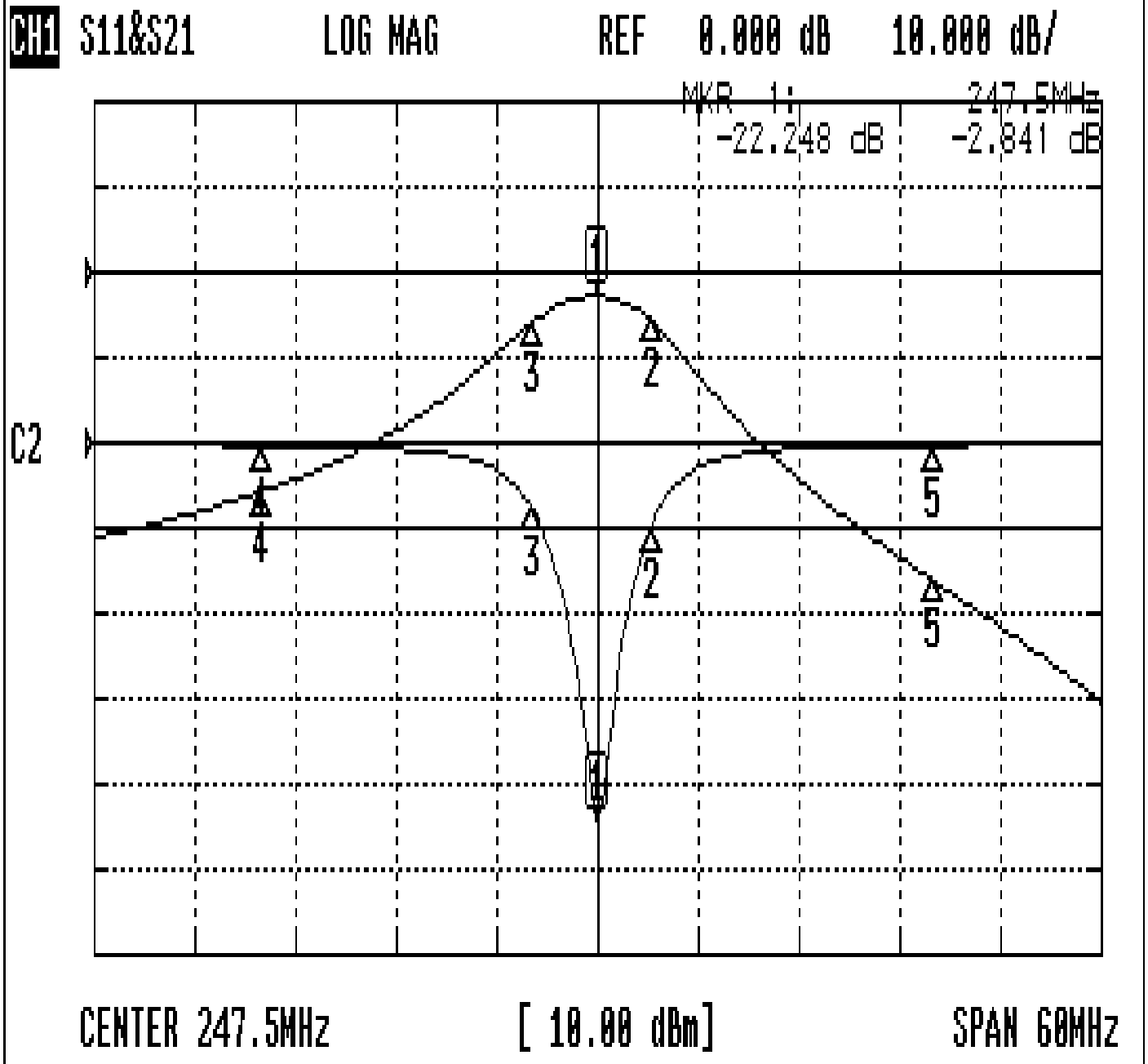


Approval	Supervisor	Designer	Aperture size
C.Y. Chang	C.S. Chang	C.S. Chang	7H2S(4*4.65) 7H024LB4

TEMWELL CORPORATION

Performance-TD6877B-247.5M

20507050DC



CH1 MARKER LIST

1:	247.500MHz	-22.248 dB	-2.841 dB
2:	250.750MHz	-4.854 dB	-5.799 dB
3:	243.650MHz	-3.879 dB	-5.882 dB
4:	227.500MHz	-0.152 dB	-25.644 dB
5:	267.500MHz	-0.147 dB	-36.195 dB