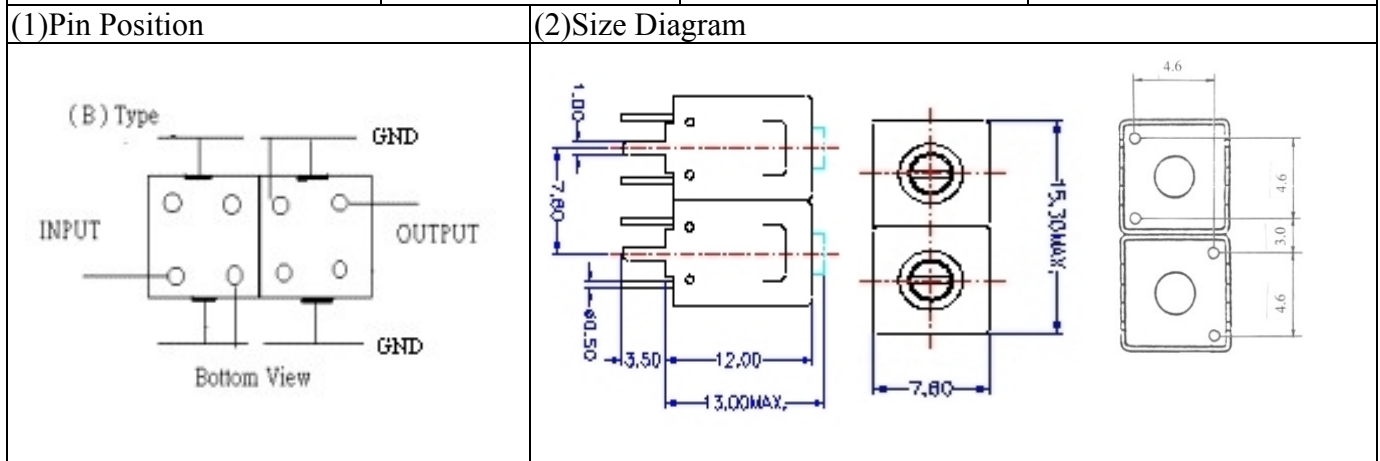


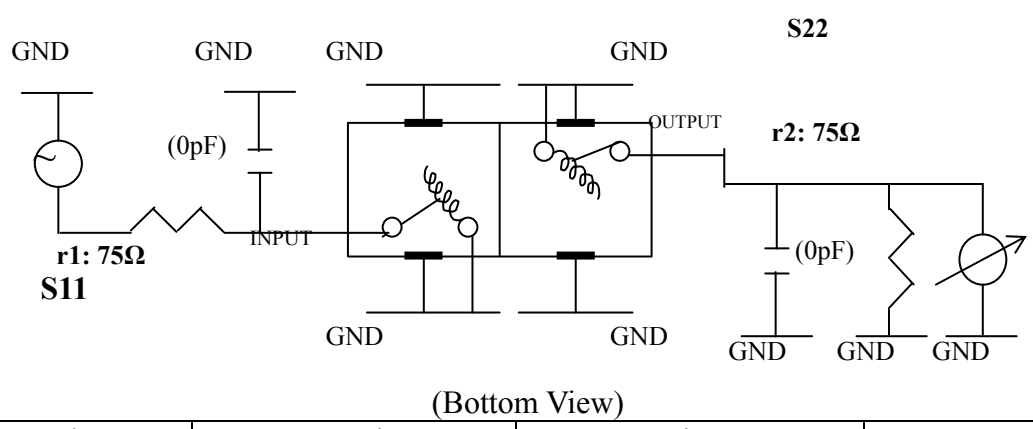
VHF UHF Helical Filter Specification Sheet

Customer Name		Temwell's Part No.	TDL6201B-55.25M
Approval No. /dated	0612041APR	Acceptable Specify Fo Range	46~55 MHz
Work Instruction No.	0612041DC	Date	Dec.28.2006



(3) Electric Character			
Item		Specify	Performance
Center Freq.(Fo) +/- 0.5 %		55.25 MHz	55.25 MHz
Tunable Range		55.25±2 MHz	55.25±2 MHz
Insertion Loss		Typ. 2.5 dB	1.77 dB
-3 dB Bandwidth		Typ. 6 MHz	6.8 MHz
Sensitivity (Attenuation)	Fo - 30 MHz	Typ. 27 dB	30 dB
	Fo + 30 MHz	Typ. 31 dB	34 dB
	Fo - ()MHz	Typ. dB	dB
	Fo +()MHz	Typ. dB	dB
Return Loss		Min. 12 dB	21.6 dB
Ripple		< 1 dB	dB
Impedance		In / Out : 75 Ω	In / Out : 75 Ω
(4) Torque for Tuning Screw		> 100gf · cm	
(5) Temperature Condition:			
Operating Temperature		0°C ~ +60°C	
Storage Temperature		-20°C ~ +70°C	
(6) Input Power		> 1 Watt	

(7) Measuring Circuit: ※Easy to match Impedance 75Ω by parallel with about (0) pF.



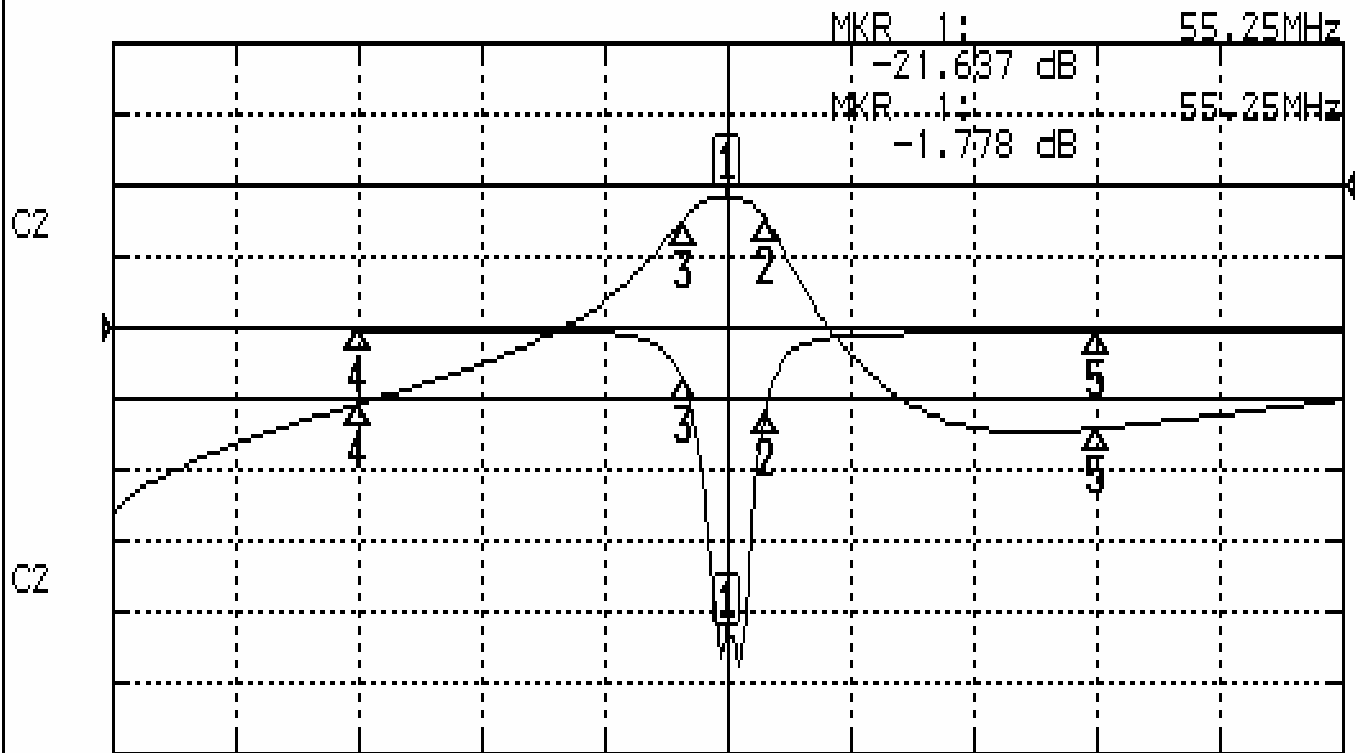
Approval	Supervisor	Designer	Aperture size
C.Y.Chang	C.S.Chang	W.W.Wang	7H2(4*5.5)F 7H00LB6

TEMWELL CORPORATION

Performance-TDL6201B-55.25M

0612041DC

CH1 S11 LOG MAG REF 0.000 dB 5.000 dB/
CH2 S21 LOG MAG REF 0.000 dB 10.000 dB/



CENTER 55.25MHz

[10.00 dBm]

SPAN 100MHz

CH1 MARKER LIST

1:	55.250MHz	-21.640 dB
2:	58.416MHz	-5.810 dB
3:	51.666MHz	-3.748 dB
4:	25.250MHz	-0.145 dB
5:	85.250MHz	-0.351 dB

CH2 MARKER LIST

1:	55.250MHz	-1.778 dB
2:	58.416MHz	-4.765 dB
3:	51.666MHz	-4.779 dB
4:	25.250MHz	-30.747 dB
5:	85.250MHz	-34.261 dB