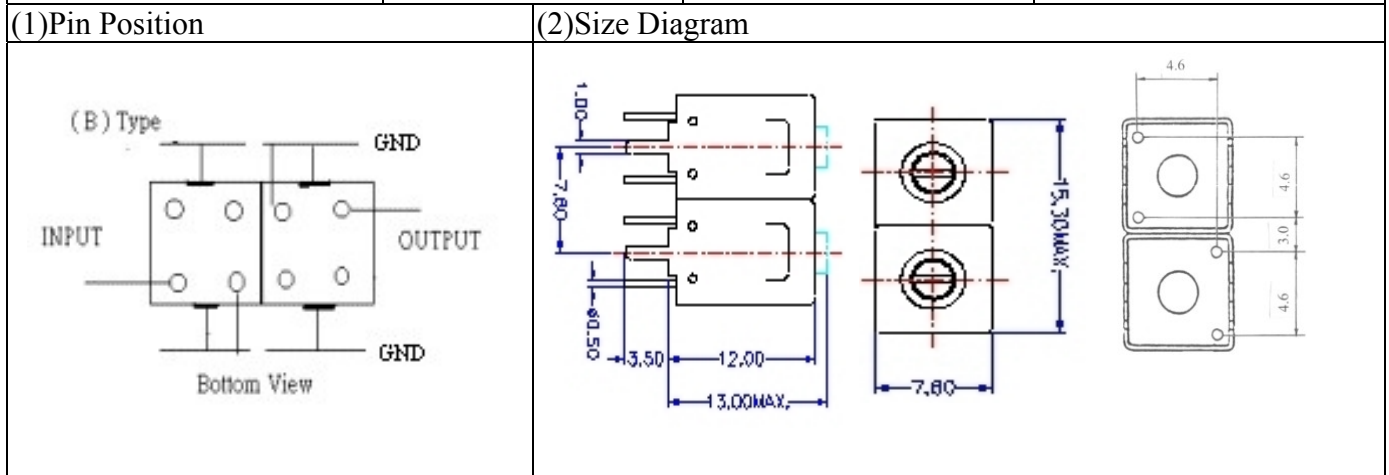


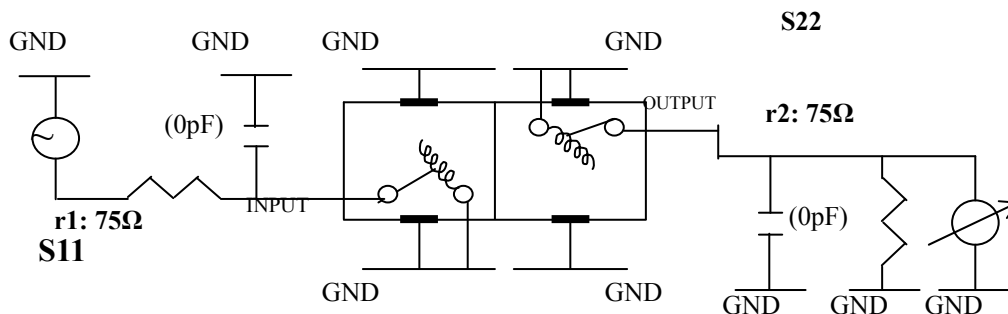
# VHF UHF Helical Filter Specification Sheet

Customer Name		Temwell's Part No.	TDL6202B-61.25M
Approval No. /dated	0612042APR	Acceptable Specify Fo Range	56~67 MHz
Work Instruction No.	0612042DC	Date	Dec.28.2006



(3) Electric Character			
Item	Specify	Performance	
Center Freq.(Fo ) +/- 0.5 %	61.25 MHz	61.25 MHz	
Tunable Range	61.25±2 MHz	61.25±2 MHz	
Insertion Loss	Typ. 2.5 dB	1.77 dB	
-3 dB Bandwidth	Typ. 6 MHz	7.3 MHz	
Sensitivity (Attenuation )	Fo - 30 MHz	Typ. 25 dB	28 dB
	Fo + 30 MHz	Typ. 31 dB	34 dB
	Fo - ( )MHz	Typ. dB	dB
	Fo +( )MHz	Typ. dB	dB
Return Loss	Min. 12 dB	19.7 dB	
Ripple	< 1 dB	dB	
Impedance	In / Out : 75 Ω	In / Out : 75 Ω	
(4) Torque for Tuning Screw		> 100gf · cm	
(5) Temperature Condition:			
Operating Temperature	0°C ~ +60°C		
Storage Temperature	-20°C ~ +70°C		
(6) Input Power		> 1Watt	

(7) Measuring Circuit: ※Easy to match Impedance 75Ω by parallel with about (0) pF.



(Bottom View)

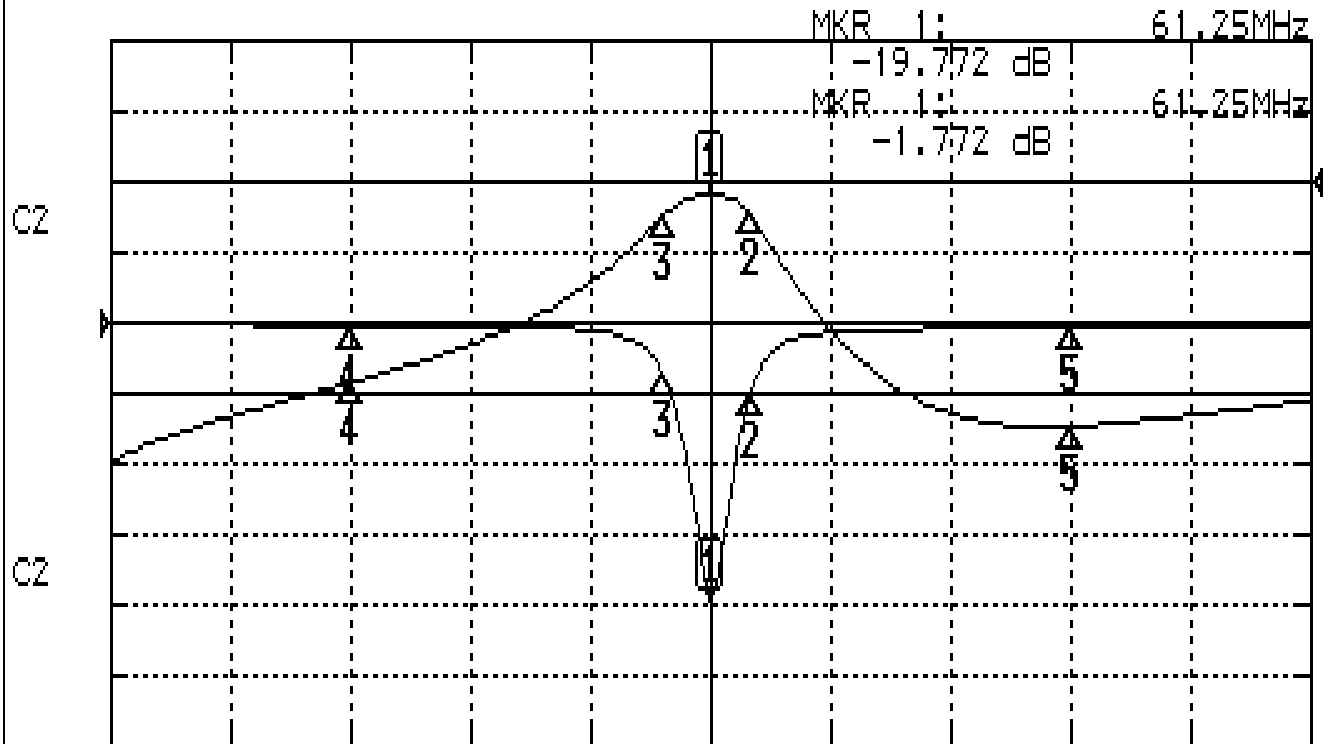
Approval	Supervisor	Designer	Aperture size
C.Y.Chang	C.S.Chang	W.W.Wang	7H2( 4*5.35)F 7H00LB6

TEMWELL CORPORATION

# Performance-TDL6202B-61.25M

## 0612042DC

CH1 S11 LOG MAG REF 0.000 dB 5.000 dB/  
CH2 S21 LOG MAG REF 0.000 dB 10.000 dB/



CENTER 61.25MHz

[ 10.00 dBm ]

SPAN 100MHz

### CH1 MARKER LIST

1:	61.250MHz	-19.772 dB
2:	64.666MHz	-4.948 dB
3:	57.333MHz	-3.605 dB
4:	61.250MHz	-0.177 dB
5:	91.250MHz	-0.377 dB

### CH2 MARKER LIST

1:	61.250MHz	-1.772 dB
2:	64.666MHz	-4.821 dB
3:	57.333MHz	-4.740 dB
4:	61.250MHz	-28.447 dB
5:	91.250MHz	-34.616 dB