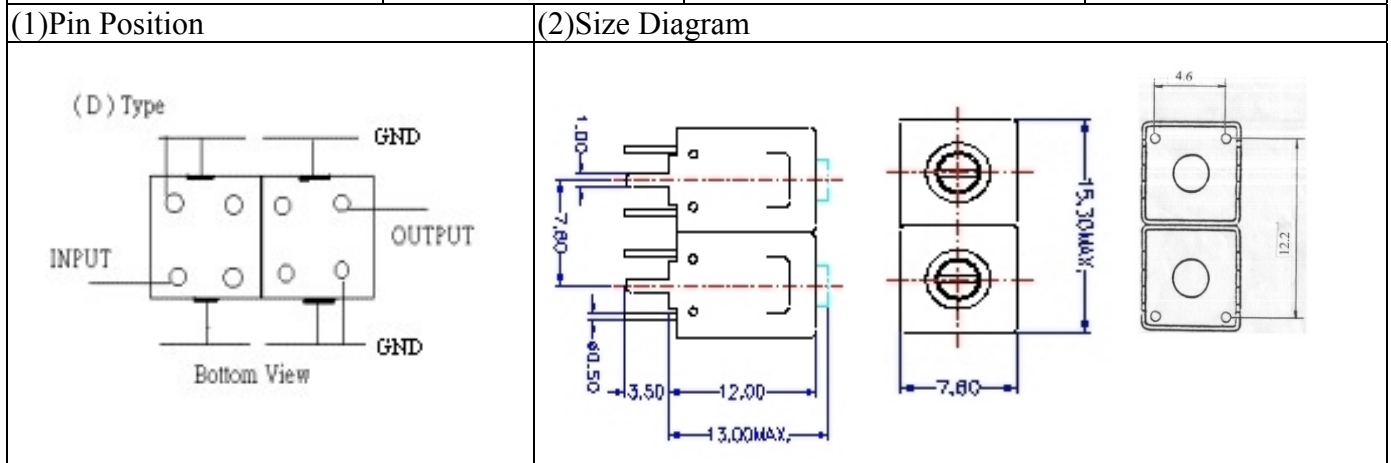


VHF UHF Helical Filter Specification Sheet

Customer Name		Temwell's Part No.	TDL6203D-67.25M
Approval No. /dated	0612043APR	Acceptable Specify Fo Range	56~67 MHz
Work Instruction No.	0612043DC	Date	Dec.26.2006



(3) Electric Charasteric

Item	Specify	Performance	
Center Freq.(Fo) +/- 0.5 %	67.25 MHz	67.25 MHz	
Tunable Range	67.25±2 MHz	67.25±2 MHz	
Insertion Loss	Typ. 2.5 dB	1.68 dB	
-3 dB Bandwidth	Typ. 6 MHz	7.2 MHz	
Sensitivity (Attenuation)	Fo - 30 MHz	Typ. 26 dB	29 dB
	Fo + 30 MHz	Typ. 33 dB	36 dB
	Fo - ()MHz	Typ. dB	DB
	Fo +()MHz	Typ. dB	dB
Return Loss	Min. 12 dB	27.3 dB	
Ripple	< 1 dB	dB	
Impedance	In / Out : 75 Ω	In / Out : 75 Ω	

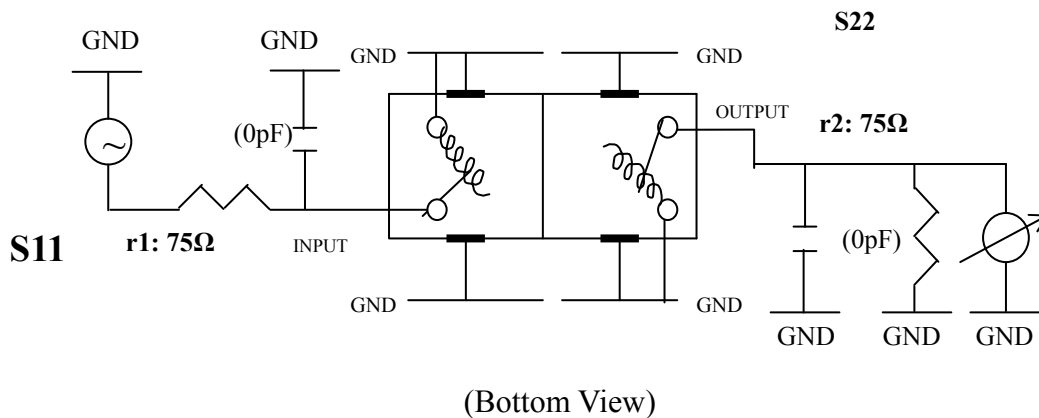
(4) Torque for Tuning Screw > 100gf · cm

(5) Temperature Condition:

Operating Temperature	0°C ~ +60°C
Storage Temperature	-20°C ~ +70°C

(6) Input Power > 1Watt

(7) Measuring Circuit: ※Easy to match Impedance 75Ω by parallel with about (0) pF.



Approval	Supervisor	Designer	Aperture size
C.Y.Chang	C.S.Chang	W.W.Wang	7H2 (4*5.35)F 7H00LB6

TEMWELL CORPORATION

TEMWELL

Form10-7H2D Vision D

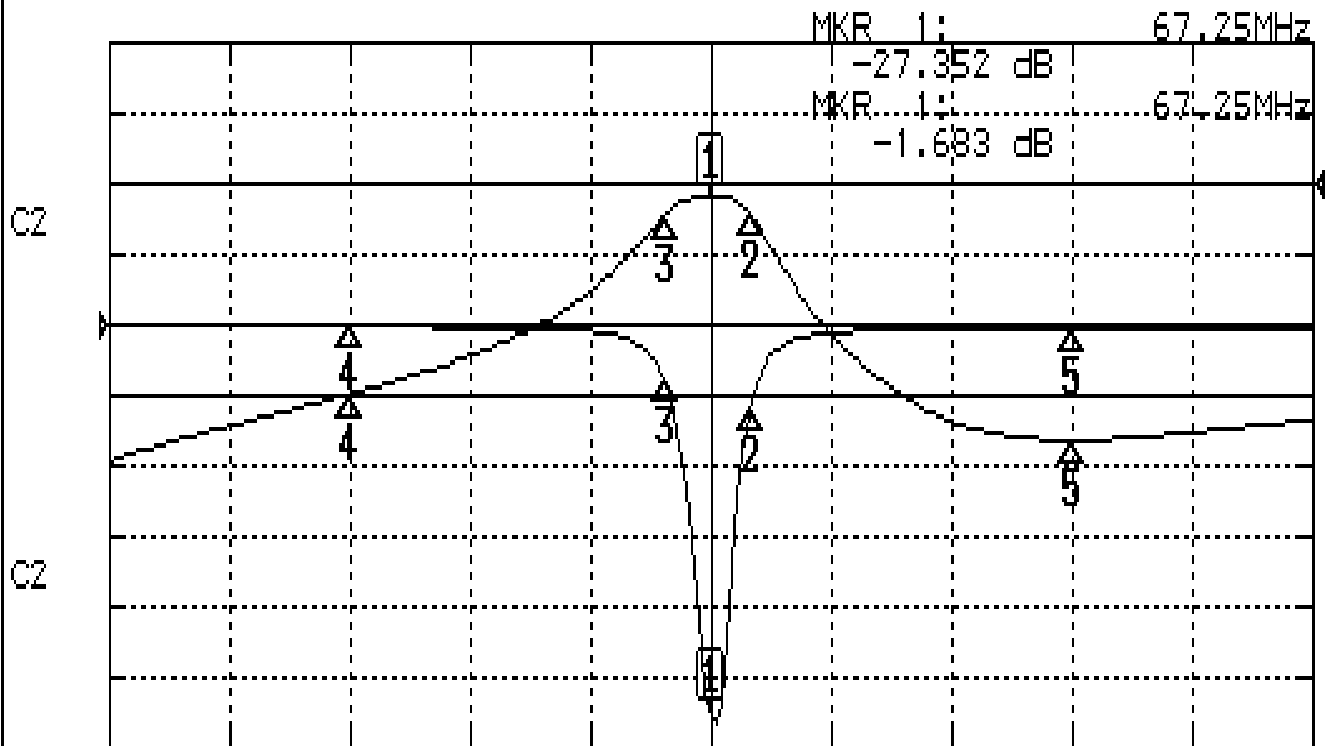
RP

W.W.Wang

Performance-TDL6203D-67.25M

0612043DC

CH1 S11 LOG MAG REF 0.000 dB 5.000 dB/
CH2 S21 LOG MAG REF 0.000 dB 10.000 dB/



CENTER 67.25MHz

[10.00 dBm]

SPAN 100MHz

CH1 MARKER LIST

1:	67.250MHz	-27.370	dB
2:	70.666MHz	-15.574	dB
3:	63.416MHz	-13.959	dB
4:	37.250MHz	-10.121	dB
5:	97.250MHz	-0.252	dB

CH2 MARKER LIST

1:	67.250MHz	-1.683	dB
2:	70.666MHz	-4.535	dB
3:	63.416MHz	-4.571	dB
4:	37.250MHz	-29.792	dB
5:	97.250MHz	-36.318	dB