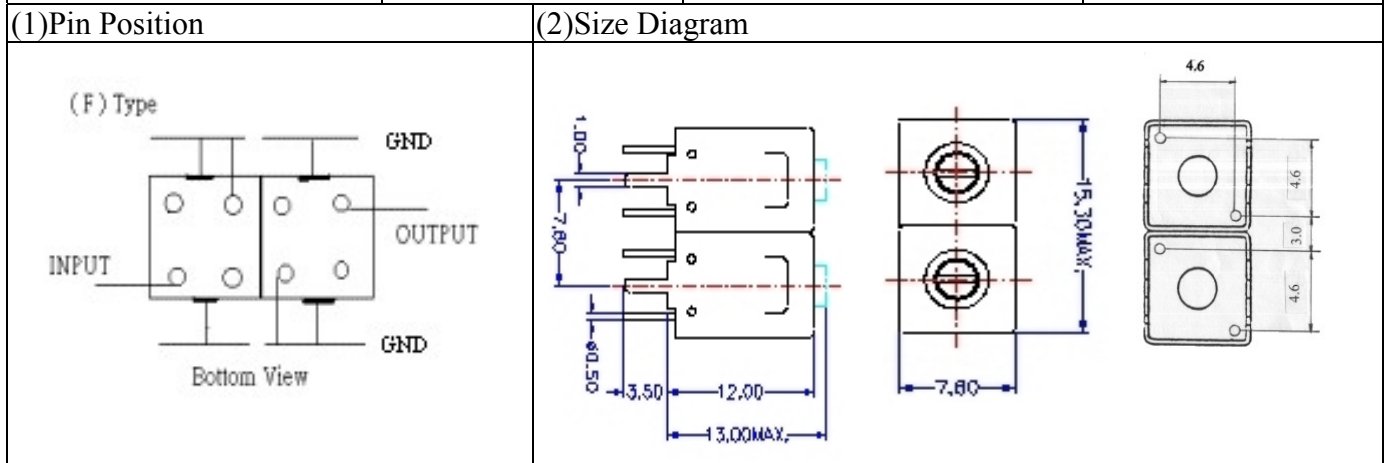


VHF UHF Helical Filter Specification Sheet

Customer Name		Temwell's Part No.	TDL6205F-83.25M
Approval No. /dated	0612045APR	Acceptable Specify Fo Range	76~85 MHz
Work Instruction No.	0612045DC	Date	Dec.26.2006



(3) Electric Charasteric

Item	Specify	Performance	
Center Freq.(Fo) +/- 0.5 %	83.25 MHz	83.25 MHz	
Tunable Range	83.25±2 MHz	83.25±2 MHz	
Insertion Loss	Typ. 3.0 dB	1.98 dB	
-3 dB Bandwidth	Typ. 6 MHz	6.6 MHz	
Sensitivity (Attenuation)	Fo - 20 MHz	Typ. 25 dB	28 dB
	Fo + 20 MHz	Typ. 28 dB	31 dB
	Fo - ()MHz	Typ. dB	DB
	Fo +()MHz	Typ. dB	dB
Return Loss	Min. 12 dB	15.5 dB	
Ripple	< 1 dB	dB	
Impedance	In / Out : 75 Ω	In / Out : 75 Ω	

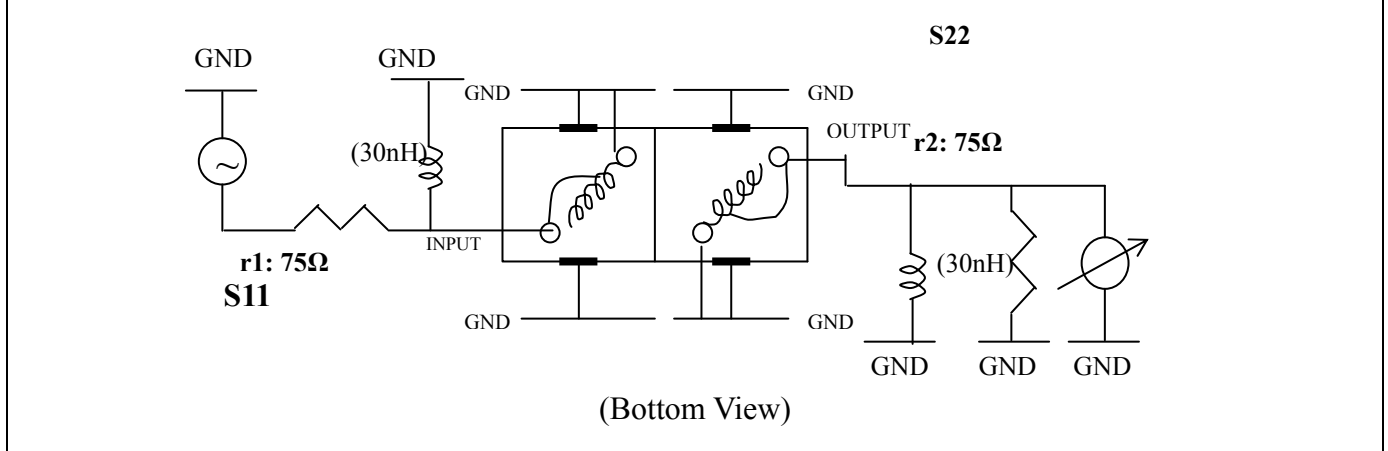
(4) Torque for Tuning Screw > 100gf · cm

(5) Temperature Condition:

Operating Temperature	0°C ~ +60°C
Storage Temperature	-20°C ~ +70°C

(6) Input Power > 1Watt

(7) Measuring Circuit: ※Easy to match Impedance /75Ω by parallel with about (30) nH.



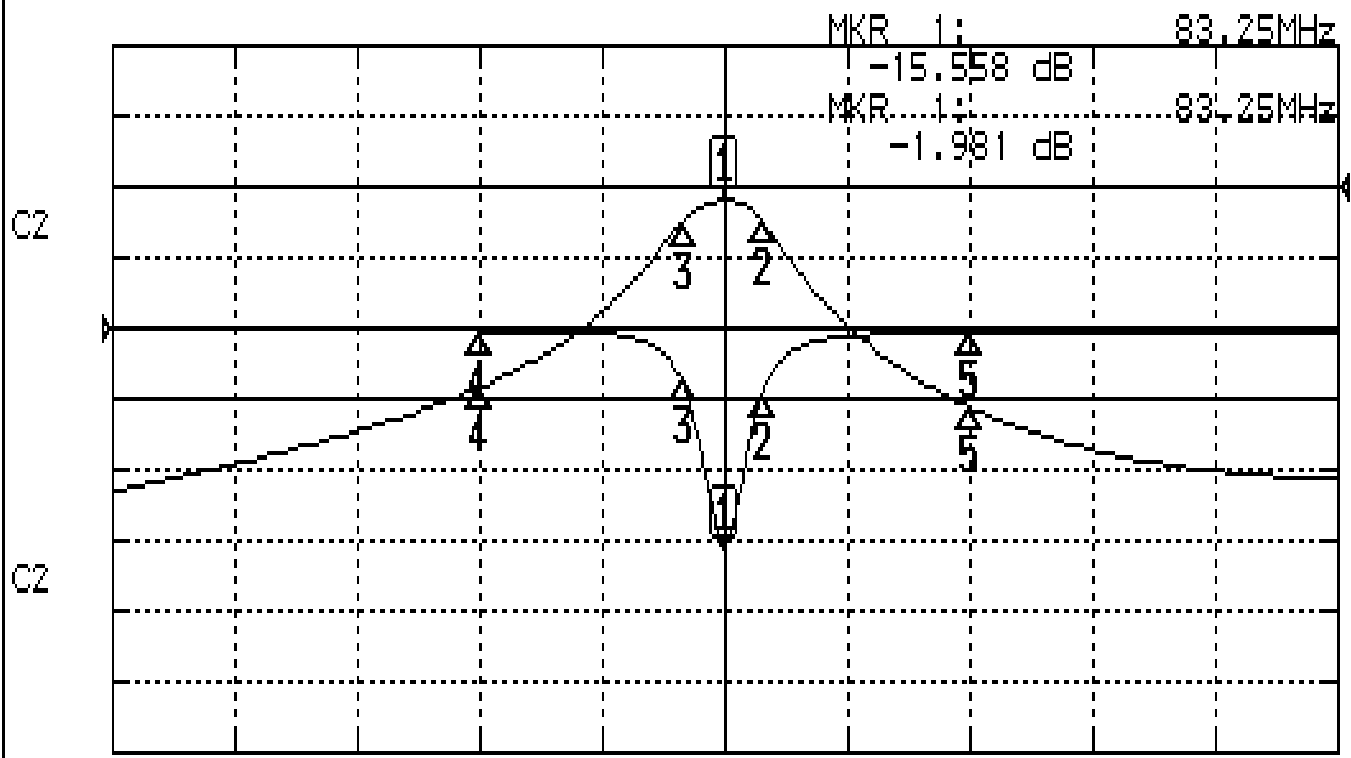
Approval	Supervisor	Designer	Aperture size
C.Y.Chang	C.S.Chang	W.W.Wang	7H2(4*7.5)F 7H00LB4

TEMWELL CORPORATION

Performance-TDL6205F-83.25M

0612045DC

CH1 S11 LOG MAG REF 0.000 dB 5.000 dB/
CH2 S21 LOG MAG REF 0.000 dB 10.000 dB/



CENTER 83.25MHz

[10.00 dBm]

SPAN 100MHz

CH1 MARKER LIST

1	83.250MHz	-15.558	dB
2	86.416MHz	-14.562	dB
3	79.033MHz	-3.842	dB
4	63.250MHz	-0.148	dB
5	103.250MHz	-0.280	dB

CH2 MARKER LIST

1	83.250MHz	-1.980	dB
2	86.416MHz	-15.072	dB
3	79.033MHz	-28.345	dB
4	63.250MHz	-31.187	dB