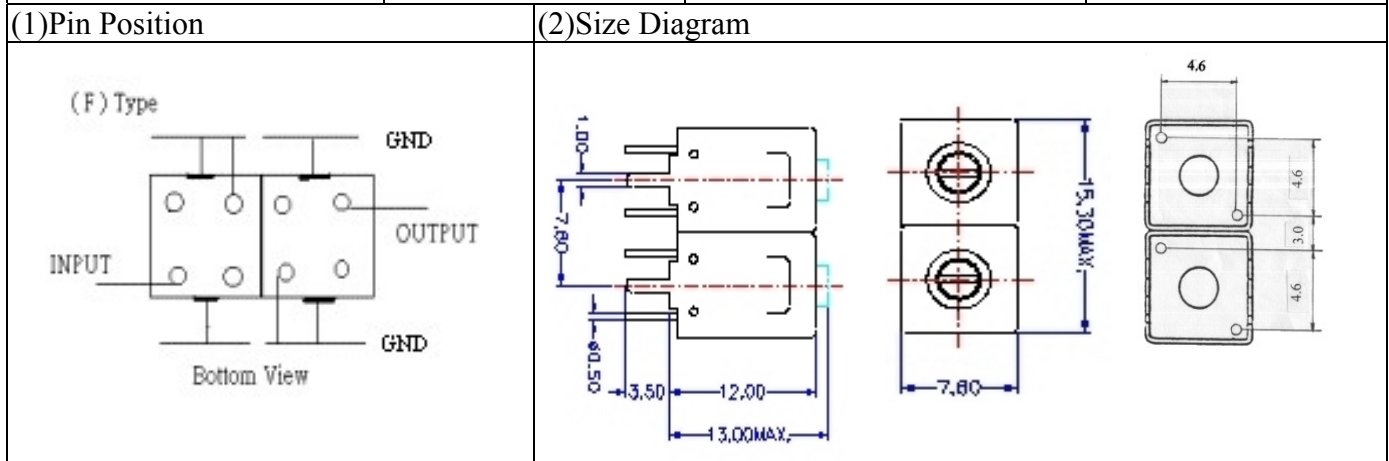


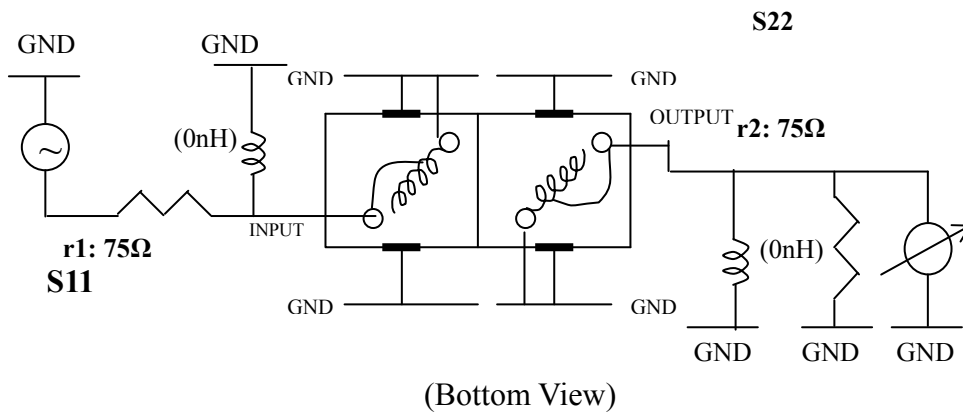
VHF UHF Helical Filter Specification Sheet

Customer Name		Temwell's Part No.	TDL6206F-175.25M
Approval No. /dated	0612046APR	Acceptable Specify Fo Range	166~195 MHz
Work Instruction No.	0612046DC	Date	Dec.25.2006



(3) Electric Characteristic		Specify	Performance
Center Freq.(Fo) +/- 0.5 %		175.25 MHz	175.25 MHz
Tunable Range		175.25±2 MHz	175.25±2 MHz
Insertion Loss		Typ. 3.0 dB	1.96 dB
-3 dB Bandwidth		Typ. 6 MHz	7.0 MHz
Sensitivity (Attenuation)	Fo - 20 MHz	Typ. 26 dB	29 dB
	Fo + 20 MHz	Typ. 26 dB	29 dB
	Fo - ()MHz	Typ. dB	DB
	Fo +()MHz	Typ. dB	dB
Return Loss		Min. 12 dB	30.1 dB
Ripple		< 1 dB	dB
Impedance		In / Out : 75 Ω	In / Out : 75 Ω
(4) Torque for Tuning Screw		> 100gf · cm	
(5) Temperature Condition:			
Operating Temperature		0°C ~ +60°C	
Storage Temperature		-20°C ~ +70°C	
(6) Input Power		> 1Watt	

(7) Measuring Circuit: ※Easy to match Impedance /75Ω by parallel with about (0) nH.

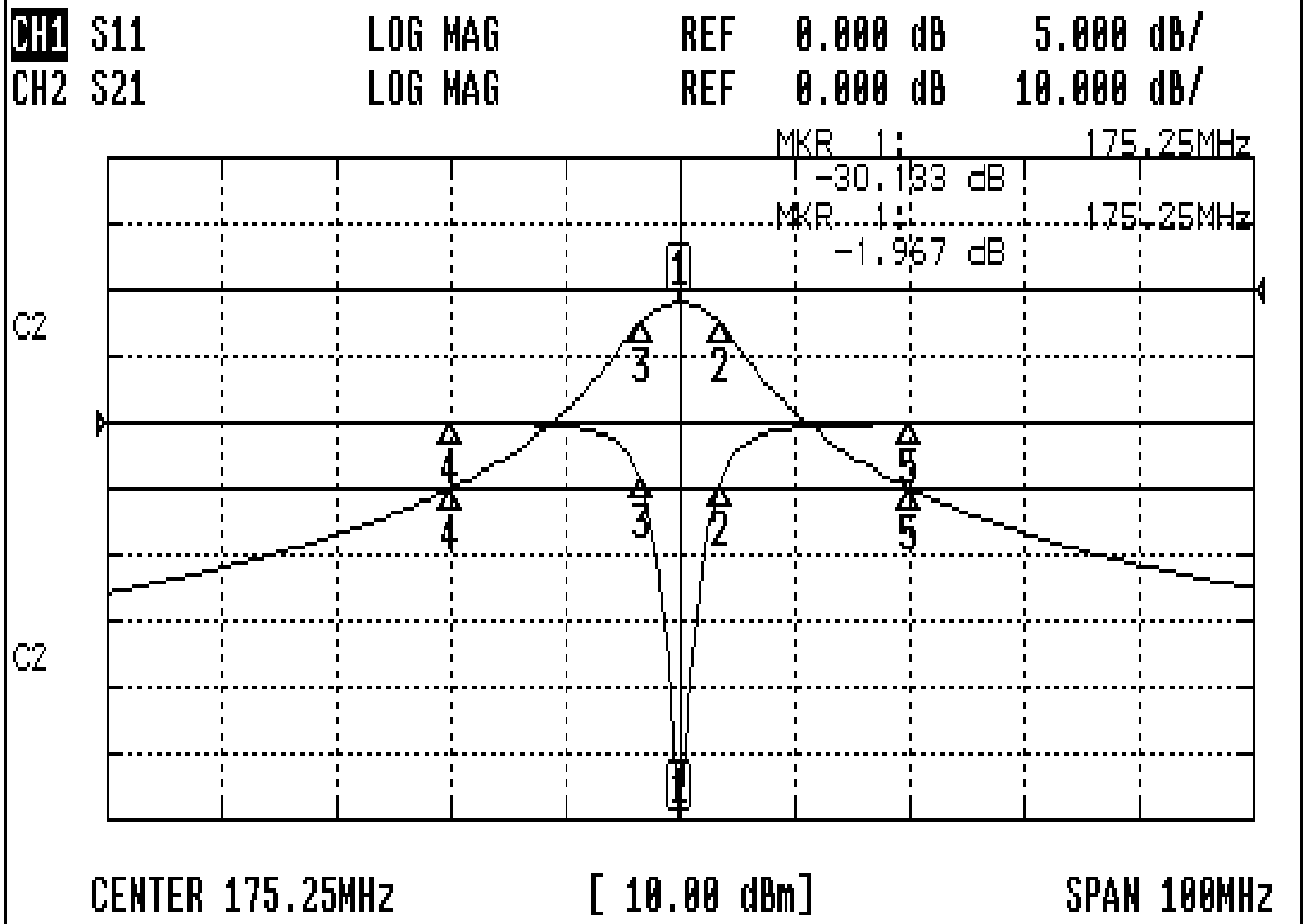


Approval	Supervisor	Designer	Aperture size
C.Y.Chang	C.S.Chang	W.W.Wang	7H2(4*5.5)F 7H024LB4

TEMWELL CORPORATION

Performance-TDL6206F-175.25M

0612046DC



CH1 MARKER LIST

1:	175.250MHz	-30.133	dB
2:	178.750MHz	-4.723	dB
3:	171.750MHz	-4.230	dB
4:	155.250MHz	-10.040	dB
5:	195.250MHz	-0.107	dB

CH2 MARKER LIST

1:	175.250MHz	-1.967	dB
2:	178.750MHz	-4.943	dB
3:	171.750MHz	-4.971	dB
4:	155.250MHz	-29.949	dB
5:	195.250MHz	-29.903	dB