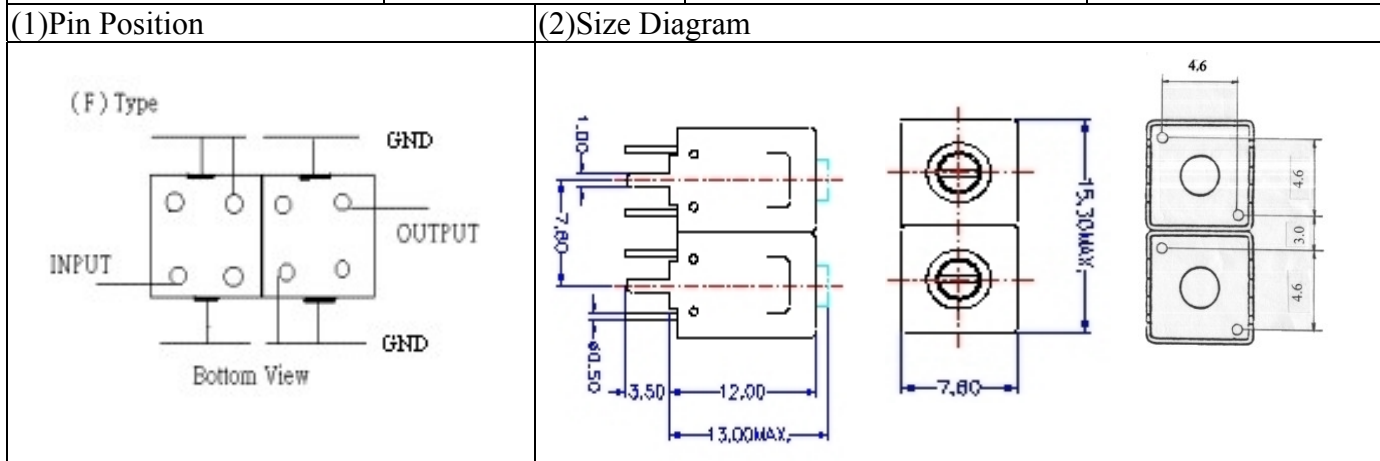


# VHF UHF Helical Filter Specification Sheet

Customer Name		Temwell's Part No.	TDL6207F-181.25M
Approval No. /dated	0612047APR	Acceptable Specify Fo Range	166~195 MHz
Work Instruction No.	0612047DC	Date	Dec.26.2006



(3) Electric Charasteric

Item	Specify	Performance
Center Freq.(Fo ) +/- 0.5 %	181.25 MHz	181.25 MHz
Tunable Range	181.25±2 MHz	181.25±2 MHz
Insertion Loss	Typ. 3.0 dB	1.90 dB
-3 dB Bandwidth	Typ. 6 MHz	7.4 MHz
Sensitivity (Attenuation)	Fo - 20 MHz	Typ. 25 dB
	Fo + 20 MHz	Typ. 25 dB
	Fo - ( )MHz	Typ. dB
	Fo +( )MHz	Typ. dB
Return Loss	Min. 12 dB	20.6 dB
Ripple	< 1 dB	dB
Impedance	In / Out : 75 Ω	In / Out : 75 Ω

(4) Torque for Tuning Screw > 100gf · cm

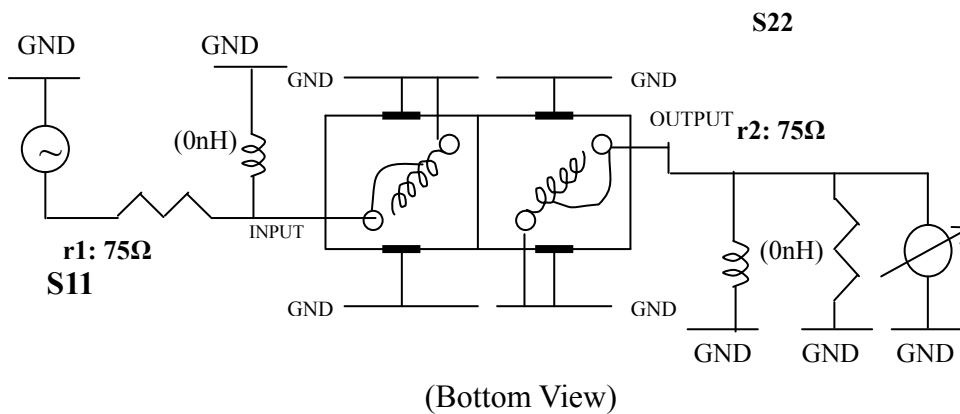
(5) Temperature Condition:

Operating Temperature 0°C ~ +60°C

Storage Temperature -20°C ~ +70°C

(6) Input Power > 1Watt

(7) Measuring Circuit: ※Easy to match Impedance /75Ω by parallel with about (0 ) nH.

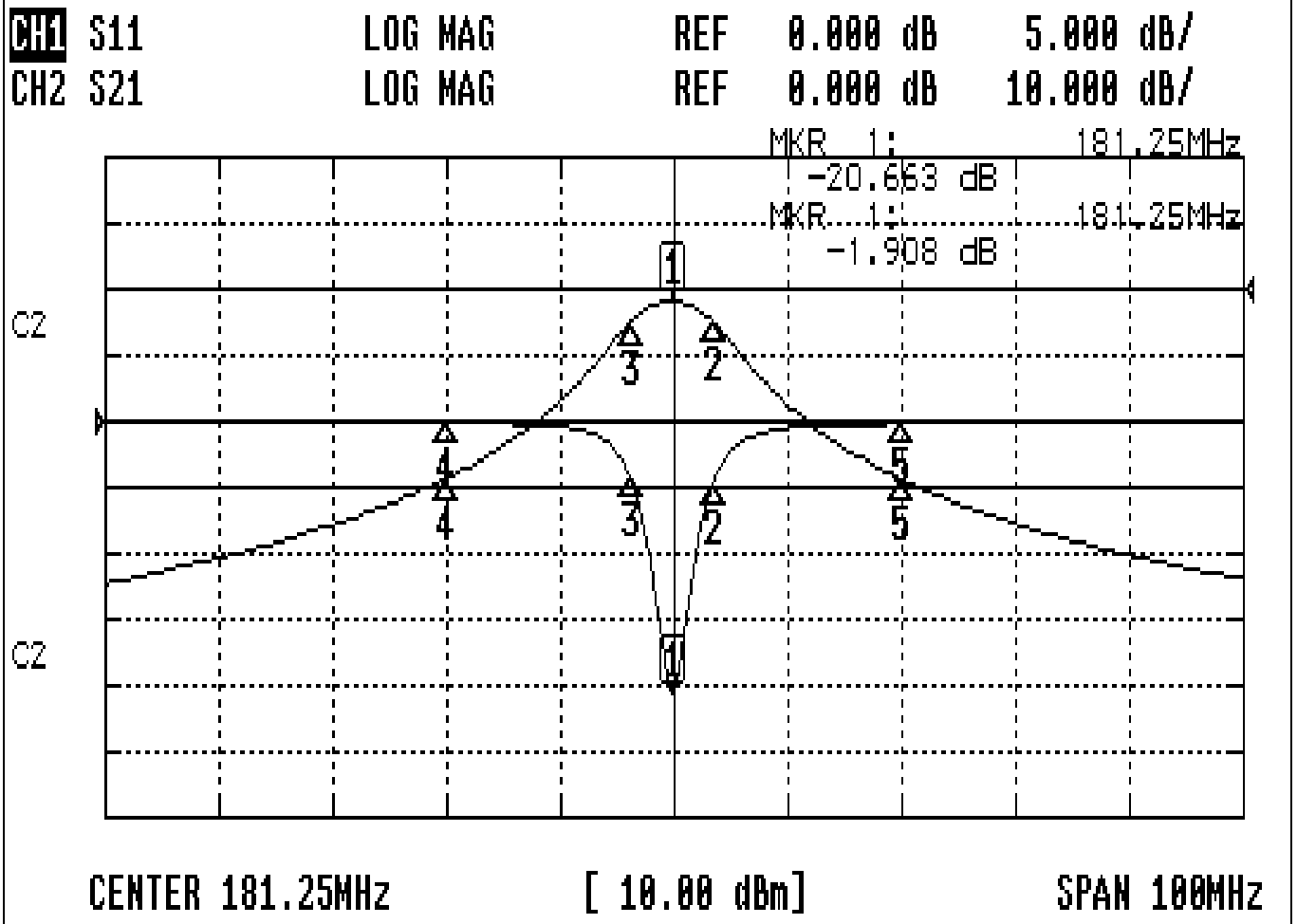


Approval	Supervisor	Designer	Aperture size
C.Y.Chang	C.S.Chang	W.W.Wang	7H2(4*5.5)F 7H024LB4

TEMWELL CORPORATION

# Performance-TDL6207F-181.25M

## 0612047DC



### CH1 MARKER LIST

1:	181.250MHz	-20.663	dB
2:	184.833MHz	-4.520	dB
3:	177.416MHz	-4.102	dB
4:	161.250MHz	-0.071	dB
5:	201.250MHz	-0.134	dB

### CH2 MARKER LIST

1:	181.250MHz	-1.908	dB
2:	184.833MHz	-5.003	dB
3:	177.416MHz	-4.970	dB
4:	161.250MHz	-28.588	dB
5:	201.250MHz	-28.726	dB