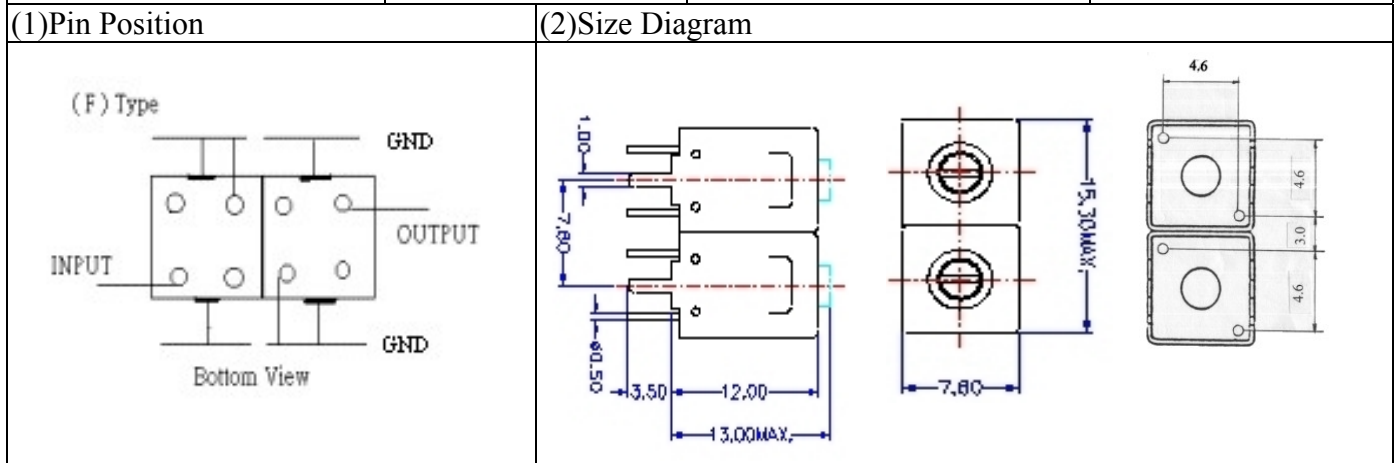


VHF UHF Helical Filter Specification Sheet

Customer Name		Temwell's Part No.	TDL6209F-193.25M
Approval No. /dated	0612049APR	Acceptable Specify Fo Range	166~195 MHz
Work Instruction No.	0612049DC	Date	Dec.26.2006



(3) Electric Charasteric

Item	Specify	Performance	
Center Freq.(Fo) +/- 0.5 %	193.25 MHz	193.25 MHz	
Tunable Range	193.25±2 MHz	193.25±2 MHz	
Insertion Loss	Typ. 3.0 dB	2.12 dB	
-3 dB Bandwidth	Typ. 6 MHz	7.2 MHz	
Sensitivity (Attenuation)	Fo - 20 MHz	Typ. 23 dB	26 dB
	Fo + 20 MHz	Typ. 25 dB	28 dB
	Fo - ()MHz	Typ. dB	dB
	Fo +()MHz	Typ. dB	dB
Return Loss	Min. 12 dB	24.7 dB	
Ripple	< 1 dB	dB	
Impedance	In / Out : 75 Ω	In / Out : 75 Ω	
(4) Torque for Tuning Screw	> 100gf • cm		

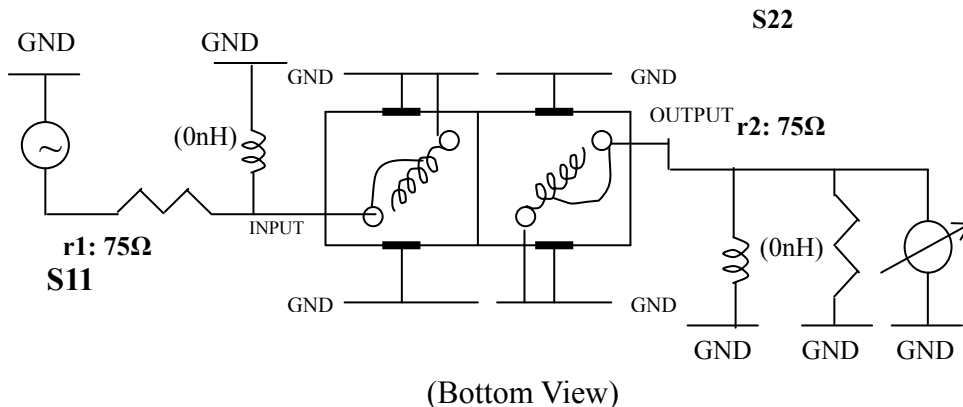
(5) Temperature Condition:

Operating Temperature	0°C ~ +60°C
Storage Temperature	-20°C ~ +70°C

(6) Input Power

> 1Watt

(7) Measuring Circuit: ※Easy to match Impedance /75Ω by parallel with about (0) nH.



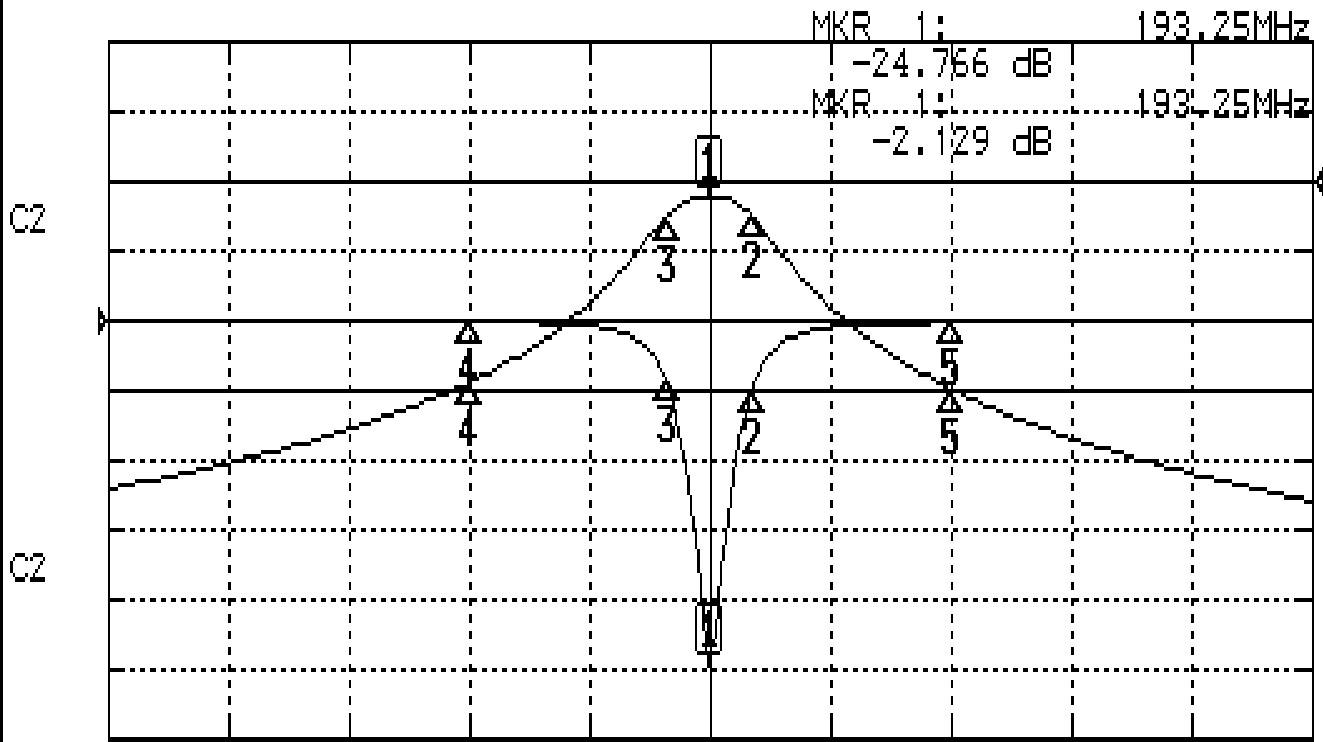
Approval	Supervisor	Designer	Aperture size
C.Y.Chang	C.S.Chang	W.W.Wang	7H2(4*5.35)F 7H024LB4

TEMWELL CORPORATION

Performance-TDL6209F-193.25M

0612049DC

CH1 S11 LOG MAG REF 0.000 dB 5.000 dB/
CH2 S21 LOG MAG REF 0.000 dB 10.000 dB/



CENTER 193.25MHz

[10.00 dBm]

SPAN 100MHz

CH1 MARKER LIST

1:	193.250MHz	-24.766	dB
2:	190.000MHz	-14.890	dB
3:	180.000MHz	-14.364	dB
4:	173.250MHz	-0.065	dB
5:	213.250MHz	-0.125	dB

CH2 MARKER LIST

1:	193.250MHz	-2.129	dB
2:	190.000MHz	-1.130	dB
3:	180.000MHz	-0.058	dB
4:	173.250MHz	-20.716	dB
5:	213.250MHz	-29.706	dB