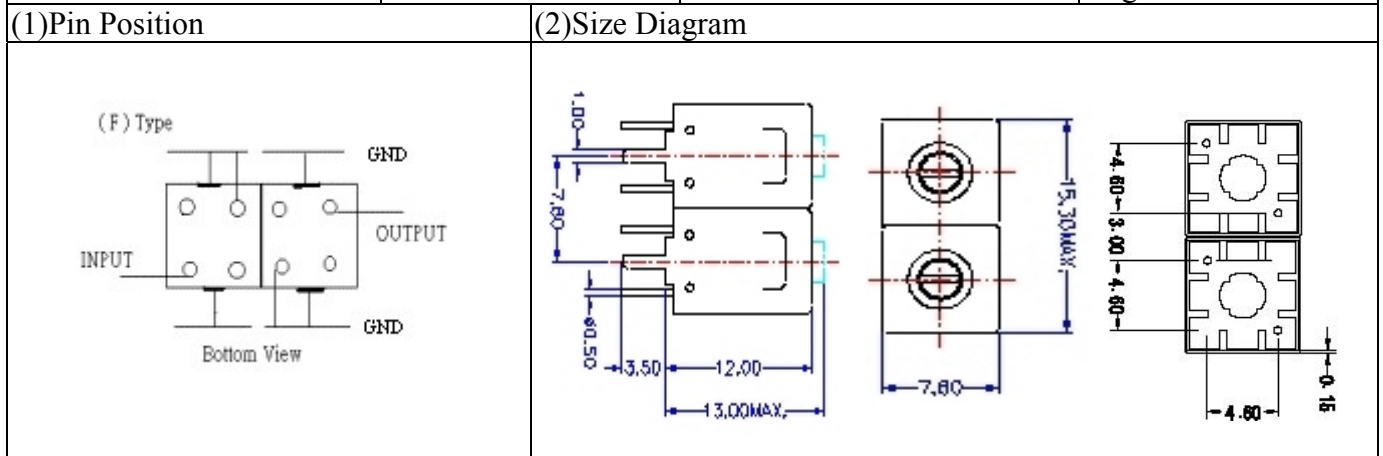


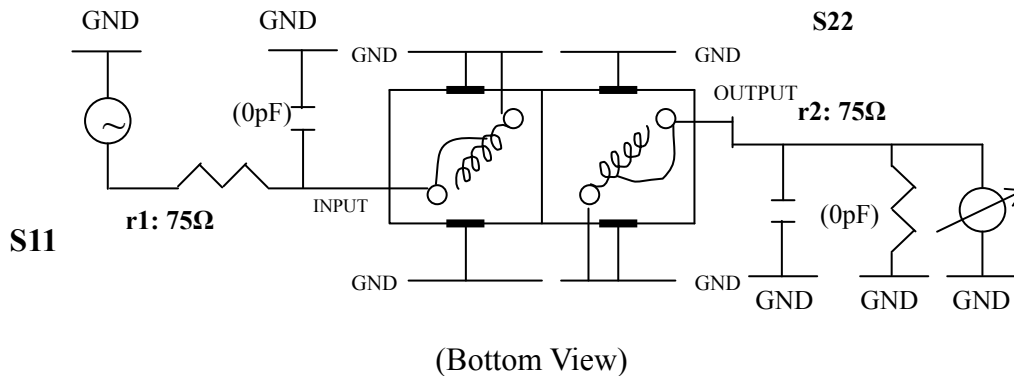
# VHF UHF Helical Filter Specification Sheet

Customer Name		Temwell's Part No.	TDL62112F-136.5M
Approval No. /dated	0707305APR	Acceptable Specify Fo Range	126~145 MHz
Work Instruction No.	0707305DC	Date	Aug.14.2007



(3) Electric Characteristic			
Item		Specify	Performance
Center Freq.(Fo) +/- 0.75 %		136.5 MHz	136.5 MHz
Tunable Range		Typ. 136.5±2 MHz	136.5±2 MHz
Insertion Loss		Typ. 2.5 dB	1.94 dB
-3 dB Bandwidth		Typ. 9 MHz	10.0 MHz
Sensitivity (Attenuation)	Fo - 30 MHz	Typ. 31 dB	34 dB
	Fo + 30 MHz	Typ. 27 dB	30 dB
	Fo - ( )MHz	Typ. dB	dB
	Fo + ( )MHz	Typ. dB	dB
Return Loss		Min. 12 dB	21.7 dB
Ripple		< 1 dB	dB
Impedance		In / Out : 75 Ω	In / Out : 75 Ω
(4) Torque for Tuning Screw		> 100gf · cm	
(5) Temperature Condition:			
Operating Temperature		30°C ~ +70°C	
Storage Temperature		-30°C ~ +80°C	
(6) Input Power		> 1 Watt	

(7) Measuring Circuit: ※ Easy to match Impedance 75Ω by parallel with about ( 0 ) pF.

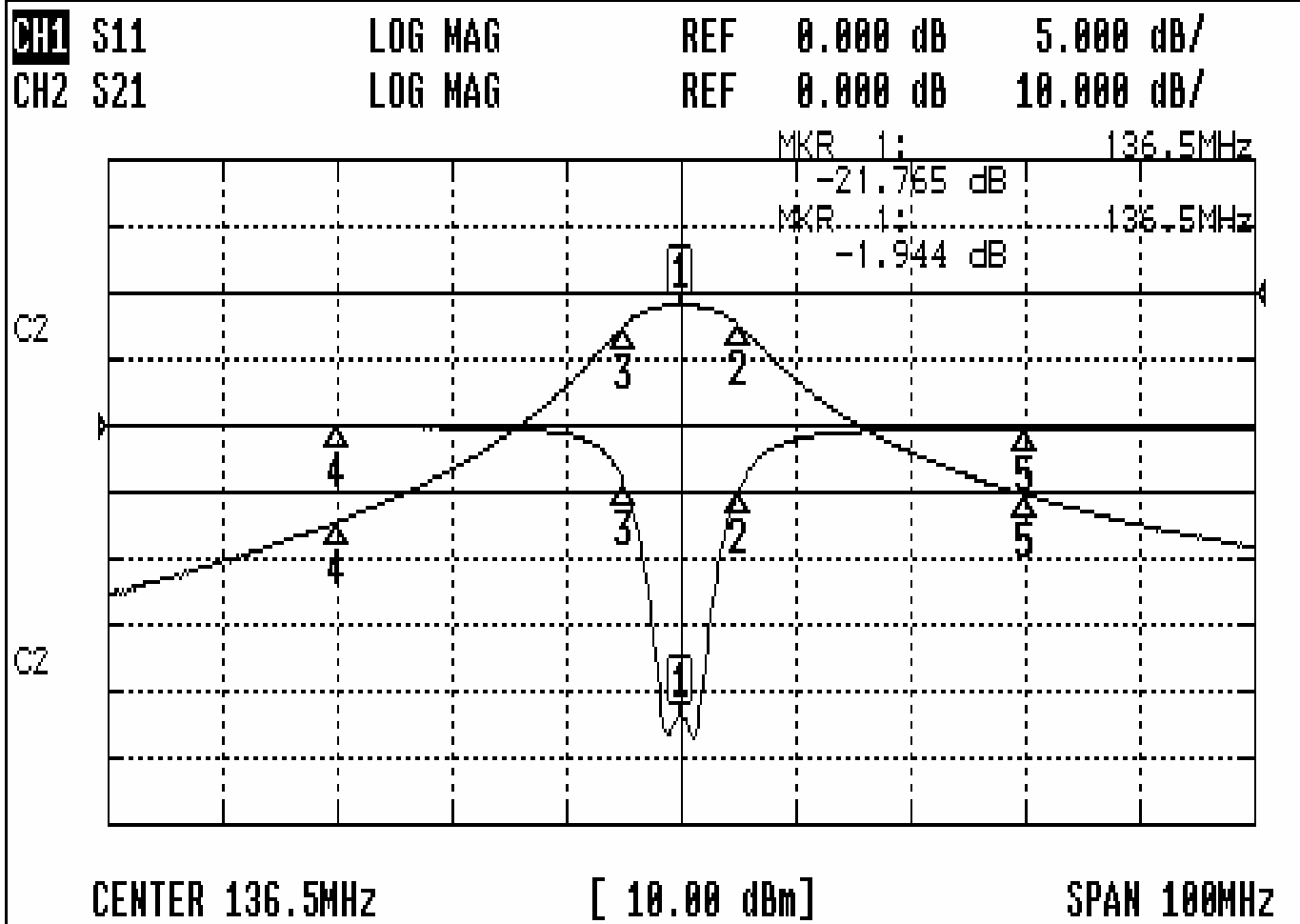


Approval	Supervisor	Designer	Aperture size
C.Y.Chang	C.S.Chang	P.H.Chiang	7H2(4*6.5)(6.57) 7H00LB4

TEMWELL CORPORATION

# Performance-TDL62112F-136.5M

## 0707305DC



### CH1 MARKER LIST

1	136.500MHz	-21.765	dB
2	141.583MHz	-4.793	dB
3	131.583MHz	-4.386	dB
4	106.500MHz	-0.111	dB
5	166.500MHz	-0.233	dB

### CH2 MARKER LIST

1	136.500MHz	-1.944	dB
2	141.583MHz	-4.986	dB
3	131.583MHz	-4.921	dB
4	106.500MHz	-34.440	dB
5	166.500MHz	-30.323	dB