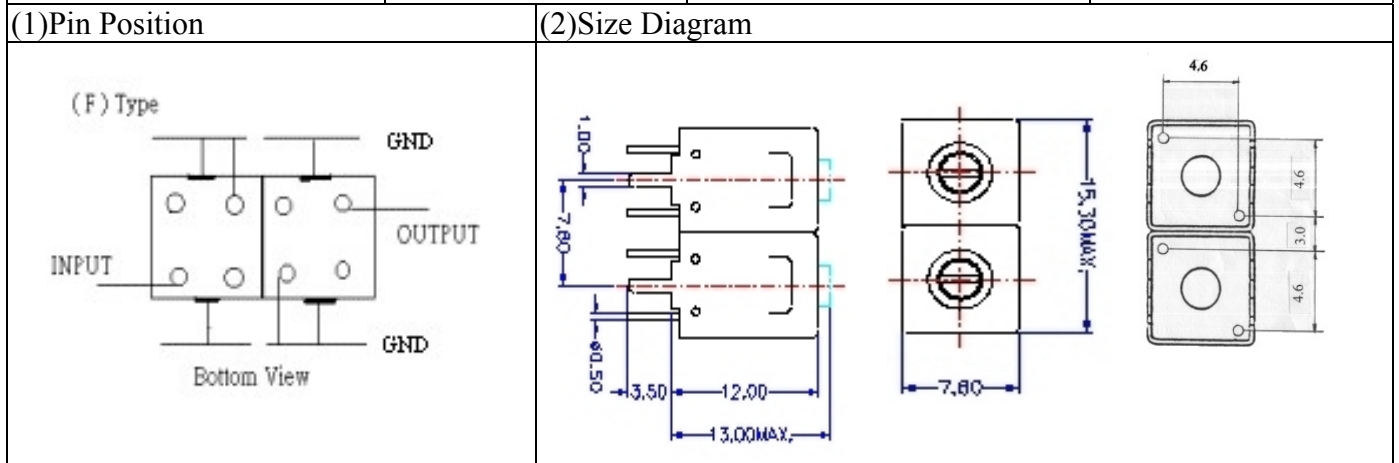


VHF UHF Helical Filter Specification Sheet

Customer Name		Temwell's Part No.	TDL6211F-205.25M
Approval No. /dated	0612051APR	Acceptable Specify Fo Range	196~220 MHz
Work Instruction No.	0612051DC	Date	Dec.26.2006



(3) Electric Charasteric

Item	Specify	Performance	
Center Freq.(Fo) +/- 0.5 %	205.25 MHz	205.25 MHz	
Tunable Range	205.25±4 MHz	205.25±4 MHz	
Insertion Loss	Typ. 3.0 dB	1.90 dB	
-3 dB Bandwidth	Typ. 6 MHz	7.6 MHz	
Sensitivity (Attenuation)	Fo - 20 MHz	Typ. 25 dB	28 dB
	Fo + 20 MHz	Typ. 26 dB	29 dB
	Fo - ()MHz	Typ. dB	DB
	Fo +()MHz	Typ. dB	dB
Return Loss	Min. 12 dB	32.3 dB	
Ripple	< 1 dB	dB	
Impedance	In / Out : 75 Ω	In / Out : 75 Ω	

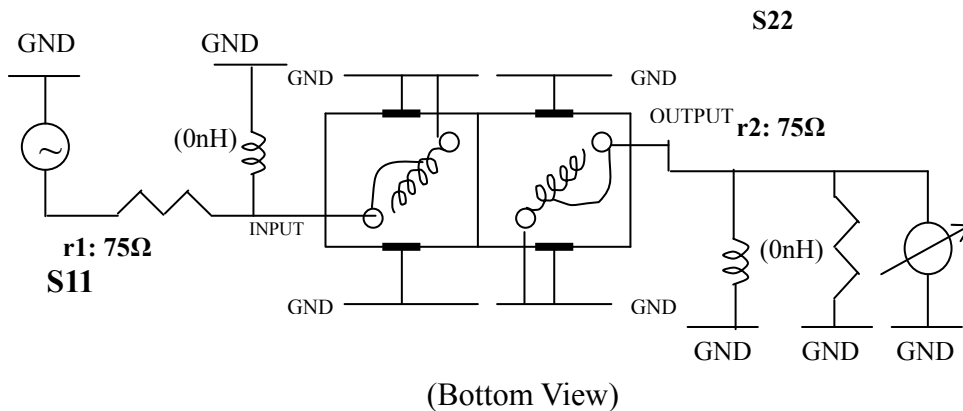
(4) Torque for Tuning Screw > 100gf • cm

(5) Temperature Condition:

Operating Temperature	0°C ~ +60°C
Storage Temperature	-20°C ~ +70°C

(6) Input Power > 1Watt

(7) Measuring Circuit: ※Easy to match Impedance /75Ω by parallel with about (0) nH.

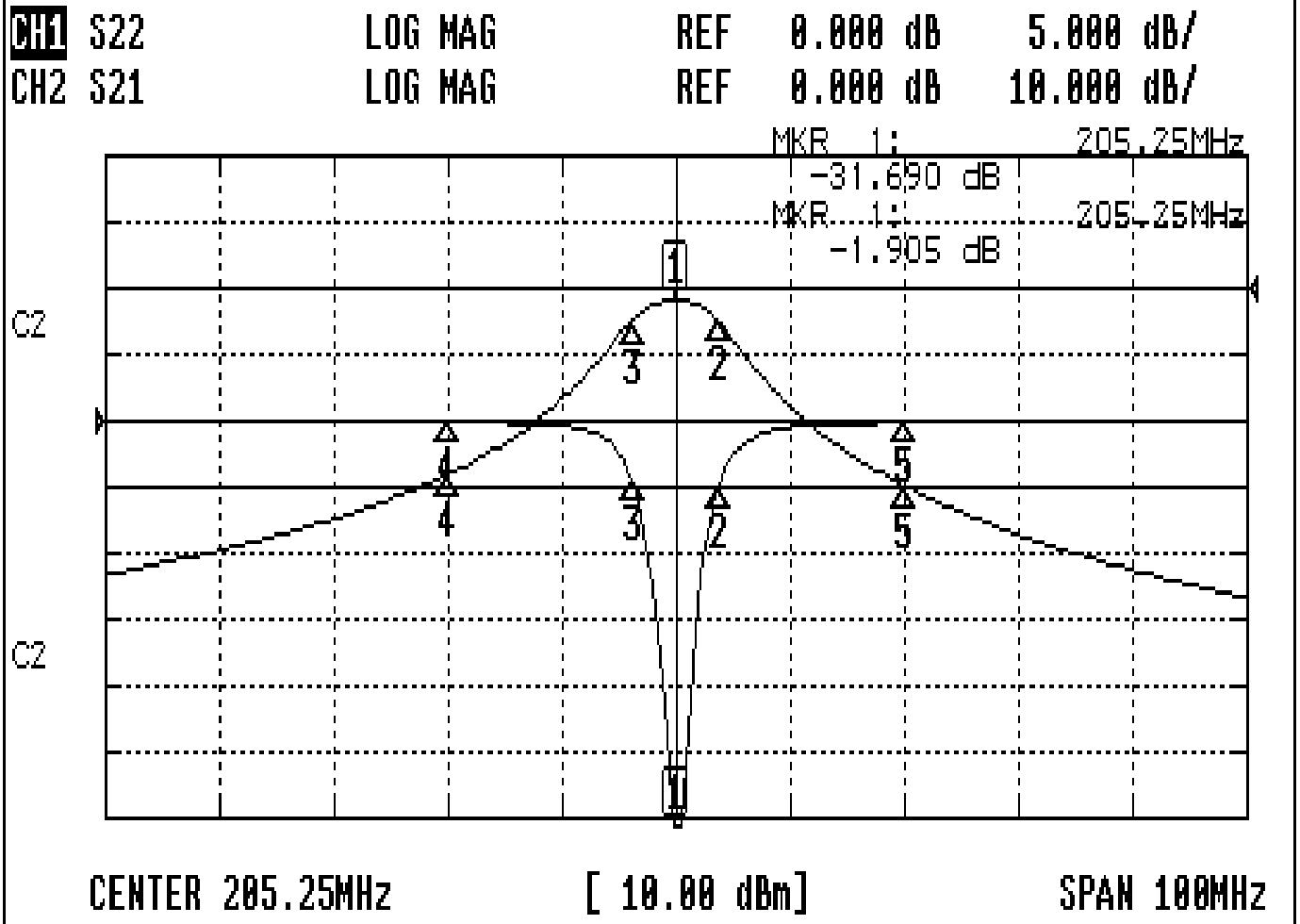


Approval	Supervisor	Designer	Aperture size
C.Y.Chang	C.S.Chang	W.W.Wang	7H2(4*5.35)F 7H024LB4

TEMWELL CORPORATION

Performance-TDL6211F-205.25M

0612051DC



CH1 MARKER LIST

1:	205.250MHz	-31.690 dB
2:	209.000MHz	-5.021 dB
3:	201.416MHz	-4.486 dB
4:	185.250MHz	-0.080 dB
5:	225.250MHz	-0.122 dB

6:
7:
8:
9:
10:

CH2 MARKER LIST

1:	205.250MHz	-1.905 dB
2:	209.000MHz	-4.961 dB
3:	201.416MHz	-4.813 dB
4:	185.250MHz	-28.071 dB
5:	225.250MHz	-29.783 dB

6:
7:
8:
9:
10: