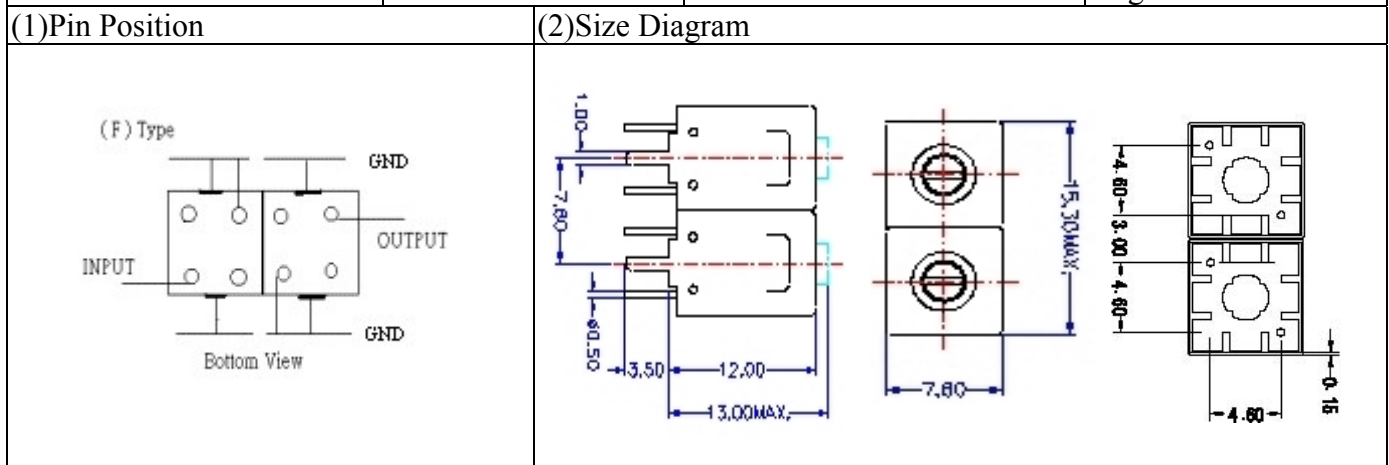


VHF UHF Helical Filter Specification Sheet

Customer Name		Temwell's Part No.	TDL62121F-199.5M
Approval No. /dated	0707314APR	Acceptable Specify Fo Range	196~220 MHz
Work Instruction No.	0707314DC	Date	Aug.20.2007



(3) Electric Characteristic

Item	Specify	Performance	
Center Freq.(Fo) +/- 0.75 %	199.5 MHz	199.5 MHz	
Tunable Range	Typ. 199.5±2 MHz	199.5±2 MHz	
Insertion Loss	Typ. 2.5 dB	1.43 dB	
-3 dB Bandwidth	Typ. 10 MHz	11.1 MHz	
Sensitivity (Attenuation)	Fo - 30 MHz	Typ. 27 dB	30 dB
	Fo + 30 MHz	Typ. 26 dB	29 dB
	Fo - ()MHz	Typ. dB	dB
	Fo +()MHz	Typ. dB	dB
Return Loss	Min. 12 dB	22.9 dB	
Ripple	< 1 dB	dB	
Impedance	In / Out : 75 Ω	In / Out : 75 Ω	

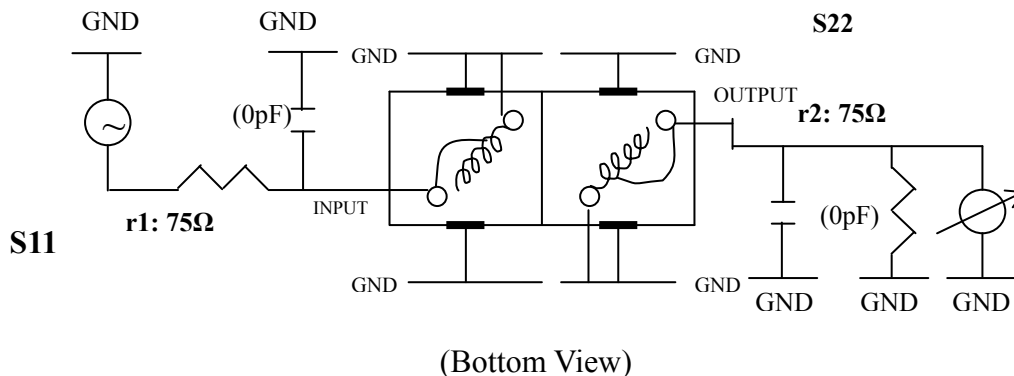
(4) Torque for Tuning Screw >100gf • cm

(5) Temperature Condition:

Operating Temperature	30°C ~ +70°C
Storage Temperature	-30°C ~ +80°C

(6) Input Power > 1Watt

(7) Measuring Circuit: ※Easy to match Impedance 75Ω by parallel with about (0) pF.



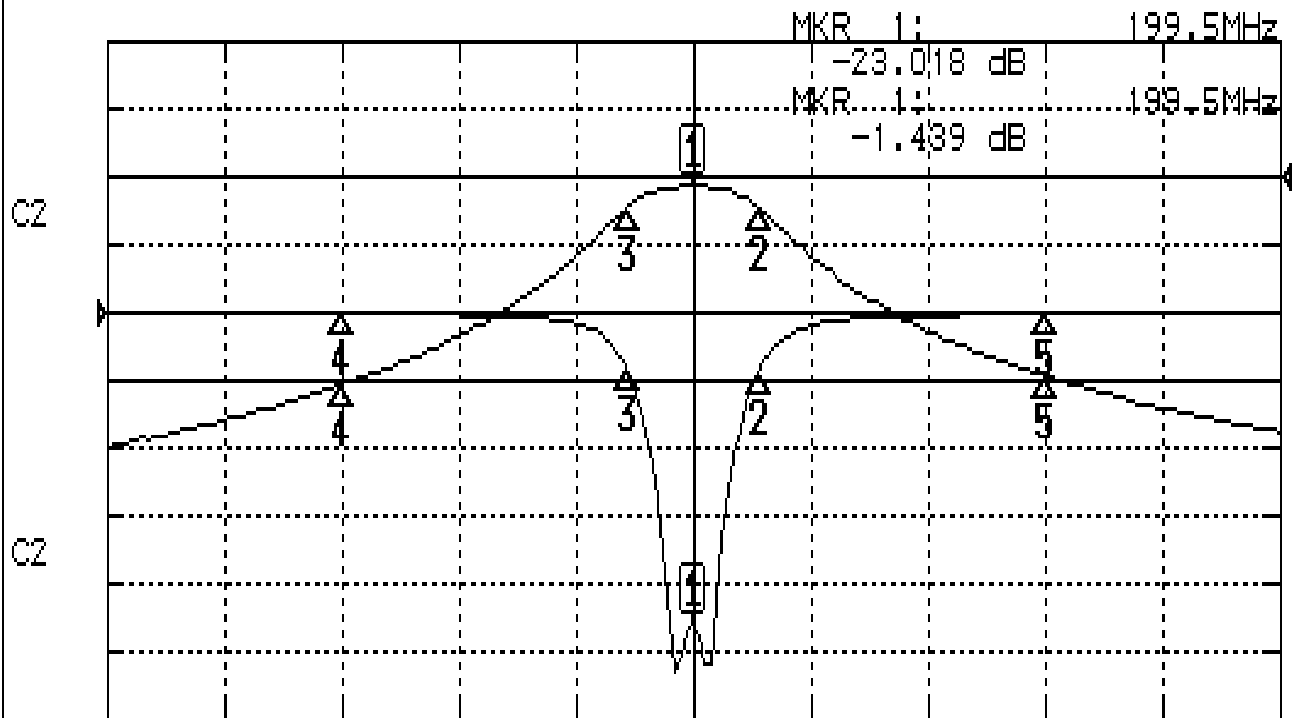
Approval	Supervisor	Designer	Aperture size
C.Y.Chang	C.S.Chang	P.H.Chiang	7H2(4*6.5)(6.59) 7H024LB4

TEMWELL CORPORATION

Performance-TDL62121F-199.5M

0707314DC

CH1 S11 LOG MAG REF 0.000 dB 5.000 dB/
CH2 S21 LOG MAG REF 0.000 dB 10.000 dB/



CENTER 199.5MHz

[10.00 dBm]

SPAN 100MHz

CH1 MARKER LIST

1:	199.500MHz	-22.993 dB
2:	205.000MHz	-4.364 dB
3:	193.916MHz	-4.227 dB
4:	169.500MHz	-0.071 dB
5:	229.500MHz	-0.096 dB

CH2 MARKER LIST

1:	199.500MHz	-1.439 dB
2:	205.000MHz	-4.441 dB
3:	193.916MHz	-4.381 dB
4:	169.500MHz	-30.509 dB
5:	229.500MHz	-29.367 dB