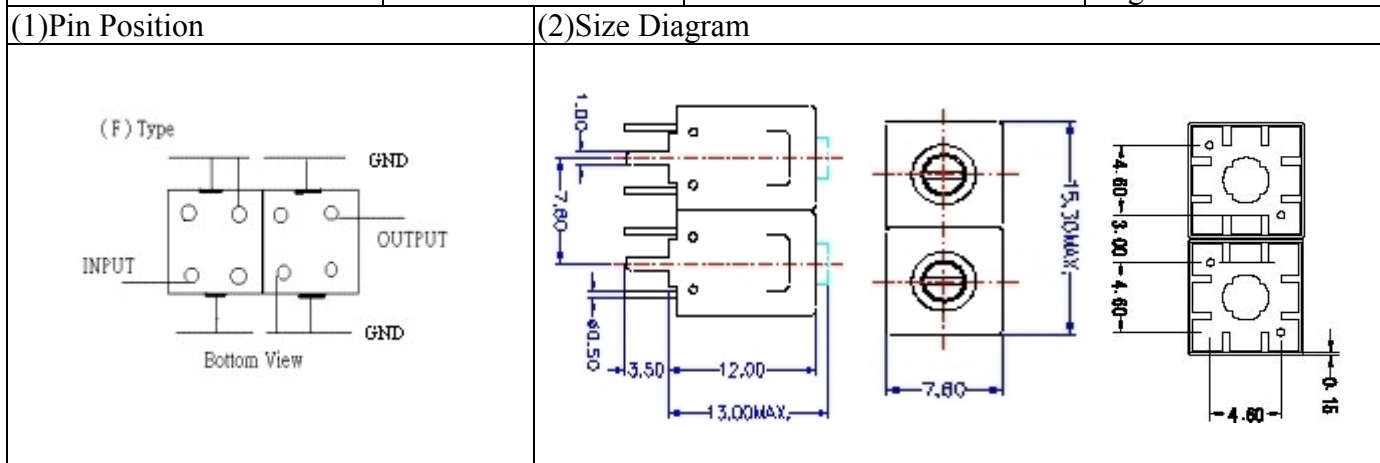


# VHF UHF Helical Filter Specification Sheet

Customer Name		Temwell's Part No.	TDL62123F-213.5M
Approval No. /dated	0707316APR	Acceptable Specify Fo Range	196~220 MHz
Work Instruction No.	0707316DC	Date	Aug.21.2007



### (3) Electric Characteristic

Item	Specify	Performance	
Center Freq.(Fo) +/- 0.75 %	213.5 MHz	213.5 MHz	
Tunable Range	Typ. 213.5±4 MHz	213.5±4 MHz	
Insertion Loss	Typ. 2.5 dB	1.37 dB	
-3 dB Bandwidth	Typ. 10 MHz	11.7 MHz	
Sensitivity (Attenuation)	Fo - 30 MHz	Typ. 25 dB	28 dB
	Fo + 30 MHz	Typ. 24 dB	27 dB
	Fo - ( )MHz	Typ. dB	dB
	Fo +( )MHz	Typ. dB	dB
Return Loss	Min. 12 dB	35.5 dB	
Ripple	< 1 dB	dB	
Impedance	In / Out : 75 Ω	In / Out : 75 Ω	

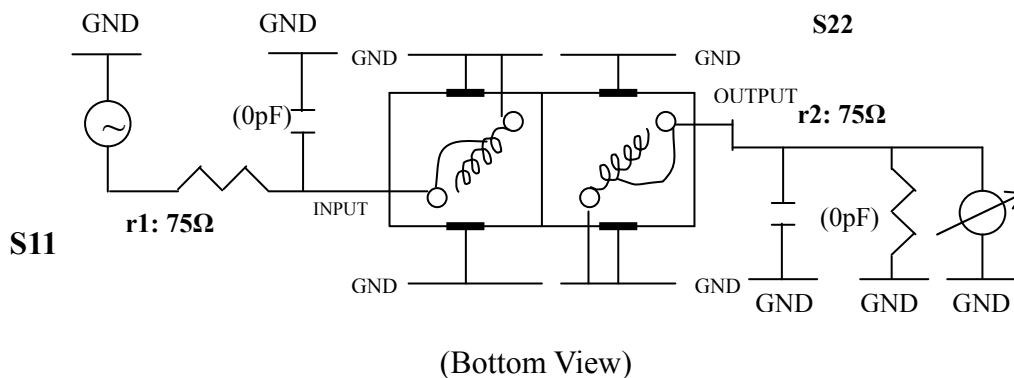
(4) Torque for Tuning Screw > 100gf · cm

### (5) Temperature Condition:

Operating Temperature	30°C ~ +70°C
Storage Temperature	-30°C ~ +80°C

(6) Input Power > 1Watt

(7) Measuring Circuit: ※Easy to match Impedance 75Ω by parallel with about ( 0 ) pF.



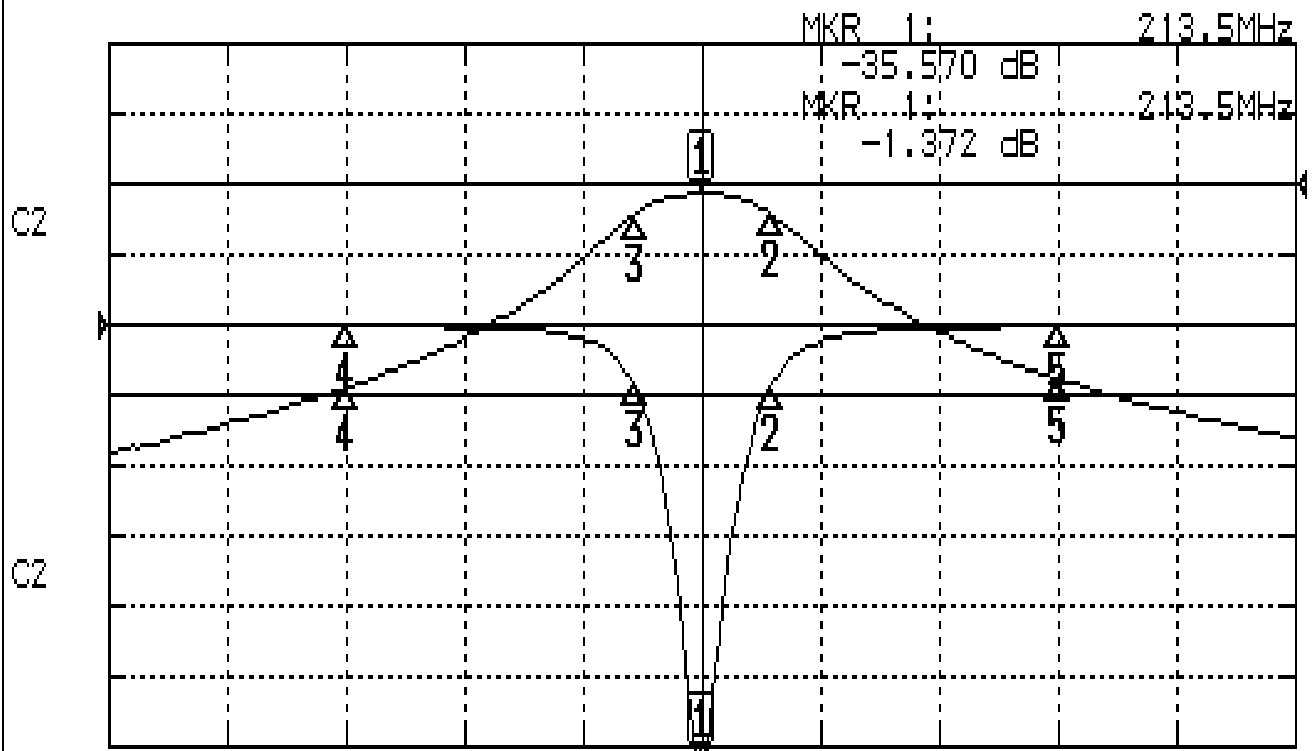
Approval	Supervisor	Designer	Aperture size
C.Y.Chang	C.S.Chang	P.H.Chiang	7H2(4*6.5)(6.57) 7H024LB4

TEMWELL CORPORATION

# Performance-TDL62123F-213.5M

## 0707316DC

CH1 S11 LOG MAG REF 0.000 dB 5.000 dB/  
CH2 S21 LOG MAG REF 0.000 dB 10.000 dB/



CENTER 213.5MHz

[ 10.00 dBm ]

SPAN 100MHz

### CH1 MARKER LIST

1:	213.500MHz	-35.570 dB
2:	219.416MHz	-4.366 dB
3:	207.750MHz	-4.196 dB
4:	183.500MHz	-0.091 dB
5:	243.500MHz	-0.096 dB

### CH2 MARKER LIST

1:	213.500MHz	-1.372 dB
2:	219.416MHz	-4.316 dB
3:	207.750MHz	-4.345 dB
4:	183.500MHz	-28.933 dB
5:	243.500MHz	-27.777 dB