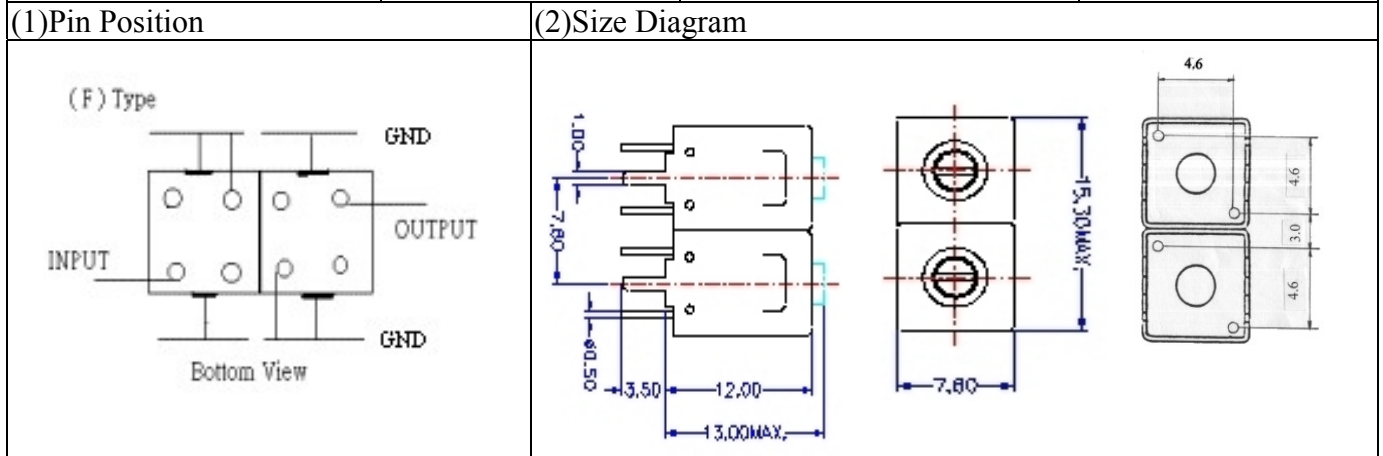


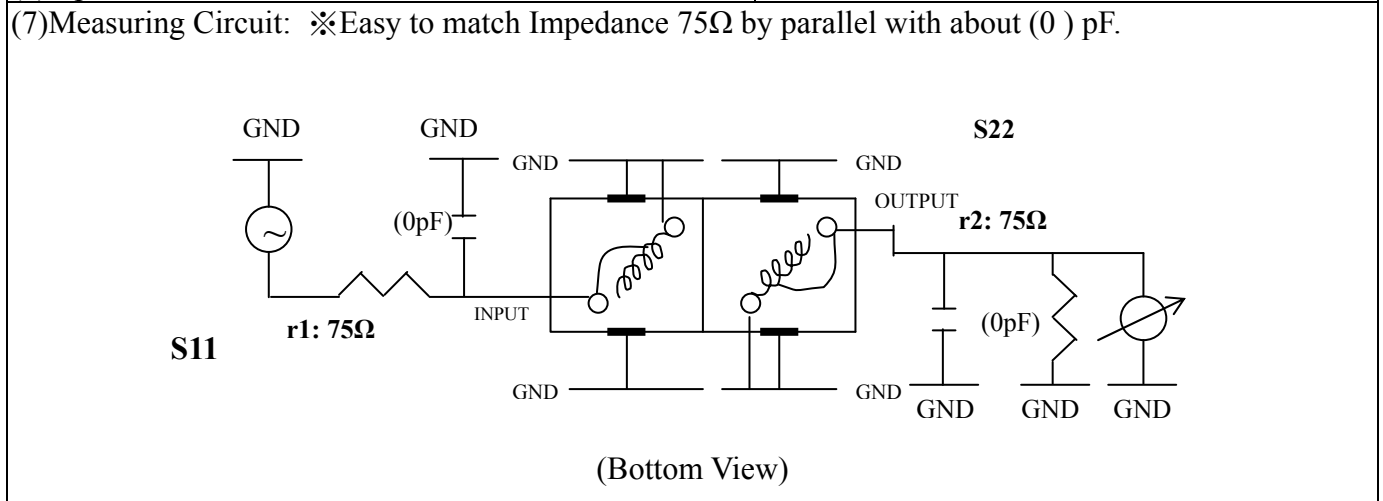
VHF UHF Helical Filter Specification Sheet

Customer Name		Temwell's Part No.	TDL6212F-211.25M
Approval No. /dated	0612052APR	Acceptable Specify Fo Range	196~220 MHz
Work Instruction No.	0612052DC	Date	Dec.29.2006



(3) Electric Characteristic			
Item		Specify	Performance
Center Freq.(Fo) +/- 0.5 %		211.25 MHz	211.25 MHz
Tunable Range		211.25±4 MHz	211.25±4 MHz
Insertion Loss		Typ. 3.0 dB	1.88 dB
-3 dB Bandwidth		Typ. 6 MHz	7.5 MHz
Sensitivity (Attenuation)	Fo - 20 MHz	Typ. 24 dB	27 dB
	Fo + 20 MHz	Typ. 26 dB	29 dB
	Fo - ()MHz	Typ. dB	dB
	Fo + ()MHz	Typ. dB	dB
Return Loss		Min. 12 dB	28.6 dB
Ripple		< 1 dB	dB
Impedance		In / Out : 75 Ω	In / Out : 75 Ω
(4) Torque for Tuning Screw		> 100gf · cm	

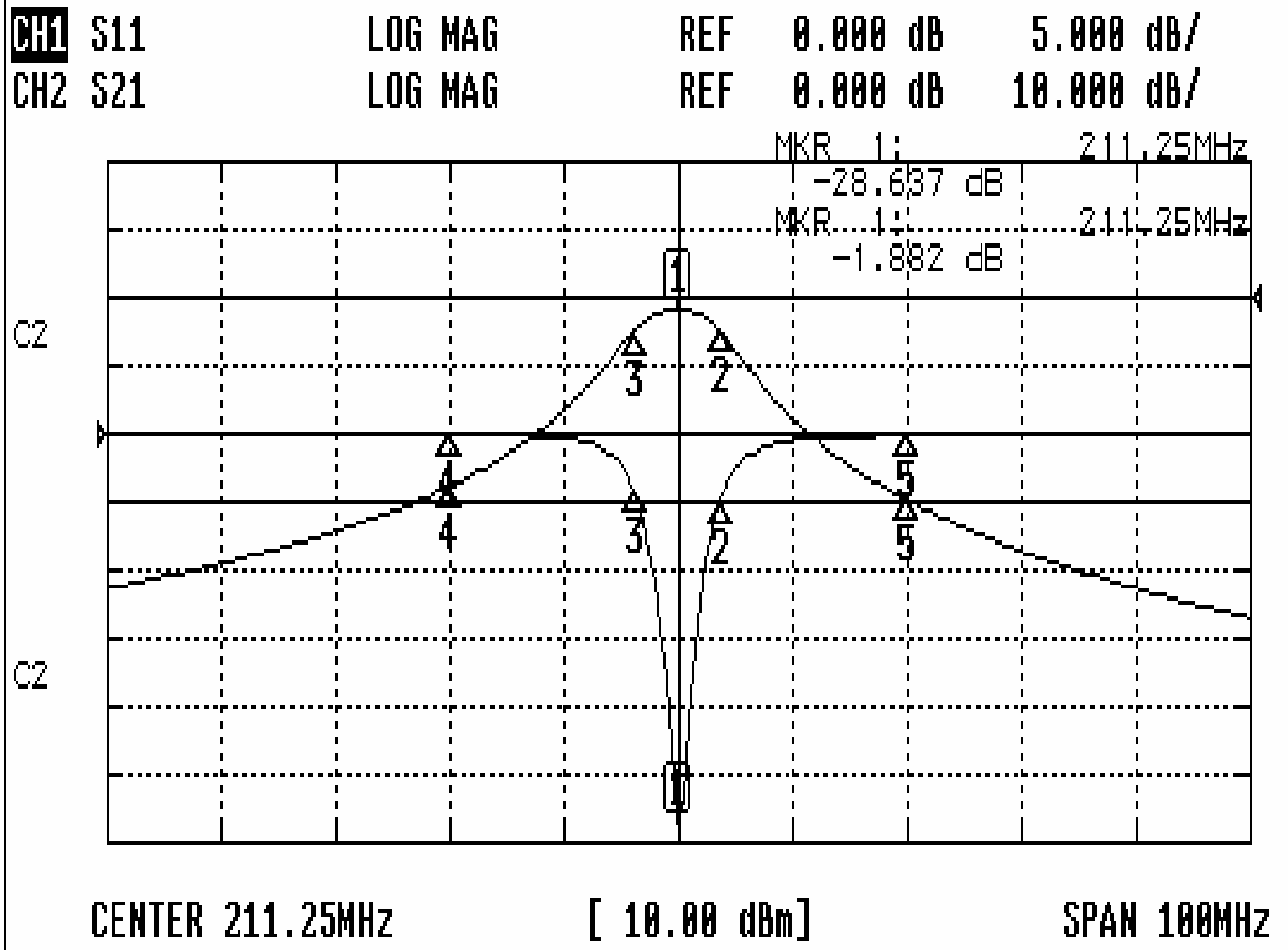
(5) Temperature Condition:	
Operating Temperature	0°C ~ +60°C
Storage Temperature	-20°C ~ +80°C
(6) Input Power	> 1 Watt



Approval	Supervisor	Designer	Aperture size
C.Y.Chang	C.S.Chang	W.W.Wang	7H2(4*5.35)F 7H024LB4
TEMWELL CORPORATION			

Performance-TDL6212F-211.25M

0612052DC



CH1 MARKER LIST

1:	211.250MHz	-28.637	dB
2:	214.916MHz	-4.969	dB
3:	207.416MHz	-4.081	dB
4:	191.250MHz	-0.043	dB
5:	231.250MHz	-0.107	dB
6:			
7:			
8:			
9:			
10:			

CH2 MARKER LIST

1:	211.250MHz	-1.882	dB
2:	214.916MHz	-4.825	dB
3:	207.416MHz	-4.903	dB
4:	191.250MHz	-27.705	dB
5:	231.250MHz	-29.676	dB
6:			
7:			
8:			
9:			
10:			