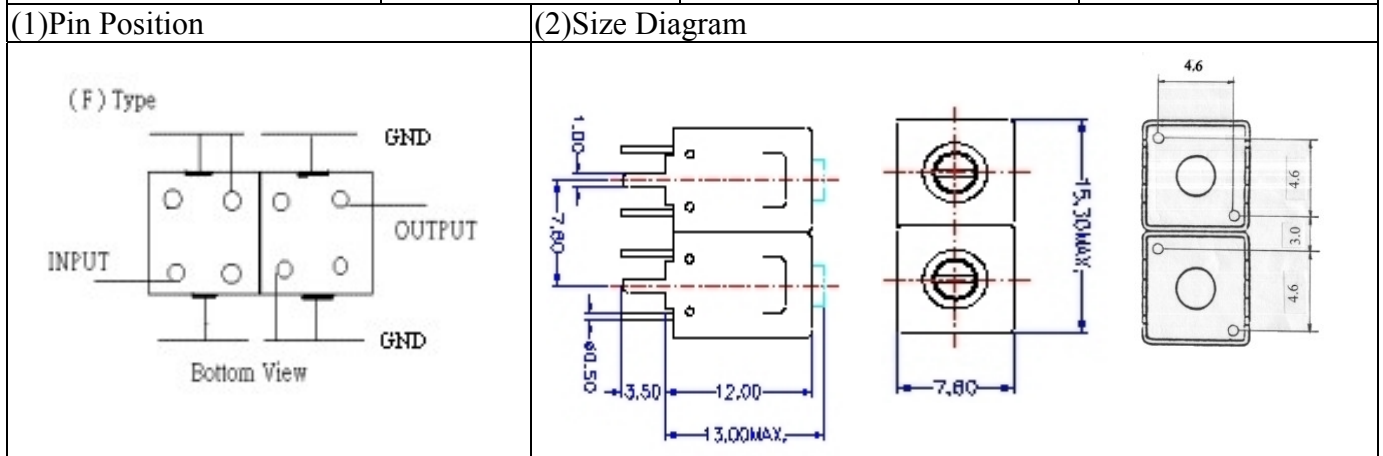


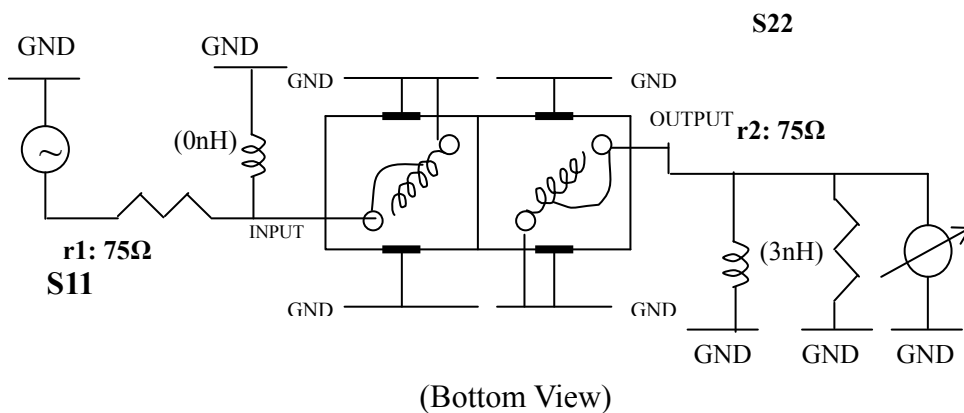
VHF UHF Helical Filter Specification Sheet

Customer Name		Temwell's Part No.	TDL6215F-483.25M
Approval No. /dated	0612055APR	Acceptable Specify Fo Range	456~515 MHz
Work Instruction No.	0612055DC	Date	Jan.02.2007



(3) Electric Characteristic			
Item		Specify	Performance
Center Freq.(Fo) +/- 0.5 %		483.25 MHz	483.25 MHz
Tunable Range		483.25±5 MHz	483.25±5 MHz
Insertion Loss		Typ. 4.5 dB	3.40 dB
-3 dB Bandwidth		Typ. 6 MHz	8.8 MHz
Sensitivity (Attenuation)	Fo - 20 MHz	Typ. 22 dBc	25 dBc
	Fo + 20 MHz	Typ. 16 dBc	19 dBc
	Fo - ()MHz	Typ. dBc	dBc
	Fo + ()MHz	Typ. dBc	dBc
Return Loss		Min. 12 dB	20.0 dB
Ripple		< 1 dB	dB
Impedance		In / Out : 75 Ω	In / Out : 75 Ω
(4) Torque for Tuning Screw		> 100gf · cm	
(5) Temperature Condition:			
Operating Temperature		0°C ~ +60°C	
Storage Temperature		-20°C ~ +70°C	
(6) Input Power		> 1 Watt	

(7) Measuring Circuit: ※ Easy to match Impedance /75Ω by parallel with about (0) nH. (3) nH

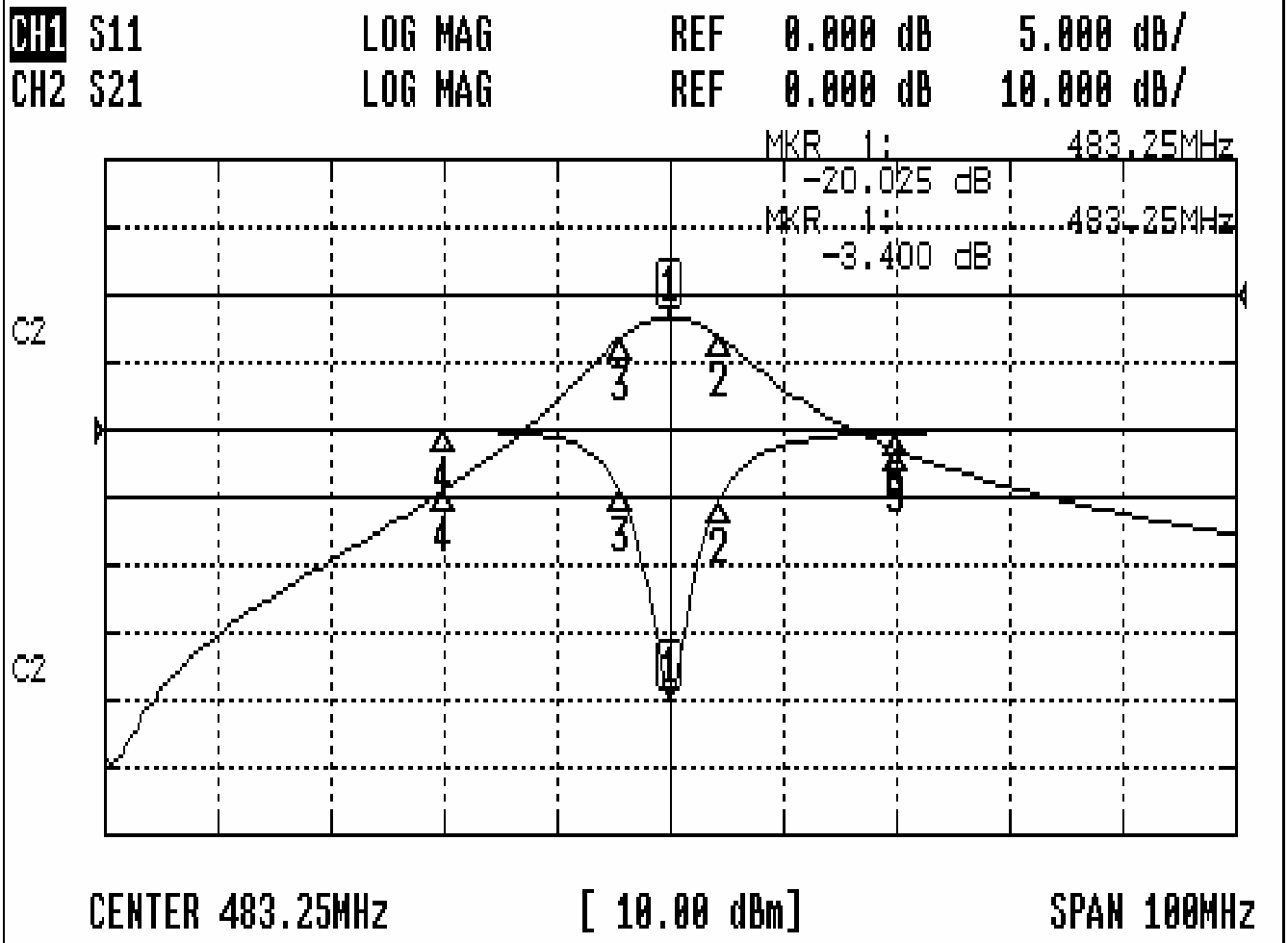


Approval	Supervisor	Designer	Aperture size
C.Y.Chang	C.S.Chang	W.W.Wang	7H2(4*5.35)F 7H046LB4 聚 3

TEMWELL CORPORATION

Performance-TDL6215F-483.25M

0612055DC



CH1 MARKER LIST

1:	483.250MHz	-20.025 dB
2:	487.666MHz	-5.176 dB
3:	478.833MHz	-4.464 dB
4:	463.250MHz	-0.023 dB
5:	503.250MHz	-0.212 dB

CH2 MARKER LIST

1:	483.250MHz	-3.400 dB
2:	487.666MHz	-6.324 dB
3:	478.833MHz	-6.419 dB
4:	463.250MHz	-20.938 dB
5:	503.250MHz	-22.838 dB