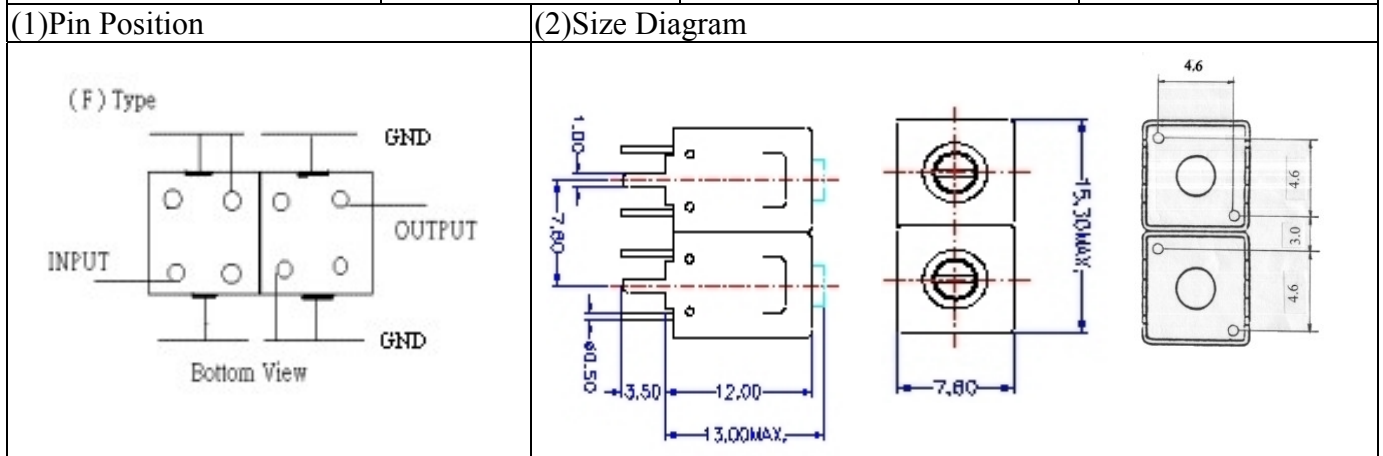


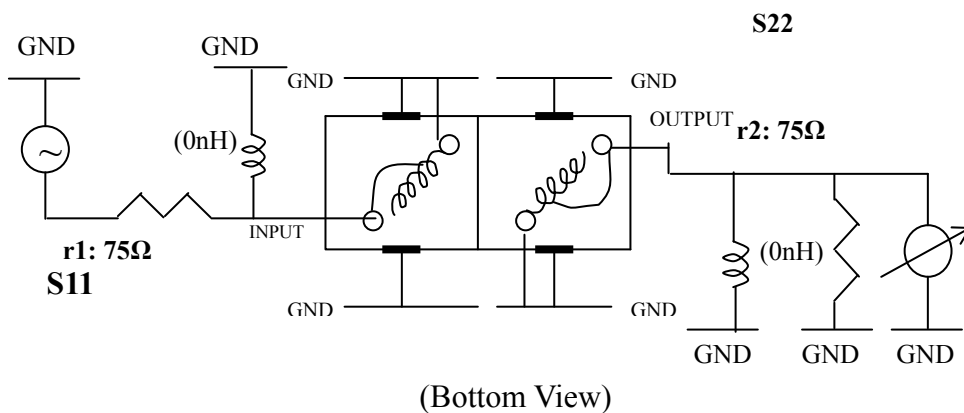
# VHF UHF Helical Filter Specification Sheet

Customer Name		Temwell's Part No.	TDL6217F-495.25M
Approval No. /dated	0612057APR	Acceptable Specify Fo Range	456~515 MHz
Work Instruction No.	0612057DC	Date	Jan.02.2007



(3) Electric Characteristic			
Item		Specify	Performance
Center Freq.(Fo) +/- 0.5 %		495.25 MHz	495.25 MHz
Tunable Range		495.25±5 MHz	495.25±5 MHz
Insertion Loss		Typ. 5 dB	4.0 dB
-3 dB Bandwidth		Typ. 6 MHz	7.7 MHz
Sensitivity (Attenuation)	Fo - 20 MHz	Typ. 25 dBc	28 dBc
	Fo + 20 MHz	Typ. 18 dBc	21 dBc
	Fo - ( )MHz	Typ. dBc	dBc
	Fo + ( )MHz	Typ. dBc	dBc
Return Loss		Min. 12 dB	23.0 dB
Ripple		< 1 dB	dB
Impedance		In / Out : 75 Ω	In / Out : 75 Ω
(4) Torque for Tuning Screw		> 100gf · cm	
(5) Temperature Condition:			
Operating Temperature		0°C ~ +60°C	
Storage Temperature		-20°C ~ +70°C	
(6) Input Power		> 1 Watt	

(7) Measuring Circuit: ※ Easy to match Impedance /75Ω by parallel with about ( 0 ) nH. ( 0 ) nH

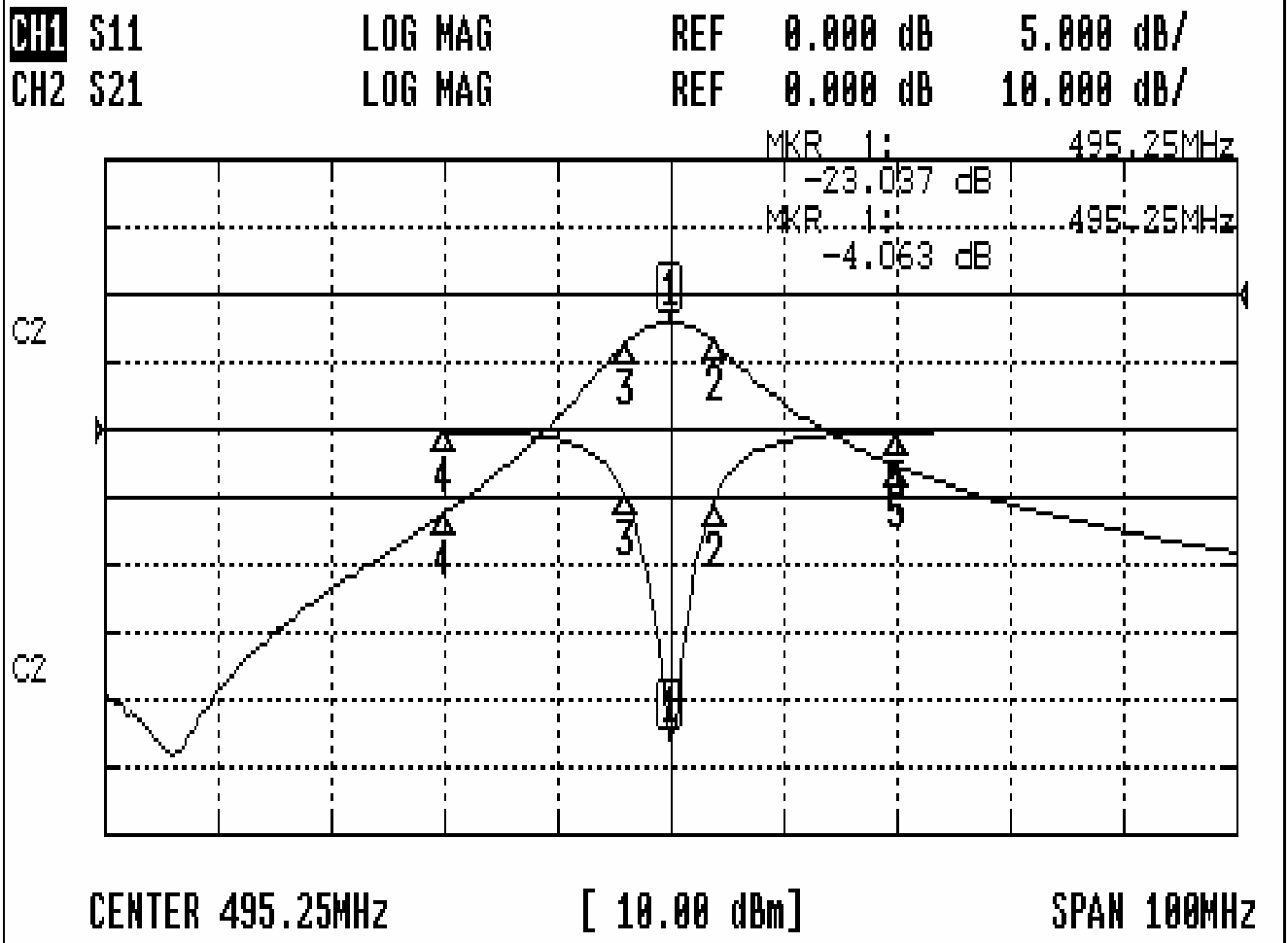


Approval	Supervisor	Designer	Aperture size
C.Y.Chang	C.S.Chang	W.W.Wang	7H2(4*5.35)F 7H046LB4 聚 3

TEMWELL CORPORATION

# Performance-TDL6217F-495.25M

## 0612057DC



### CH1 MARKER LIST

1:	495.250MHz	-23.041 dB
2:	499.083MHz	-5.468 dB
3:	491.333MHz	-5.024 dB
4:	475.250MHz	-0.147 dB
5:	515.250MHz	-0.200 dB

### CH2 MARKER LIST

1:	495.250MHz	-4.063 dB
2:	499.083MHz	-7.011 dB
3:	491.333MHz	-7.065 dB
4:	475.250MHz	-32.302 dB
5:	515.250MHz	-25.376 dB