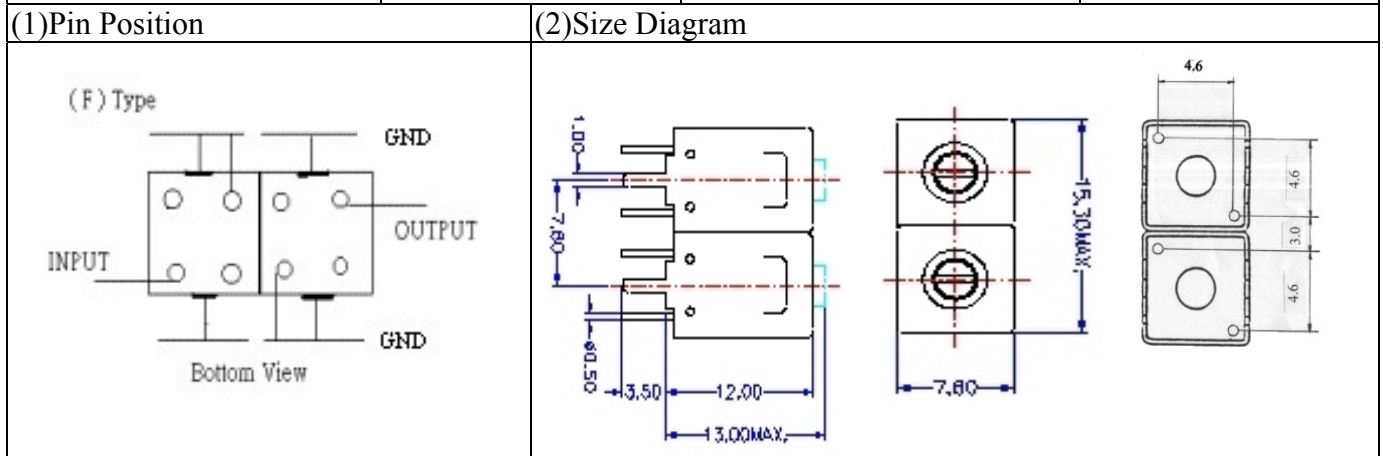


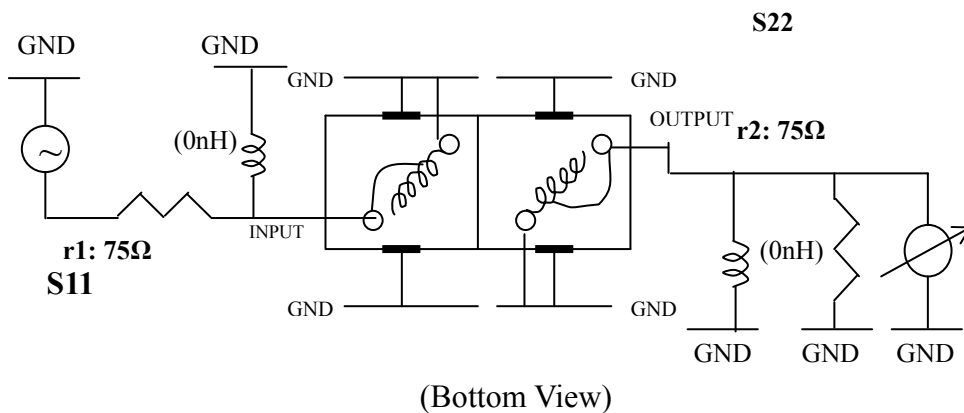
VHF UHF Helical Filter Specification Sheet

Customer Name		Temwell's Part No.	TDL6232F-555.25M
Approval No. /dated	0612067APR	Acceptable Specify Fo Range	516~555 MHZ
Work Instruction No.	0612067DC	Date	Jan.04.2007



(3) Electric Characteristic			
Item		Specify	Performance
Center Freq.(Fo) +/- 0.5 %		555.25 MHz	555.25 MHz
Tunable Range		555.25±5 MHz	555.25±5 MHz
Insertion Loss		Typ. 5.0 dB	4.11 dB
-3 dB Bandwidth		Typ. 6 MHz	8.9 MHz
Sensitivity (Attenuation)	Fo - 20 MHz	Typ. 21 dB	24 dB
	Fo + 20 MHz	Typ. 15 dB	18 dB
	Fo - ()MHz	Typ. dB	dB
	Fo +()MHz	Typ. dB	dB
Return Loss		Min. 12 dB	26.4 dB
Ripple		< 1 dB	dB
Impedance		In / Out : 75 Ω	In / Out : 75 Ω
(4) Torque for Tuning Screw		> 100gf · cm	
(5) Temperature Condition:			
Operating Temperature		0°C ~ +60°C	
Storage Temperature		-20°C ~ +70°C	
(6) Input Power		> 1 Watt	

(7) Measuring Circuit: ※ Easy to match Impedance /75Ω by parallel with about (0) nH.

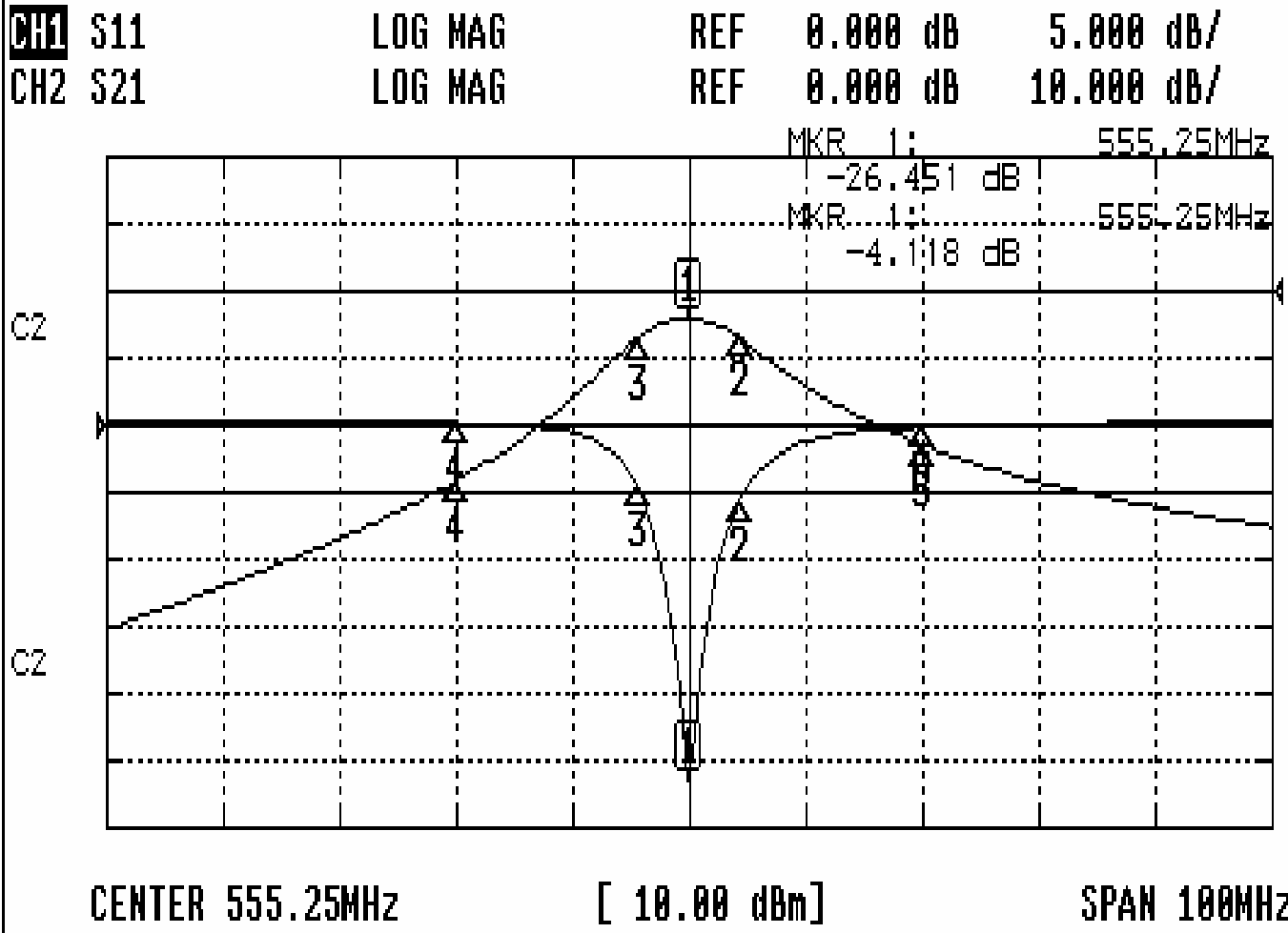


Approval	Supervisor	Designer	Aperture size
C.Y.Chang	C.S.Chang	W.W.Wang	7H2(4*5.35)F 7H046LB4 聚 3

TEMWELL CORPORATION

Performance-TDL6232F-555.25M

0612067DC



CH1 MARKER LIST

1	555.250MHz	-26.451 dB
2	559.666MHz	-5.572 dB
3	570.750MHz	-4.439 dB
4	585.250MHz	-0.159 dB
5	575.250MHz	-0.123 dB

CH2 MARKER LIST

1	555.250MHz	-4.118 dB
2	559.666MHz	-7.160 dB
3	570.750MHz	-7.083 dB
4	585.250MHz	-28.195 dB
5	575.250MHz	-22.882 dB