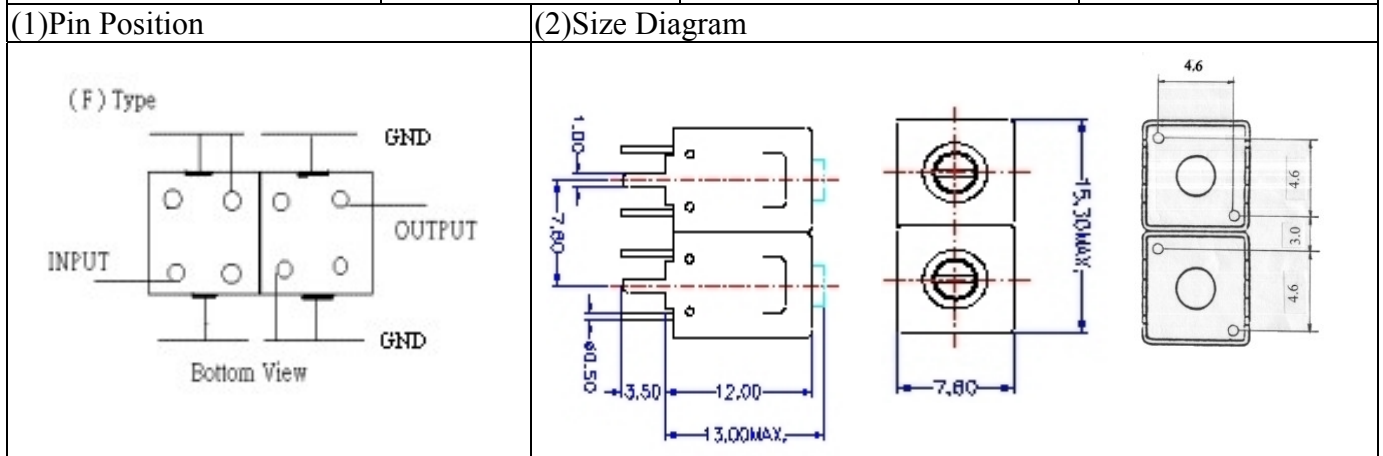


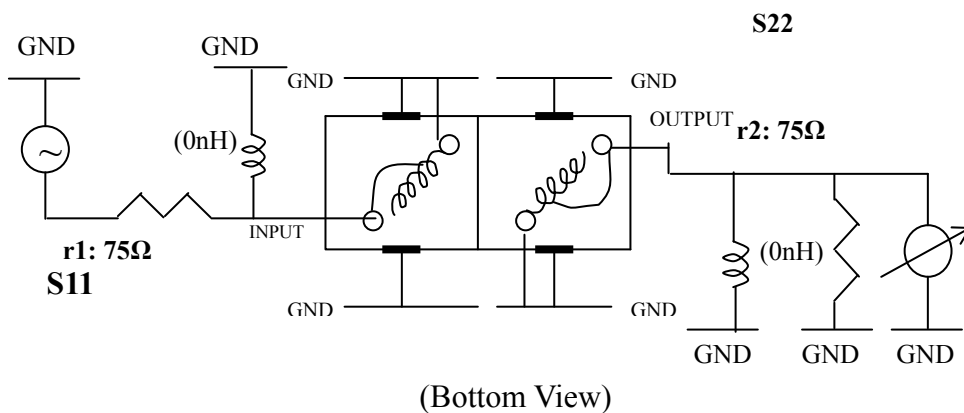
VHF UHF Helical Filter Specification Sheet

Customer Name		Temwell's Part No.	TDL6233F-561.25M
Approval No. /dated	0612068APR	Acceptable Specify Fo Range	556~595 MHZ
Work Instruction No.	0612068DC	Date	Jan.04.2007



(3) Electric Characteristic			
Item		Specify	Performance
Center Freq.(Fo) +/- 0.5 %		561.25 MHz	561.25 MHz
Tunable Range		561.25±5 MHz	561.25±5 MHz
Insertion Loss		Typ. 4.5 dB	3.4 dB
-3 dB Bandwidth		Typ. 6 MHz	8.6 MHz
Sensitivity (Attenuation)	Fo - 20 MHz	Typ. 22 dB	25 dB
	Fo + 20 MHz	Typ. 18 dB	21 dB
	Fo - ()MHz	Typ. dB	dB
	Fo +()MHz	Typ. dB	dB
Return Loss		Min. 12 dB	33.2 dB
Ripple		< 1 dB	dB
Impedance		In / Out : 75 Ω	In / Out : 75 Ω
(4) Torque for Tuning Screw		> 100gf · cm	
(5) Temperature Condition:			
Operating Temperature		0°C ~ +60°C	
Storage Temperature		-20°C ~ +70°C	
(6) Input Power		> 1 Watt	

(7) Measuring Circuit: ※ Easy to match Impedance /75Ω by parallel with about (0) nH.



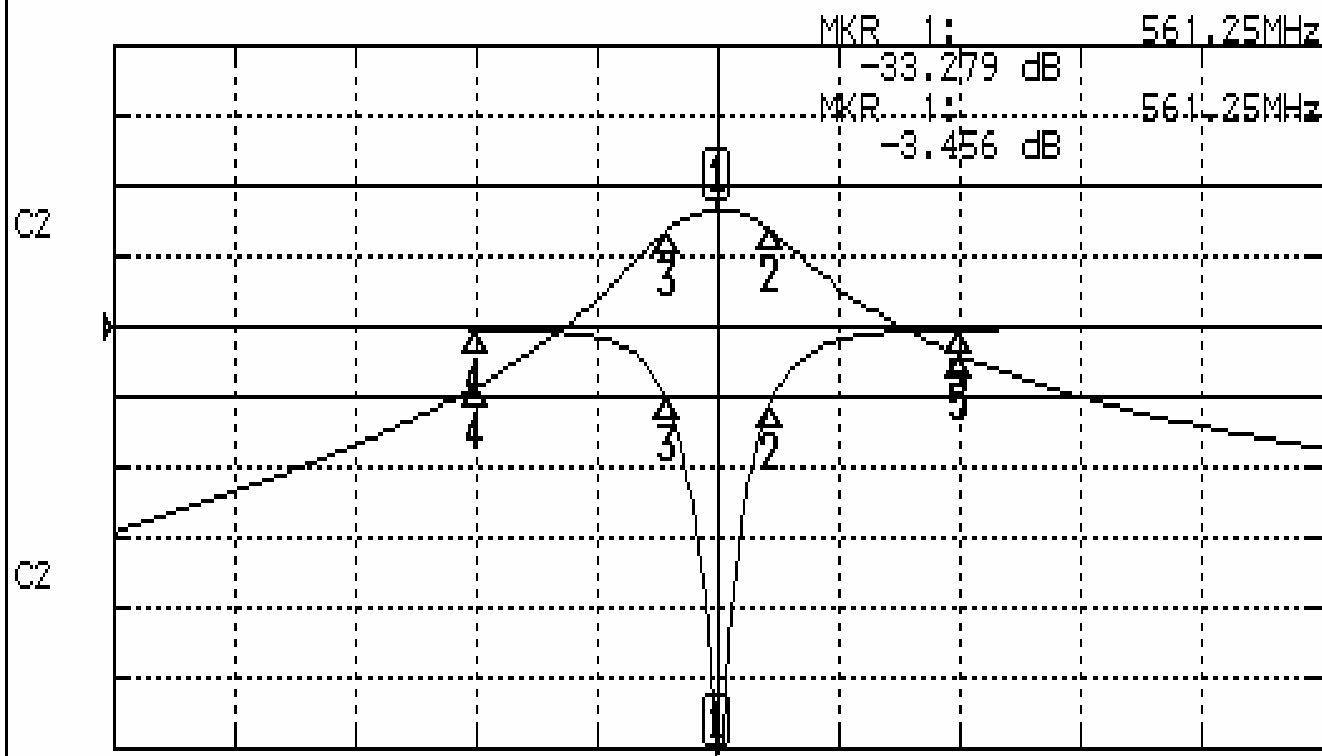
Approval	Supervisor	Designer	Aperture size
C.Y.Chang	C.S.Chang	W.W.Wang	7H2(4*4.5) 7H046LB4 聚 3

TEMWELL CORPORATION

Performance-TDL6233F-561.25M

0612068DC

CH1 S11 LOG MAG REF 0.000 dB 5.000 dB/
CH2 S21 LOG MAG REF 0.000 dB 10.000 dB/



CENTER 561.25MHz

[10.00 dBm]

SPAN 100MHz

CH1 MARKER LIST

1:	561.250MHz	-33.279 dB
2:	565.666MHz	-15.464 dB
3:	557.000MHz	-15.155 dB
4:	541.250MHz	-0.155 dB
5:	581.250MHz	-0.198 dB

CH2 MARKER LIST

1:	561.250MHz	-3.456 dB
2:	565.666MHz	-6.410 dB
3:	557.000MHz	-6.494 dB
4:	541.250MHz	-28.468 dB
5:	581.250MHz	-24.060 dB