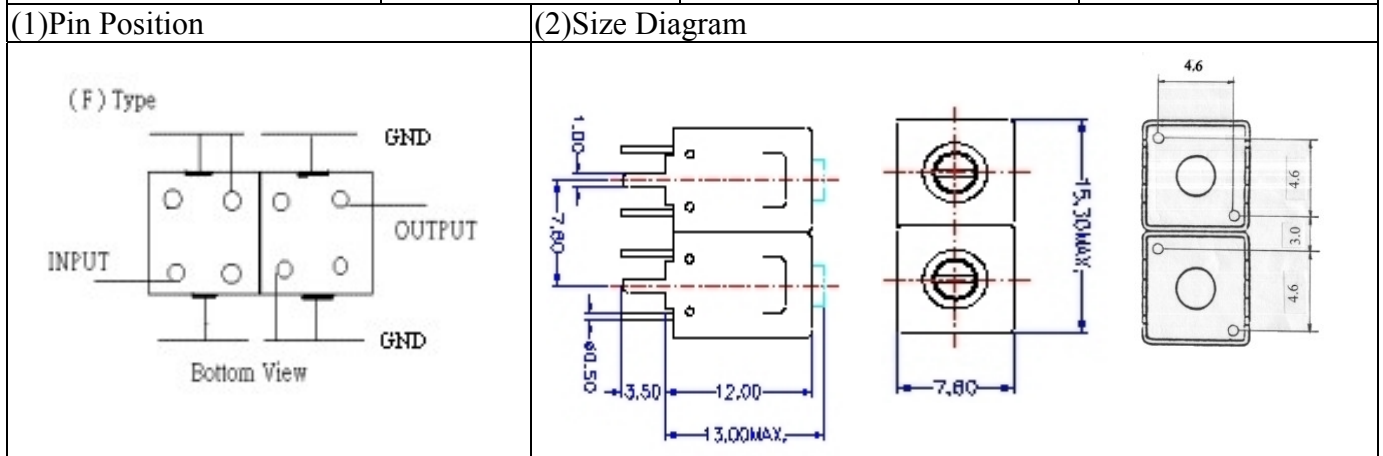


VHF UHF Helical Filter Specification Sheet

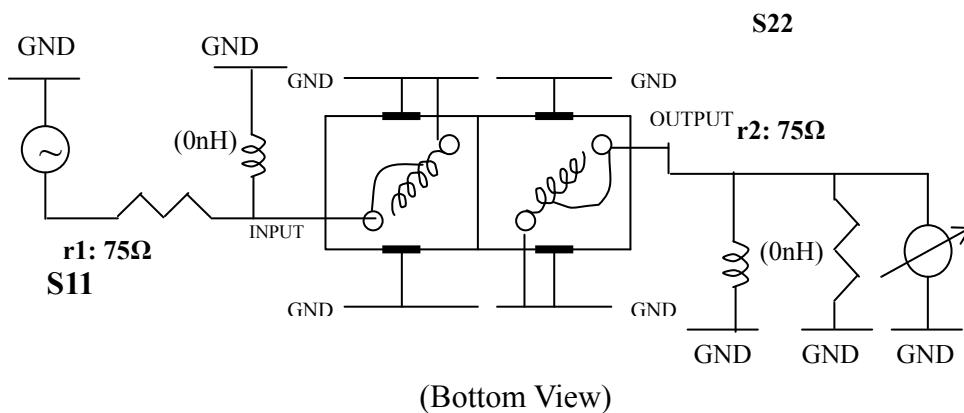
Customer Name		Temwell's Part No.	TDL6234F-567.25M
Approval No. /dated	0612069APR	Acceptable Specify Fo Range	556~595 MHZ
Work Instruction No.	0612069DC	Date	Jan.04.2007



(3) Electric Characteristic			
Item		Specify	Performance
Center Freq.(Fo) +/- 0.5 %		567.25 MHz	567.25 MHz
Tunable Range		567.25±5 MHz	567.25±5 MHz
Insertion Loss		Typ. 4.5 dB	3.44 dB
-3 dB Bandwidth		Typ. 6 MHz	8.7 MHz
Sensitivity (Attenuation)	Fo - 20 MHz	Typ. 22 dB	25 dB
	Fo + 20 MHz	Typ. 17 dB	20 dB
	Fo - ()MHz	Typ. dB	dB
	Fo + ()MHz	Typ. dB	dB
Return Loss		Min. 12 dB	36.2 dB
Ripple		< 1 dB	dB
Impedance		In / Out : 75 Ω	In / Out : 75 Ω
(4) Torque for Tuning Screw		> 100gf · cm	

(5) Temperature Condition:	
Operating Temperature	0°C ~ +60°C
Storage Temperature	-20°C ~ +70°C
(6) Input Power	> 1 Watt

(7) Measuring Circuit: ※ Easy to match Impedance /75Ω by parallel with about (0) nH.

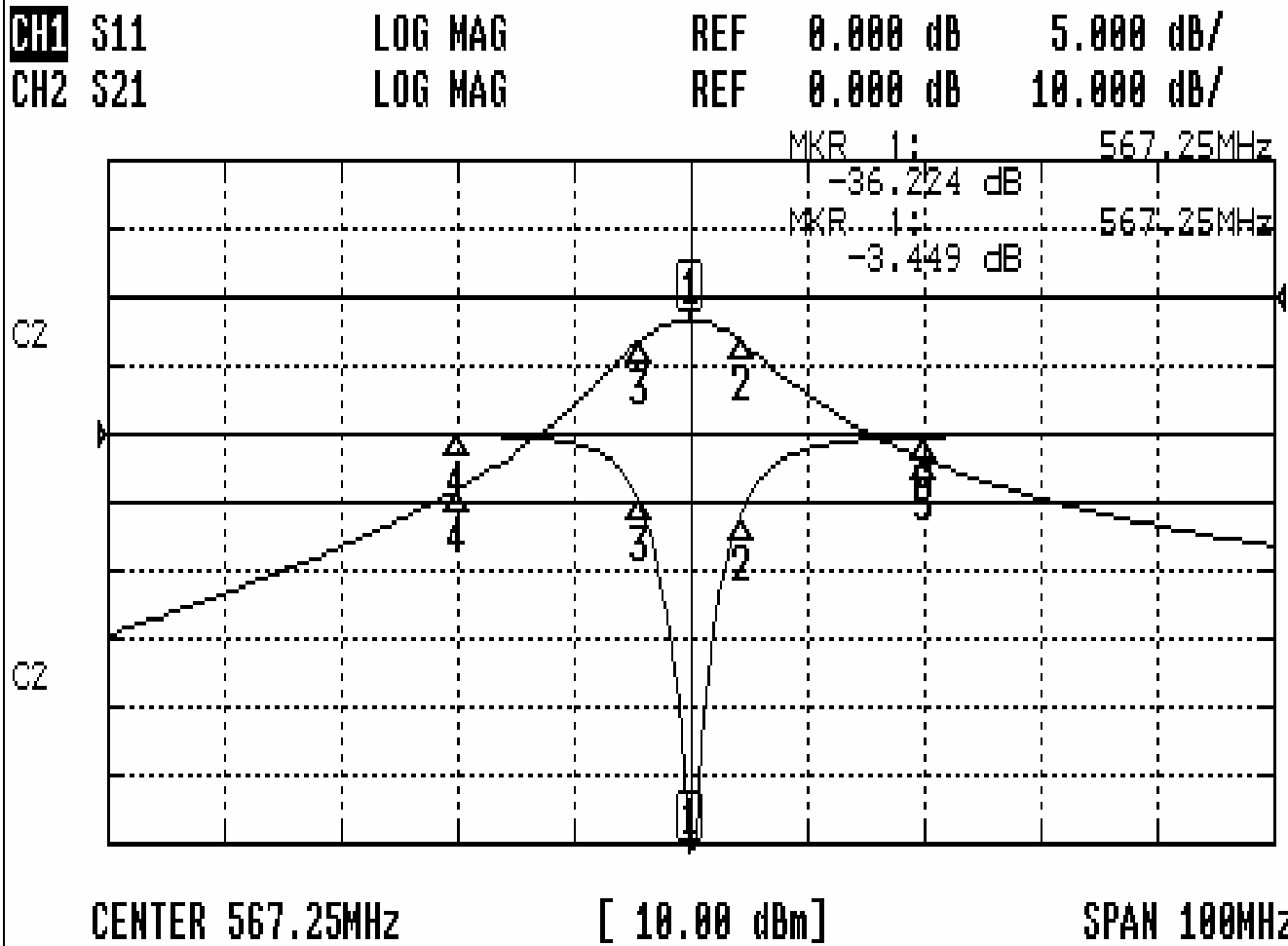


Approval	Supervisor	Designer	Aperture size
C.Y.Chang	C.S.Chang	W.W.Wang	7H2(4*4.5) 7H046LB4 聚 3

TEMWELL CORPORATION

Performance-TDL6234F-567.25M

0612069DC



CH1 MARKER LIST

1:	567.250MHz	-36.224	dB
2:	571.583MHz	-1.500	dB
3:	562.833MHz	-1.490	dB
4:	547.250MHz	-0.050	dB
5:	587.250MHz	-0.181	dB

CH2 MARKER LIST

1:	567.250MHz	-3.456	dB
2:	571.583MHz	-6.447	dB
3:	562.833MHz	-6.448	dB
4:	547.250MHz	-28.089	dB
5:	587.250MHz	-23.611	dB