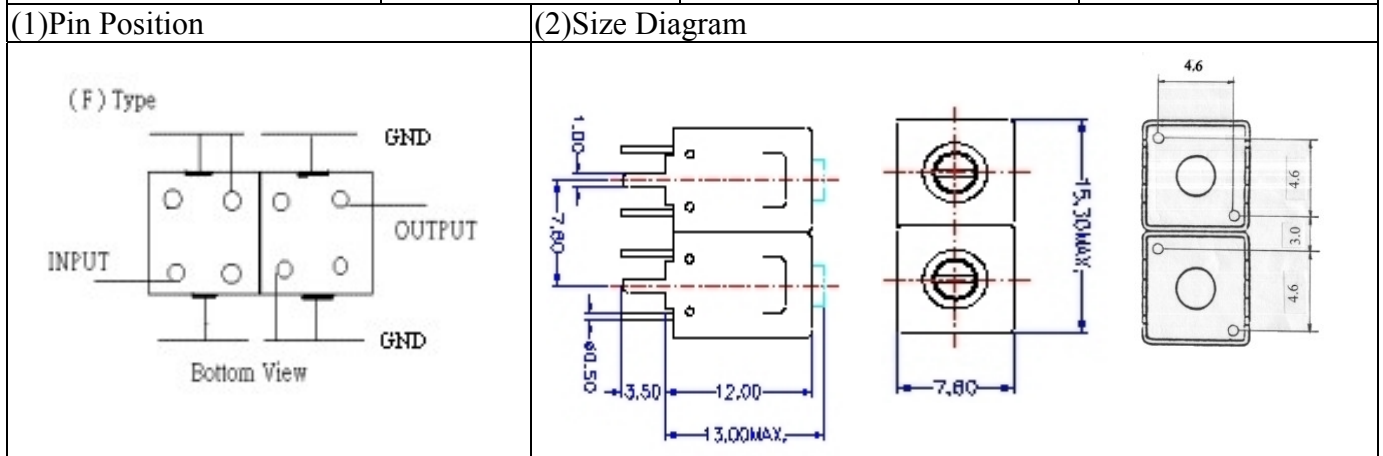


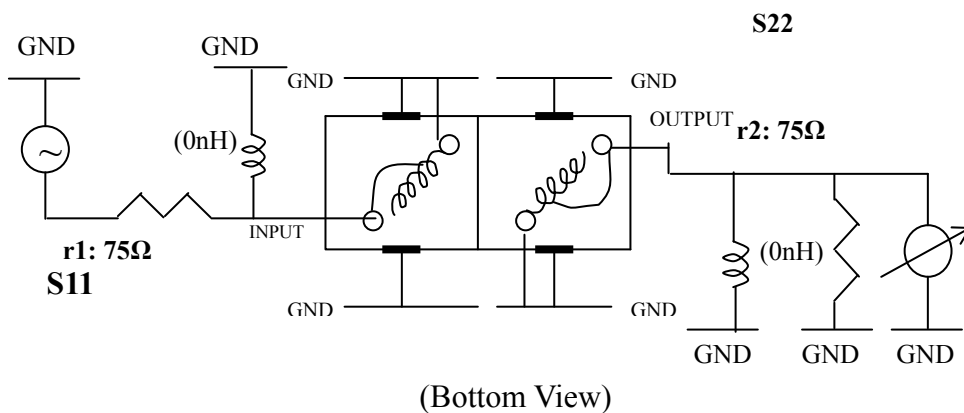
# VHF UHF Helical Filter Specification Sheet

Customer Name		Temwell's Part No.	TDL6236F-579.25M
Approval No. /dated	0612071APR	Acceptable Specify Fo Range	556~595 MHz
Work Instruction No.	0612071DC	Date	Jan.04.2007



(3) Electric Characteristic			
Item		Specify	Performance
Center Freq.(Fo) +/- 0.5 %		579.25 MHz	579.25 MHz
Tunable Range		579.25±5 MHz	579.25±5 MHz
Insertion Loss		Typ. 4.5 dB	3.66 dB
-3 dB Bandwidth		Typ. 6 MHz	8.9 MHz
Sensitivity (Attenuation)	Fo - 20 MHz	Typ. 20 dB	23 dB
	Fo + 20 MHz	Typ. 17 dB	20 dB
	Fo - ( )MHz	Typ. dB	dB
	Fo +( )MHz	Typ. dB	dB
Return Loss		Min. 12 dB	31.8 dB
Ripple		< 1 dB	dB
Impedance		In / Out : 75 Ω	In / Out : 75 Ω
(4) Torque for Tuning Screw		> 100gf · cm	
(5) Temperature Condition:			
Operating Temperature		0°C ~ +60°C	
Storage Temperature		-20°C ~ +70°C	
(6) Input Power		> 1 Watt	

(7) Measuring Circuit: ※ Easy to match Impedance /75Ω by parallel with about ( 0 ) nH.

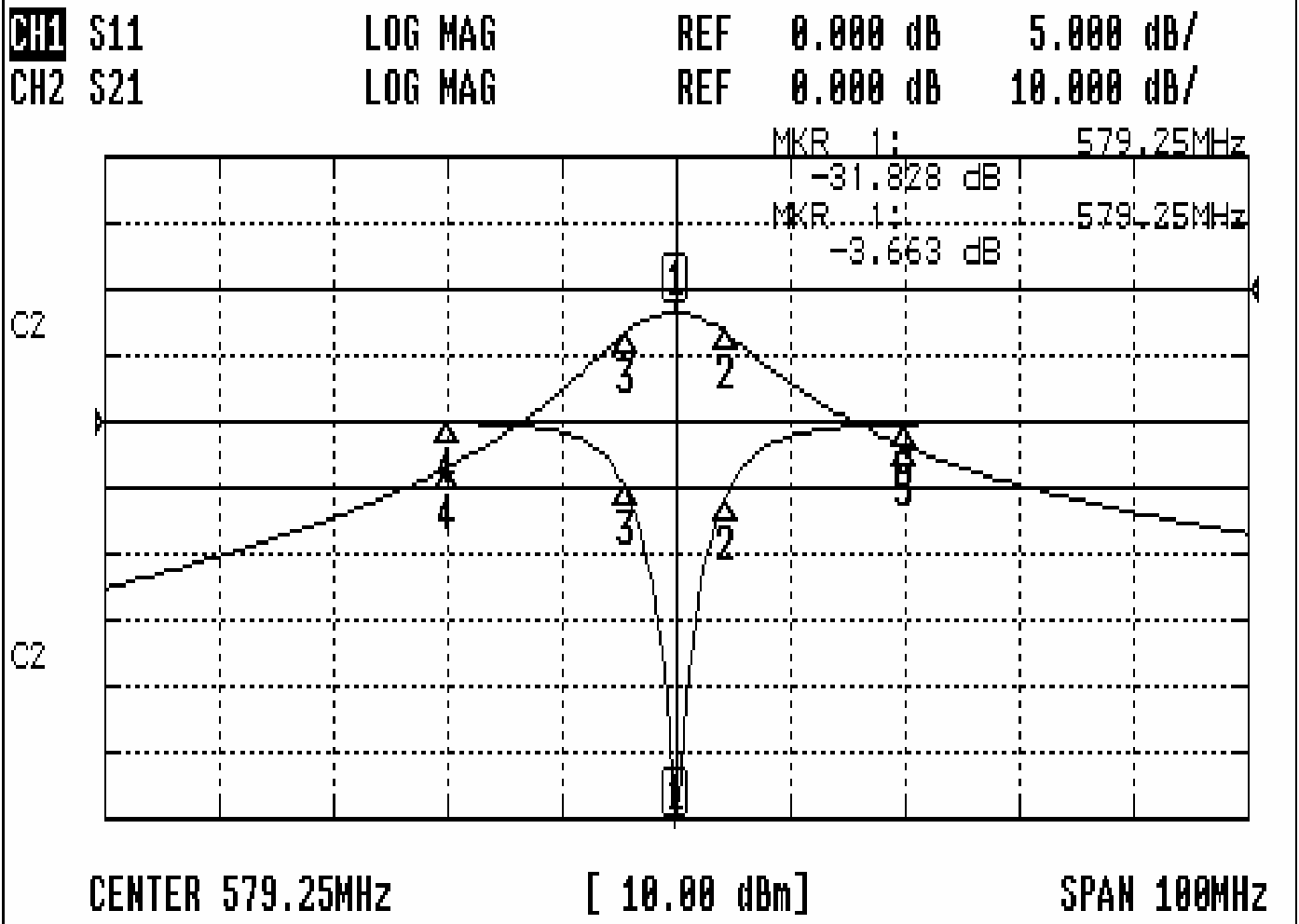


Approval	Supervisor	Designer	Aperture size
C.Y.Chang	C.S.Chang	W.W.Wang	7H2(4*4.65)F 7H046LB4 聚 3

TEMWELL CORPORATION

# Performance-TDL6236F-579.25M

## 0612071DC



### CH1 MARKER LIST

1	579.250MHz	-31.828	dB
2	583.666MHz	-5.639	dB
3	574.750MHz	-4.786	dB
4	559.250MHz	-0.086	dB
5	599.250MHz	-0.179	dB

### CH2 MARKER LIST

1	579.250MHz	-3.663	dB
2	583.666MHz	-16.632	dB
3	574.750MHz	-16.698	dB
4	559.250MHz	-26.848	dB
5	599.250MHz	-23.621	dB