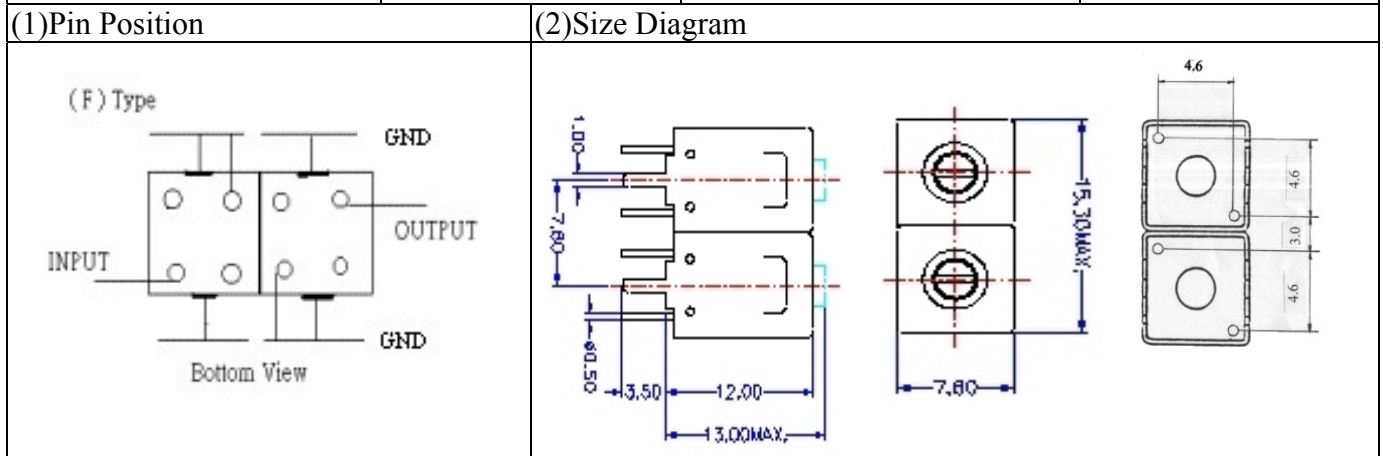


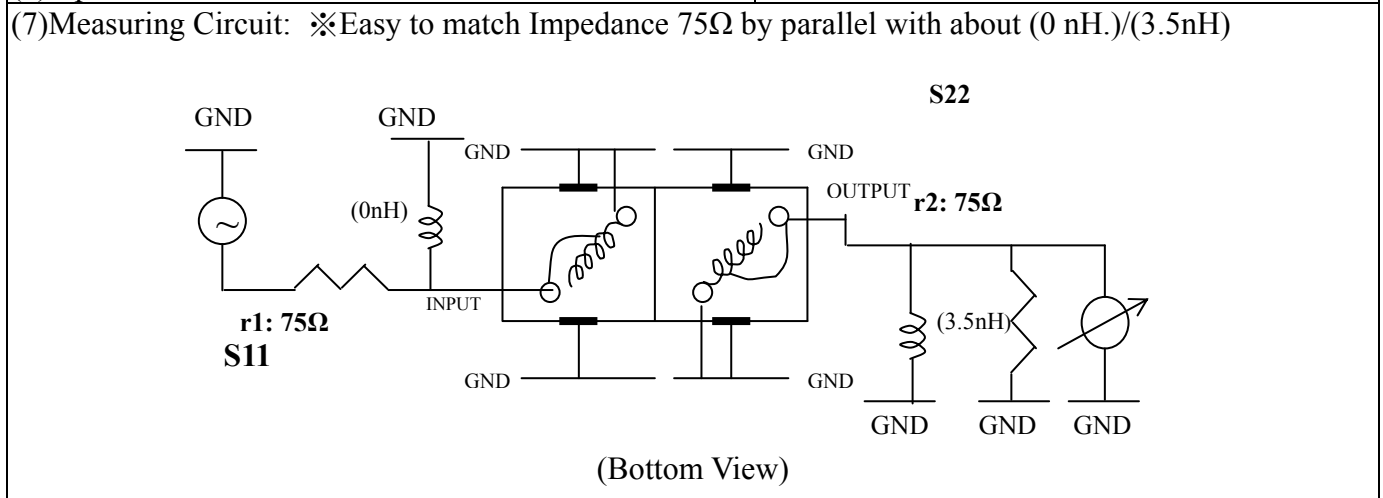
# VHF UHF Helical Filter Specification Sheet

Customer Name		Temwell's Part No.	TDL6237F-585.25M
Approval No. /dated	0612072APR	Acceptable Specify Fo Range	556~595 MHZ
Work Instruction No.	0612072DC	Date	Jan.04.2007



(3) Electric Characteristic			
Item		Specify	Performance
Center Freq.(Fo) +/- 0.5 %		585.25 MHz	585.25 MHz
Tunable Range		585.25±5 MHz	585.25±5 MHz
Insertion Loss		Typ. 6.0 dB	4.97 dB
-3 dB Bandwidth		Typ. 6 MHz	8.0 MHz
Sensitivity (Attenuation)	Fo - 30 MHz	Typ. 29 dB	32 dB
	Fo + 30 MHz	Typ. 23 dB	26 dB
	Fo - ( )MHz	Typ. dB	dB
	Fo +( )MHz	Typ. dB	dB
Return Loss		Min. 12 dB	19.8 dB
Ripple		< 1 dB	dB
Impedance		In / Out : 75 Ω	In / Out : 75 Ω
(4) Torque for Tuning Screw		> 100gf · cm	

(5) Temperature Condition:	
Operating Temperature	0°C ~ +60°C
Storage Temperature	-20°C ~ +70°C
(6) Input Power	> 1 Watt



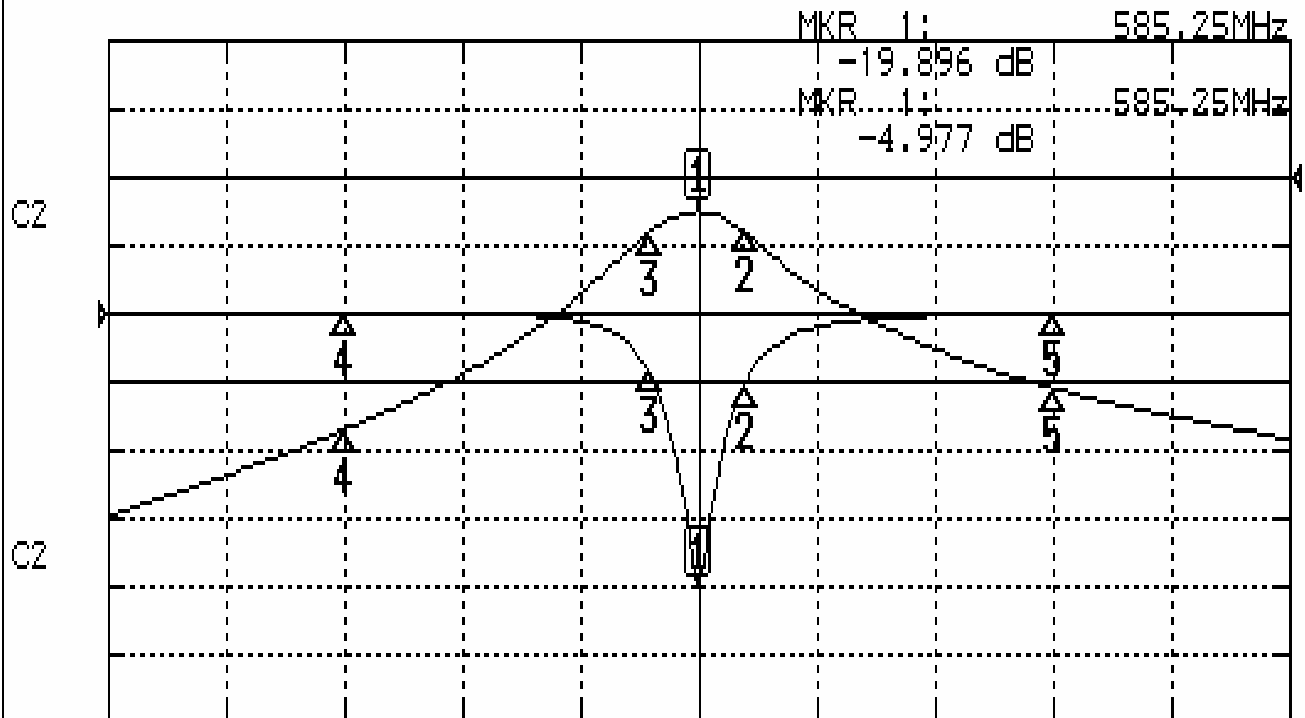
Approval	Supervisor	Designer	Aperture size
C.Y.Chang	C.S.Chang	J.F.Lin	7H2S(4*4.5)F 7H046LB4 聚 3

TEMWELL CORPORATION

# Performance-TDL6237F-585.25M

## 0612072DC

CH1 S11 LOG MAG REF 0.000 dB 5.000 dB/  
CH2 S21 LOG MAG REF 0.000 dB 10.000 dB/



CENTER 585.25MHz

[ 10.00 dBm ]

SPAN 100MHz

### CH1 MARKER LIST

1:	585.250MHz	-19.896	dB
2:	589.083MHz	-5.271	dB
3:	581.083MHz	-4.260	dB
4:	555.250MHz	0.129	dB
5:	615.250MHz	0.026	dB

### CH2 MARKER LIST

1:	585.250MHz	-4.977	dB
2:	589.083MHz	-7.897	dB
3:	581.083MHz	-7.967	dB
4:	555.250MHz	-36.954	dB
5:	615.250MHz	-30.915	dB