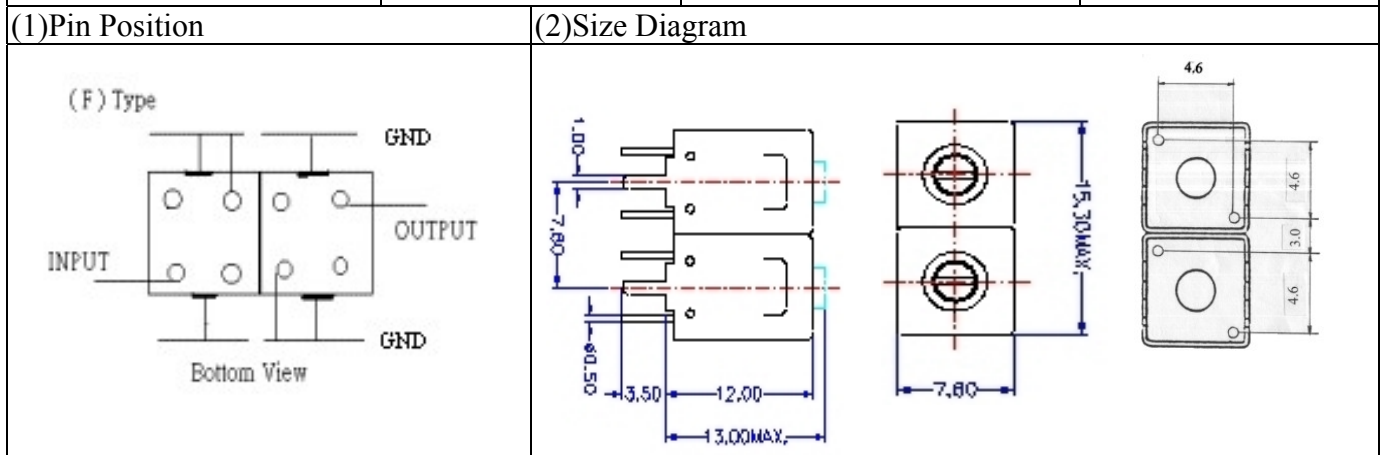


VHF UHF Helical Filter Specification Sheet

Customer Name		Temwell's Part No.	TDL6238F-591.25M
Approval No. /dated	0612073APR	Acceptable Specify Fo Range	556~595 MHz
Work Instruction No.	0612073DC	Date	Jan.04.2007

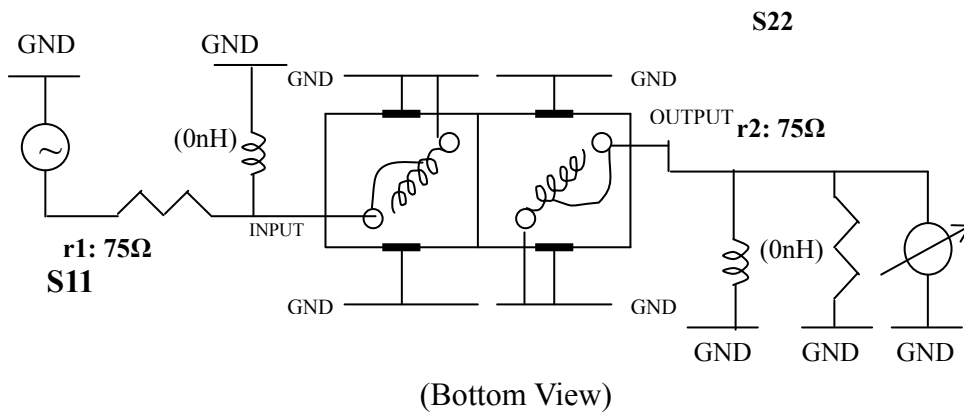


(3) Electric Character			
Item		Specify	Performance
Center Freq.(Fo) +/- 0.5 %		591.25 MHz	591.25 MHz
Tunable Range		591.25±5 MHz	591.25±5 MHz
Insertion Loss		Typ. 5.0 dB	4.06 dB
-3 dB Bandwidth		Typ. 6 MHz	8.0 MHz
Sensitivity (Attenuation)	Fo - 30 MHz	Typ. 24 dB	32 dB
	Fo + 30 MHz	Typ. 25 dB	28 dB
	Fo - ()MHz	Typ. dB	dB
	Fo +()MHz	Typ. dB	dB
Return Loss		Min. 12 dB	20.4 dB
Ripple		< 1 dB	dB
Impedance		In / Out : 75 Ω	In / Out : 75 Ω
(4) Torque for Tuning Screw		> 100gf · cm	

(5) Temperature Condition:	
Operating Temperature	0°C ~ +60°C
Storage Temperature	-20°C ~ +70°C

(6) Input Power	> 1Watt
-----------------	---------

(7) Measuring Circuit: ※Easy to match Impedance 75Ω by parallel with about (0) nH.

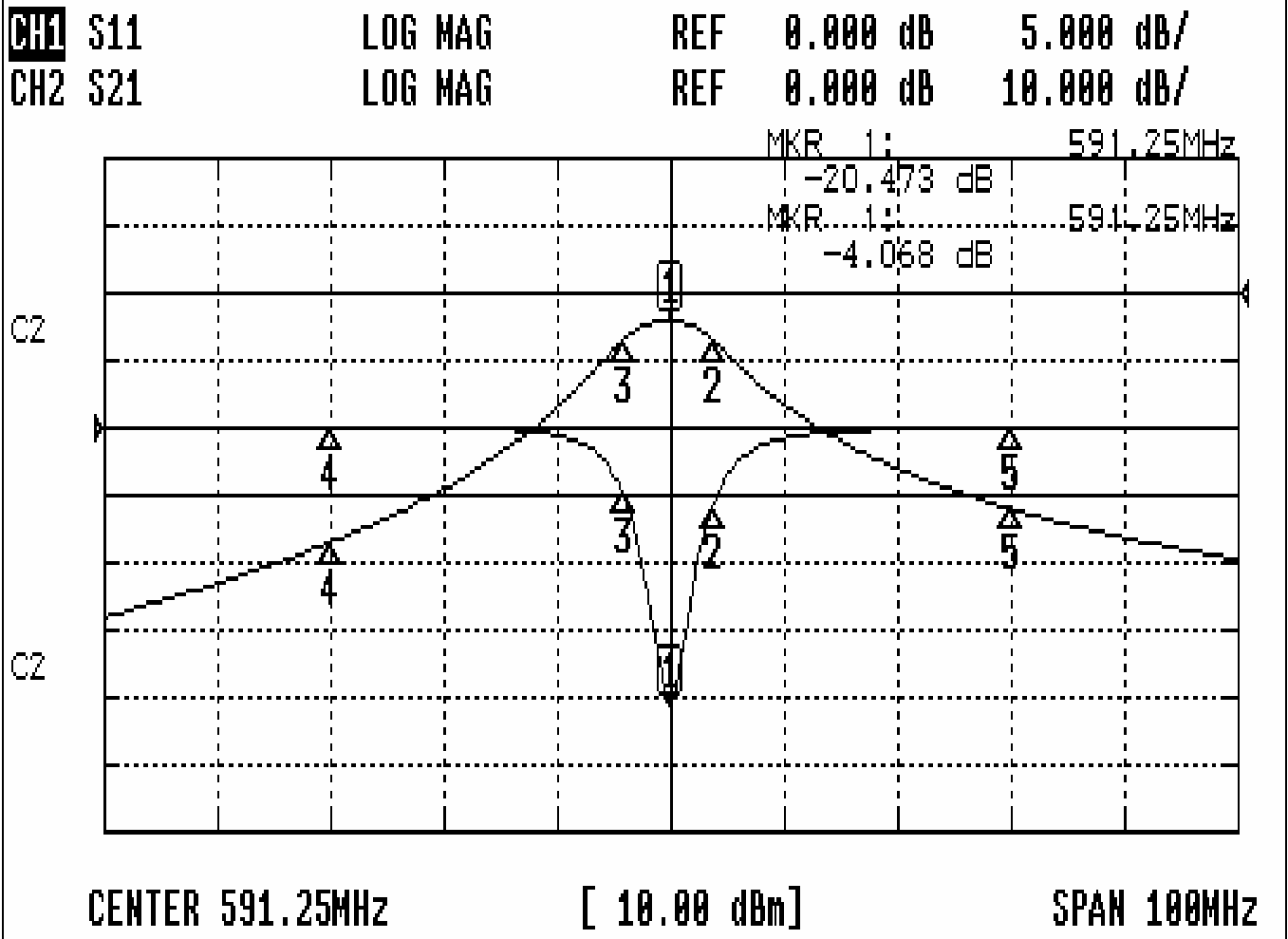


Approval	Supervisor	Designer	Aperture size
C.Y.Chang	C.S.Chang	J.F.Lin	7H2S(4*4.5)F 7H046LB4 聚 3

TEMWELL CORPORATION

Performance-TDL6238F-591.25M

0612073DC



CH1 MARKER LIST

1:	591.250MHz	-20.473 dB
2:	595.000MHz	-5.784 dB
3:	597.000MHz	-4.781 dB
4:	561.250MHz	0.115 dB
5:	621.250MHz	0.039 dB

CH2 MARKER LIST

1:	591.250MHz	-4.073 dB
2:	595.000MHz	-7.010 dB
3:	597.000MHz	-7.053 dB
4:	561.250MHz	-36.888 dB
5:	621.250MHz	-32.014 dB