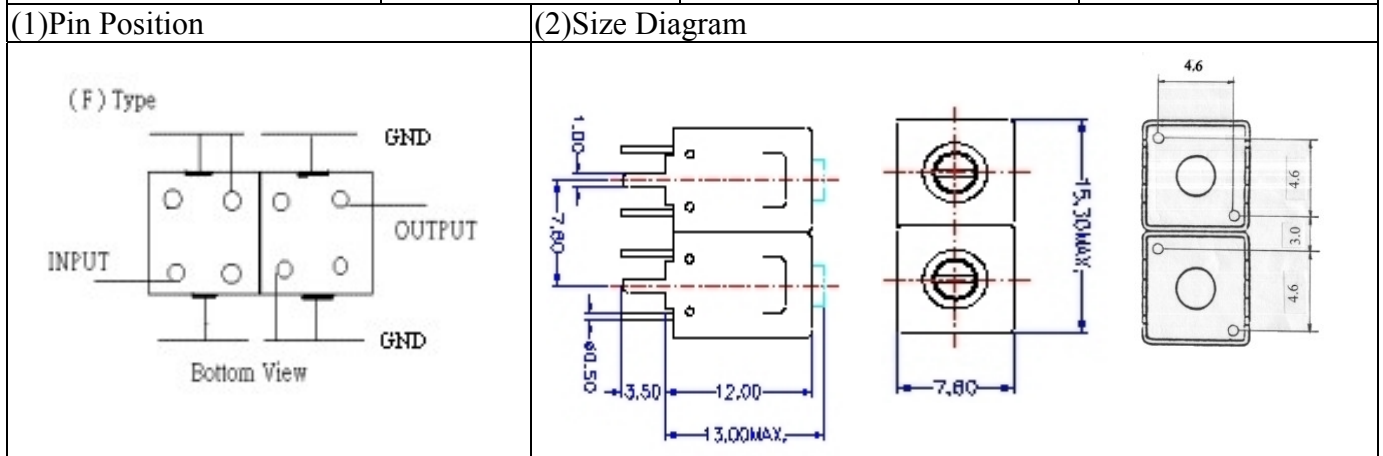
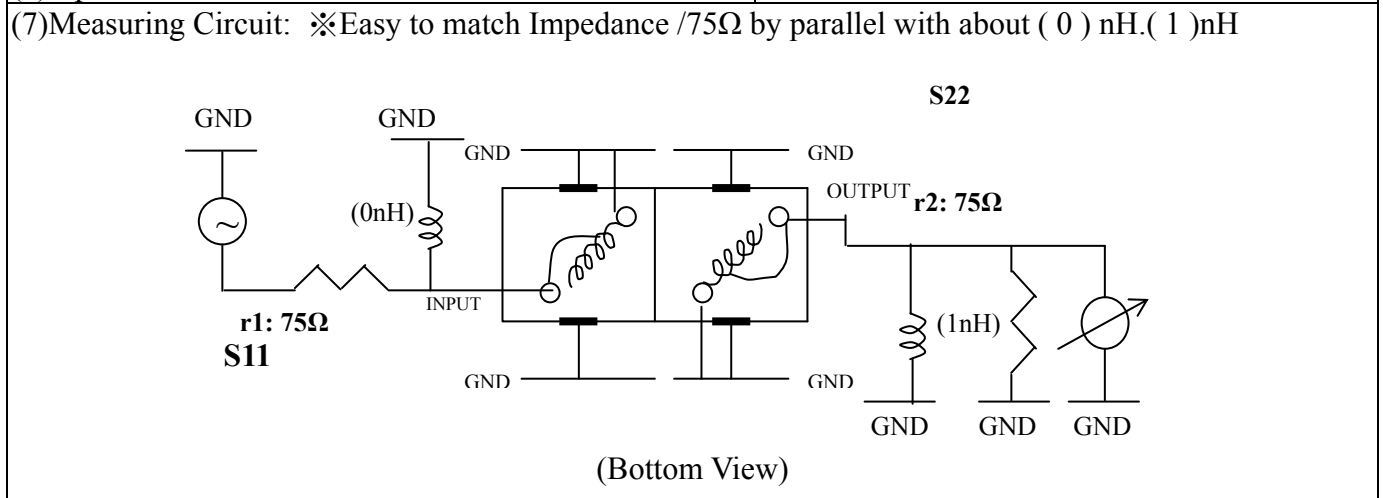


VHF UHF Helical Filter Specification Sheet

Customer Name		Temwell's Part No.	TDL6243F-621.25M
Approval No. /dated	0612078APR	Acceptable Specify Fo Range	596~640 MHz
Work Instruction No.	0612078DC	Date	Jan.03.2007



(3) Electric Character			
Item	Specify	Performance	
Center Freq.(Fo) +/- 0.5 %	621.25 MHz	621.25 MHz	
Tunable Range	621.25±5 MHz	621.25±5 MHz	
Insertion Loss	Typ. 5.0 dB	4.15 dB	
-3 dB Bandwidth	Typ. 6 MHz	9.0 MHz	
Sensitivity (Attenuation)	Fo - 30 MHz	Typ. 27 dB	30 dB
	Fo + 30 MHz	Typ. 21 dB	24 dB
	Fo - ()MHz	Typ. dB	dB
	Fo + ()MHz	Typ. dB	dB
Return Loss	Min. 12 dB	26.1 dB	
Ripple	< 1 dB	dB	
Impedance	In / Out : 75 Ω	In / Out : 75 Ω	
(4) Torque for Tuning Screw			
		> 100gf · cm	
(5) Temperature Condition:			
Operating Temperature	0°C ~ +60°C		
Storage Temperature	-20°C ~ +70°C		
(6) Input Power		> 1 Watt	

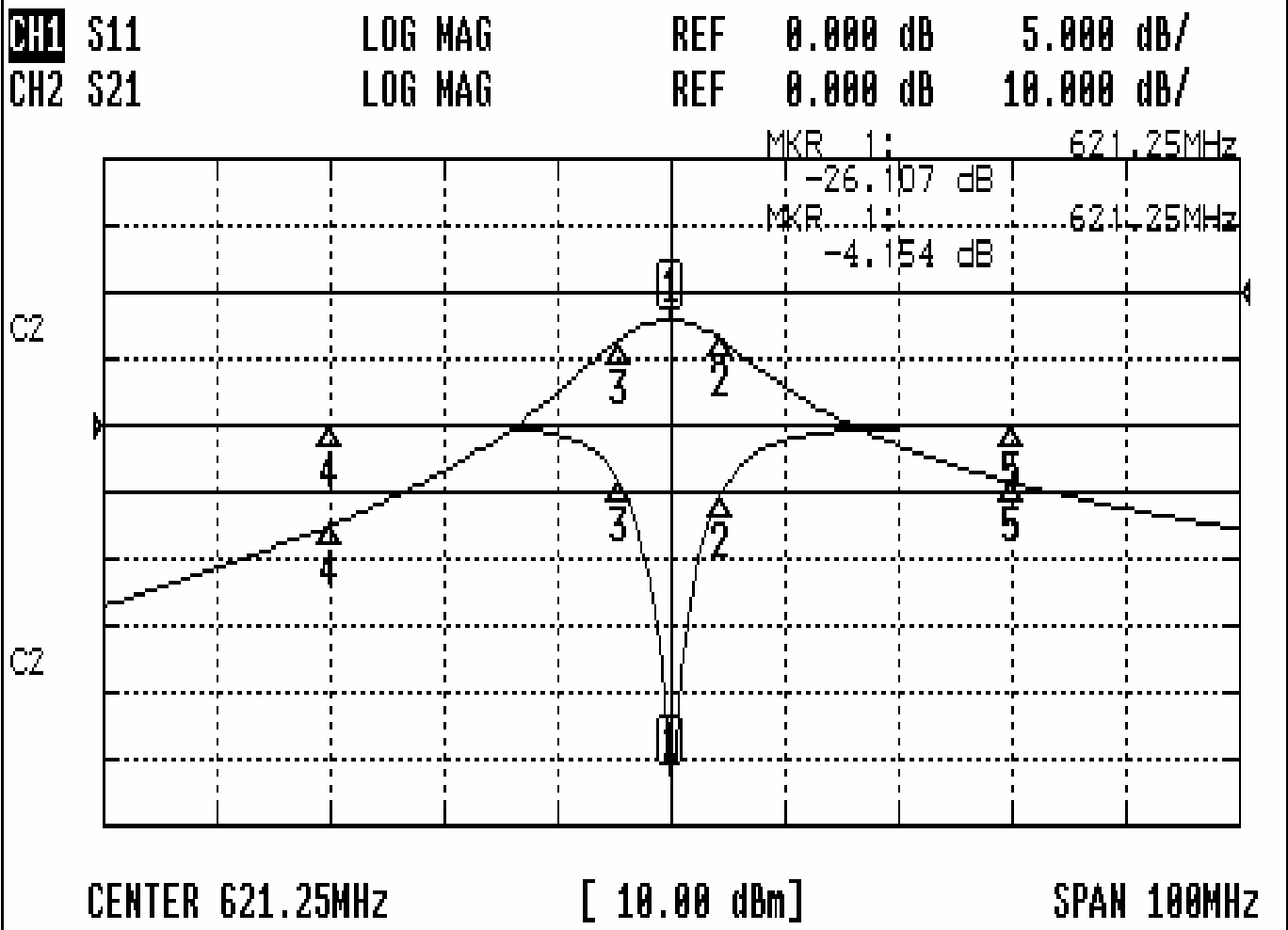


Approval	Supervisor	Designer	Aperture size
C.Y.Chang	C.S.Chang	J.F.Ling	7H2(4*4.65)F 7H046LB4 聚 3

TEMWELL CORPORATION

Performance-TDL6243F-621.25M

0612078DC



CH1 MARKER LIST

1:	621.250MHz	-26.107	dB
2:	625.583MHz	-5.335	dB
3:	616.583MHz	-4.063	dB
4:	591.250MHz	0.121	dB
5:	651.250MHz	0.013	dB

CH2 MARKER LIST

1:	621.250MHz	-4.156	dB
2:	625.583MHz	-7.077	dB
3:	616.583MHz	-7.130	dB
4:	591.250MHz	-34.926	dB
5:	651.250MHz	-28.492	dB