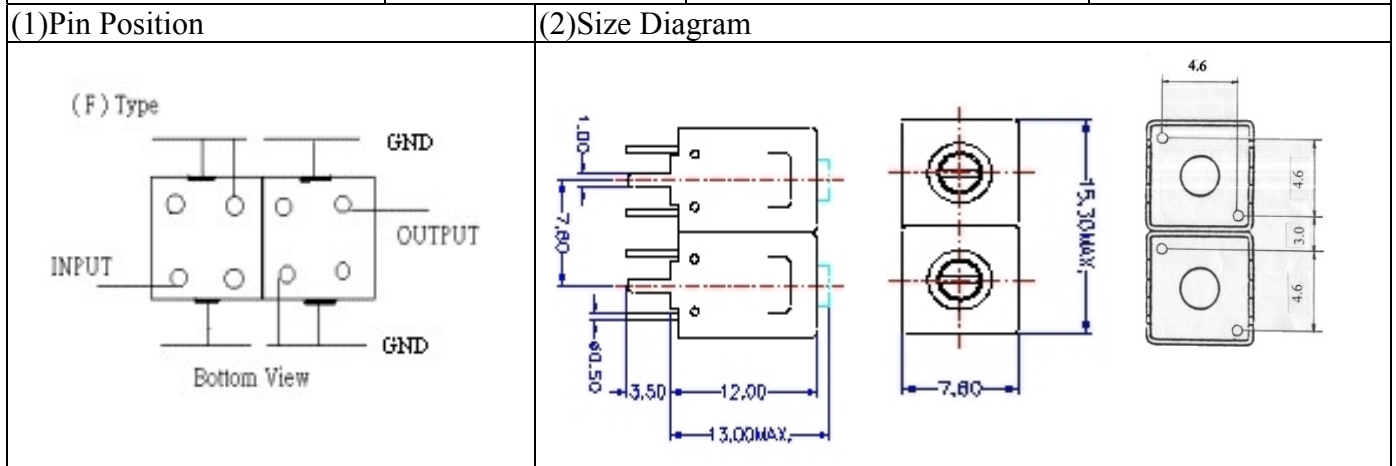


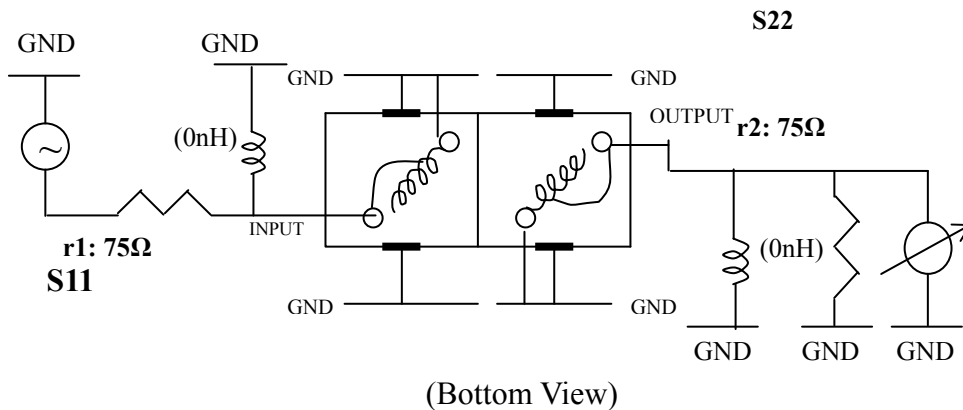
VHF UHF Helical Filter Specification Sheet

Customer Name		Temwell's Part No.	TDL6244F-627.25M
Approval No. /dated	0612079APR	Acceptable Specify Fo Range	596~640 MHz
Work Instruction No.	0612079DC	Date	Jan.03.2007



(3) Electric Character			
Item		Specify	Performance
Center Freq.(Fo) +/- 0.5 %		627.25 MHz	627.25 MHz
Tunable Range		627.25±5 MHz	627.25±5 MHz
Insertion Loss		Typ. 5.5 dB	4.32 dB
-3 dB Bandwidth		Typ. 6 MHz	9.6 MHz
Sensitivity (Attenuation)	Fo - 30 MHz	Typ. 26 dB	29 dB
	Fo + 30 MHz	Typ. 20 dB	23 dB
	Fo - ()MHz	Typ. dB	dB
	Fo +()MHz	Typ. dB	dB
Return Loss		Min. 12 dB	31.7 dB
Ripple		< 1 dB	dB
Impedance		In / Out : 75 Ω	In / Out : 75 Ω
(4) Torque for Tuning Screw		> 100gf · cm	
(5) Temperature Condition:			
Operating Temperature		0°C ~ +60°C	
Storage Temperature		-20°C ~ +70°C	
(6) Input Power		> 1Watt	

(7) Measuring Circuit: ※Easy to match Impedance 75Ω by parallel with about (0nH.)



Approval	Supervisor	Designer	Aperture size
C.Y.Chang	C.S.Chang	J.F.Lin	7H2S(4*4.5)F 7H046LB4 聚 3

TEMWELL CORPORATION

TEMWELL

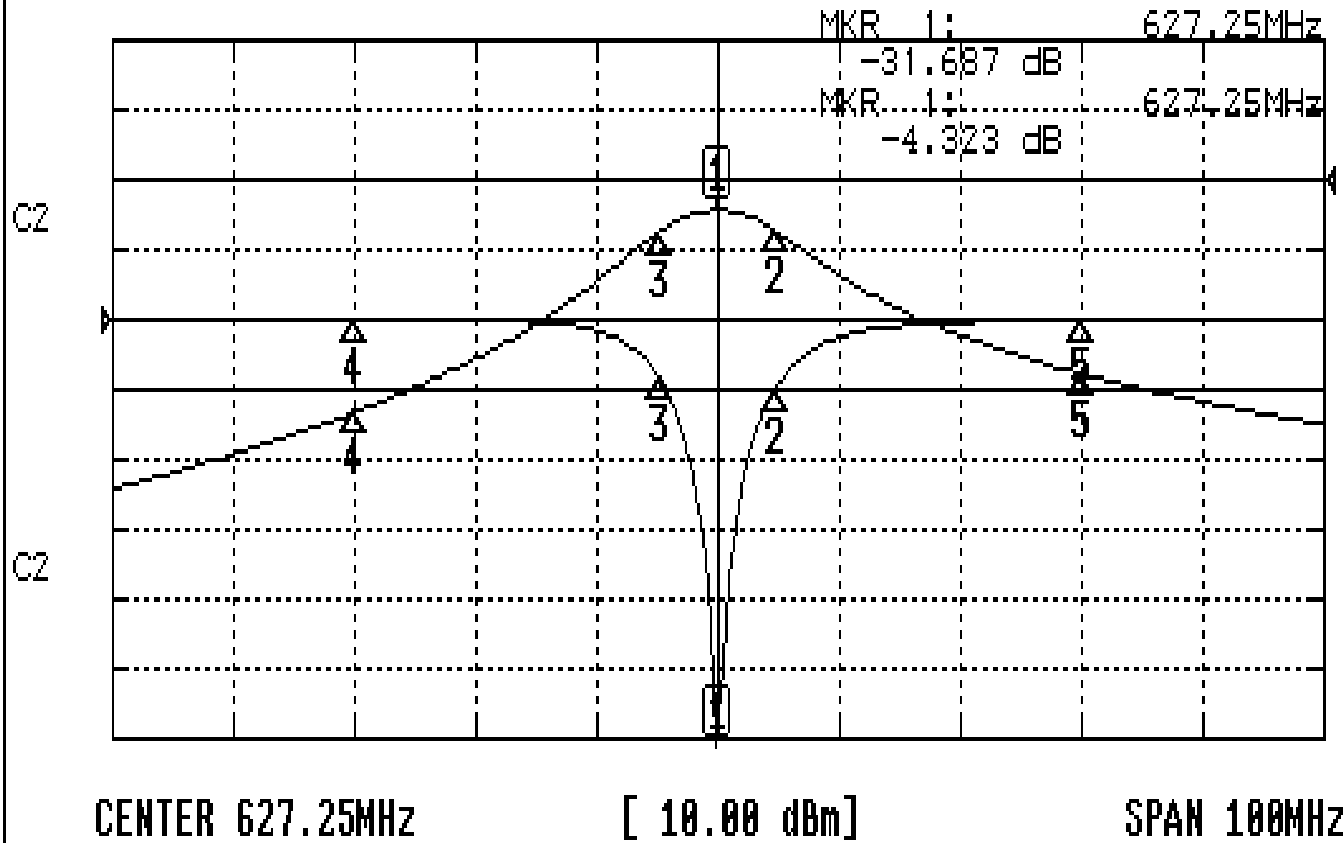
Form10-7H2F Vision D

RP (K.M.Y)

Performance-TDL6244F-627.25M

0612079DC

CH1 S11 LOG MAG REF 0.000 dB 5.000 dB/
CH2 S21 LOG MAG REF 0.000 dB 10.000 dB/



CH1 MARKER LIST

1:	627.250MHz	-31.747 dB
2:	632.166MHz	-4.735 dB
3:	622.500MHz	-4.187 dB
4:	597.250MHz	0.096 dB
5:	657.250MHz	-0.001 dB

CH2 MARKER LIST

1:	627.250MHz	-4.323 dB
2:	632.166MHz	-7.379 dB
3:	622.500MHz	-7.291 dB
4:	597.250MHz	-33.191 dB
5:	657.250MHz	-27.731 dB