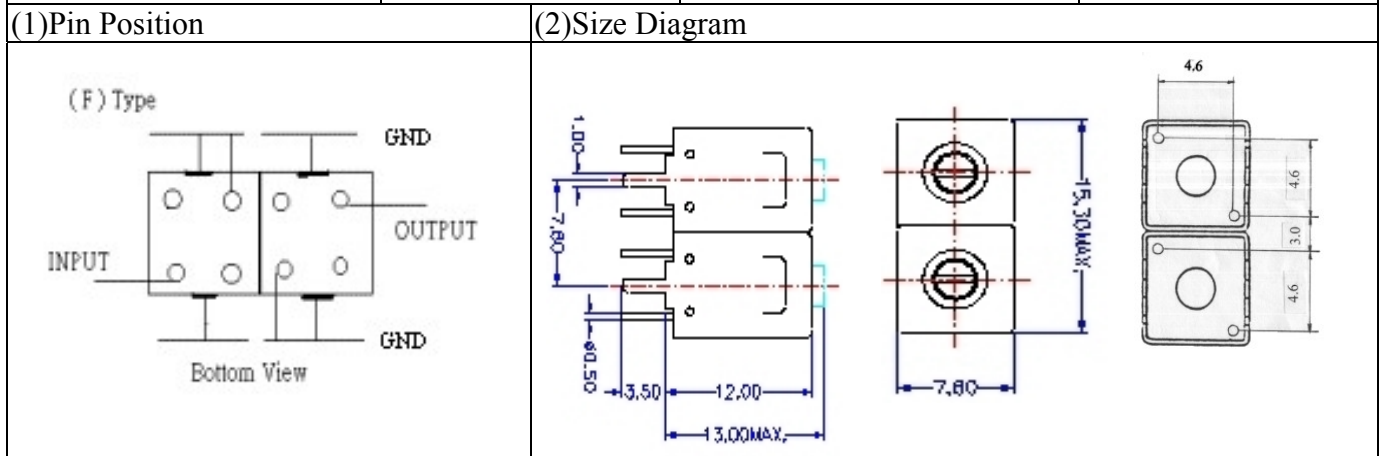


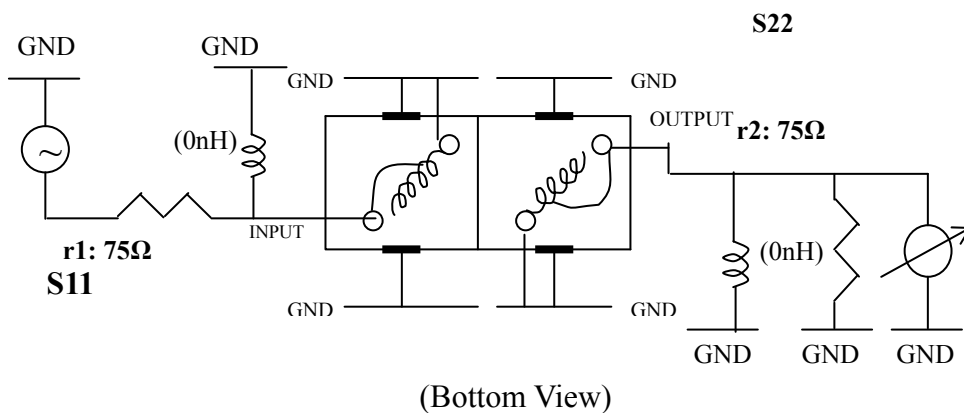
VHF UHF Helical Filter Specification Sheet

Customer Name		Temwell's Part No.	TDL6247F-645.25M
Approval No. /dated	0612082APR	Acceptable Specify Fo Range	641~660 MHz
Work Instruction No.	0612082DC	Date	Jan.03.2007



(3) Electric Character			
Item		Specify	Performance
Center Freq.(Fo) +/- 0.5 %		645.25 MHz	645.25 MHz
Tunable Range		645.25±5 MHz	645.25±5 MHz
Insertion Loss		Typ. 5.5 dB	4.36 dB
-3 dB Bandwidth		Typ. 6 MHz	8.9 MHz
Sensitivity (Attenuation)	Fo - 30 MHz	Typ. 27 dB	30 dB
	Fo + 30 MHz	Typ. 21 dB	24 dB
	Fo - ()MHz	Typ. dB	dB
	Fo +()MHz	Typ. dB	dB
Return Loss		Min. 12 dB	22.5 dB
Ripple		< 1 dB	dB
Impedance		In / Out : 75 Ω	In / Out : 75 Ω
(4) Torque for Tuning Screw		> 100gf · cm	
(5) Temperature Condition:			
Operating Temperature		0°C ~ +60°C	
Storage Temperature		-20°C ~ +70°C	
(6) Input Power		> 1 Watt	

(7) Measuring Circuit: ※ Easy to match Impedance 75Ω by parallel with about (0) nH.

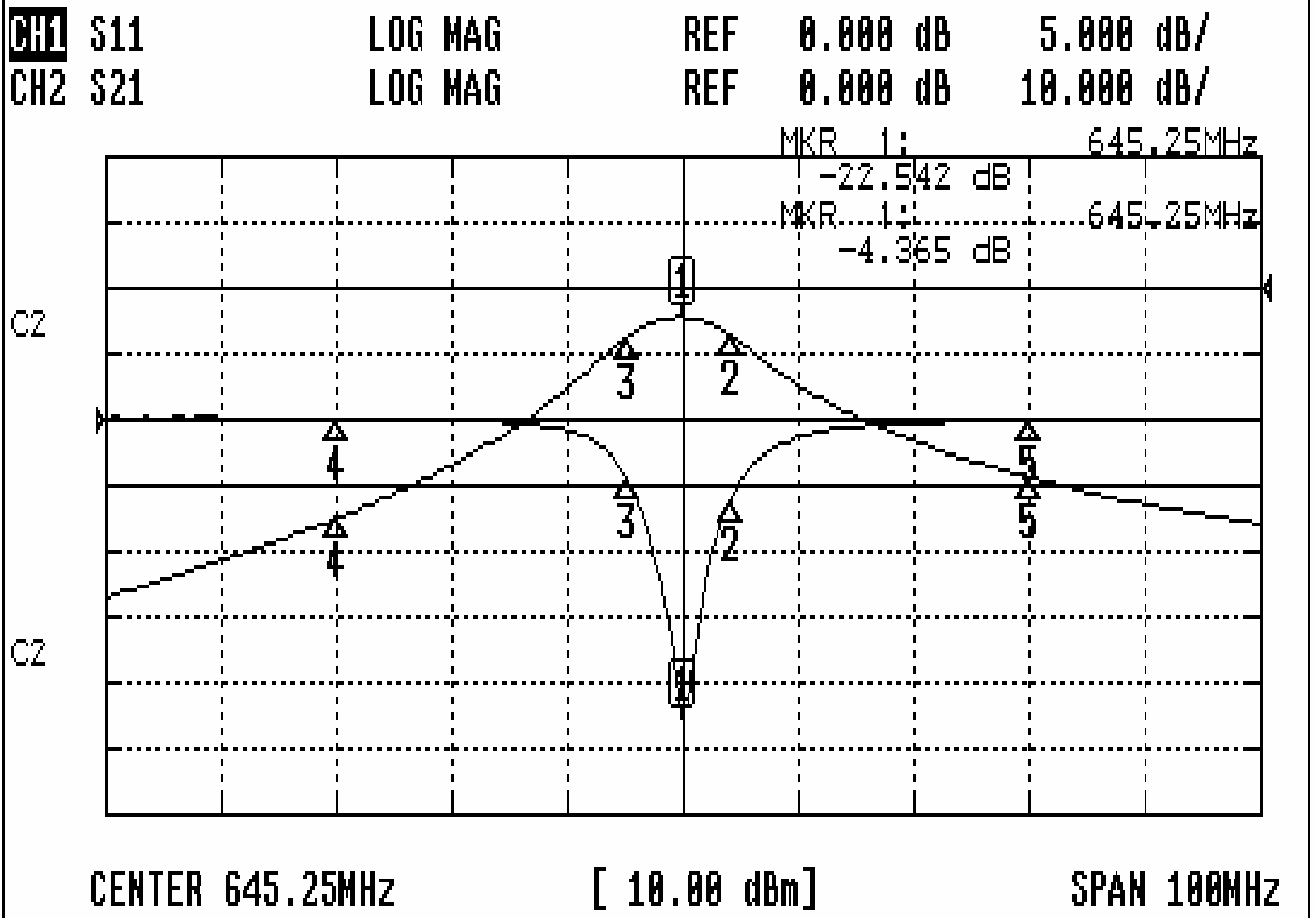


Approval	Supervisor	Designer	Aperture size
C.Y.Chang	C.S.Chang	J.F.Lin	7H2(4*4.65)F 7H046LB4 聚 3

TEMWELL CORPORATION

Performance-TDL6247F-645.25M

0612082DC



CH1 MARKER LIST

1:	645.250MHz	-22.542 dB
2:	649.416MHz	-6.058 dB
3:	640.500MHz	-4.554 dB
4:	615.250MHz	0.116 dB
5:	675.250MHz	-0.023 dB

CH2 MARKER LIST

1:	645.250MHz	-4.355 dB
2:	649.416MHz	-7.296 dB
3:	640.500MHz	-7.390 dB
4:	615.250MHz	-34.882 dB
5:	675.250MHz	-28.738 dB