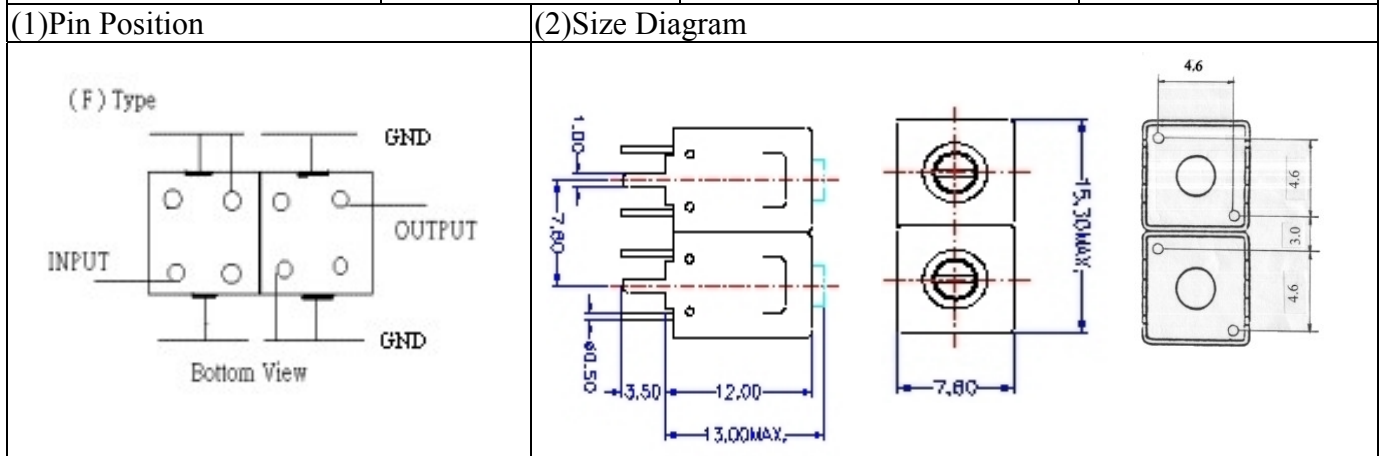


VHF UHF Helical Filter Specification Sheet

Customer Name		Temwell's Part No.	TDL6248F-651.25M
Approval No. /dated	0612083APR	Acceptable Specify Fo Range	641~660 MHz
Work Instruction No.	0612083DC	Date	Jan.03.2007



(3) Electric Character

Item	Specify	Performance	
Center Freq.(Fo) +/- 0.5 %	651.25 MHz	651.25 MHz	
Tunable Range	651.25±5 MHz	651.25±5 MHz	
Insertion Loss	Typ. 5.5 dB	4.60 dB	
-3 dB Bandwidth	Typ. 6 MHz	9.2 MHz	
Sensitivity (Attenuation)	Fo - 30 MHz	Typ. 27 dB	30 dB
	Fo + 30 MHz	Typ. 22 dB	25 dB
	Fo - ()MHz	Typ. dB	dB
	Fo +()MHz	Typ. dB	dB
Return Loss	Min. 12 dB	24.2 dB	
Ripple	< 1 dB	dB	
Impedance	In / Out : 75 Ω	In / Out : 75 Ω	
(4) Torque for Tuning Screw	> 100gf · cm		

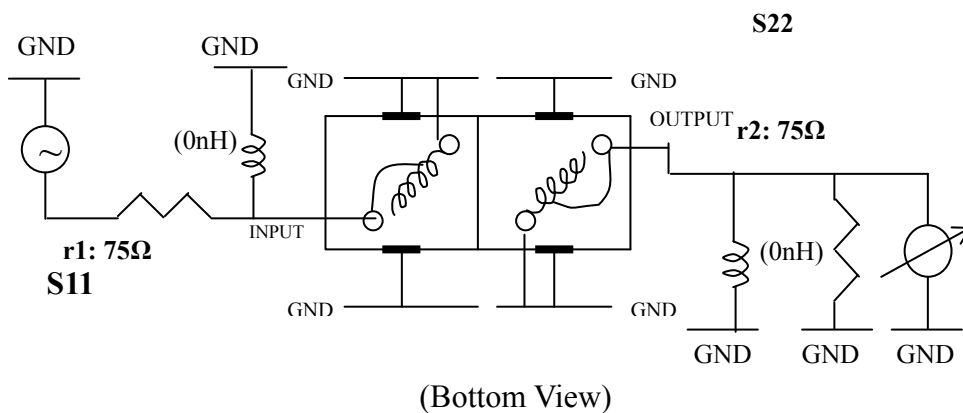
(5) Temperature Condition:

Operating Temperature	0°C ~ +60°C
Storage Temperature	-20°C ~ +70°C

(6) Input Power

> 1 Watt

(7) Measuring Circuit: ※Easy to match Impedance 75Ω by parallel with about (0nH.)

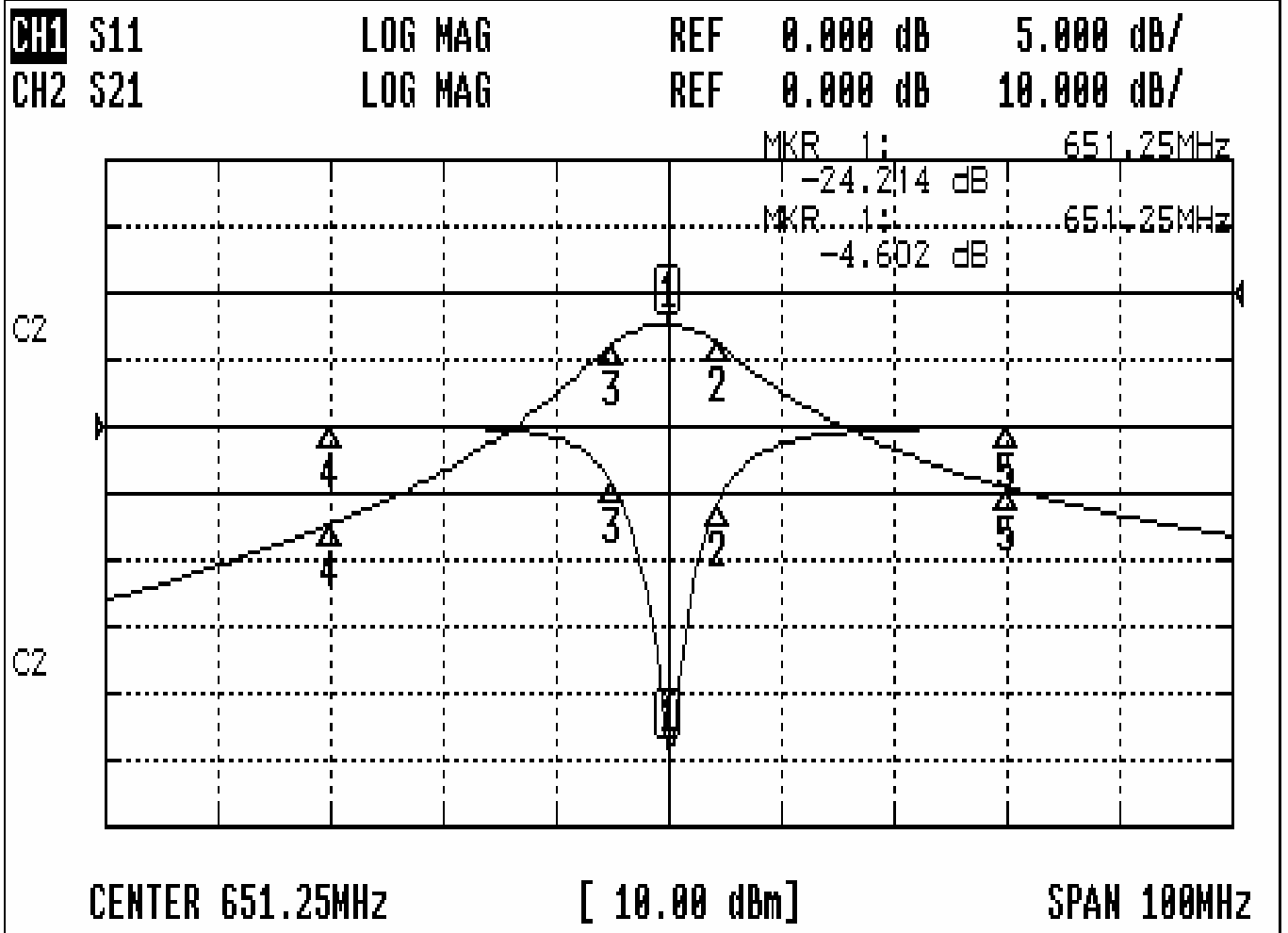


Approval	Supervisor	Designer	Aperture size
C.Y.Chang	C.S.Chang	J.F.Lin	7H2S(4*4.5)F 7H046LB4 聚 3

TEMWELL CORPORATION

Performance-TDL6248F-651.25M

0612083DC



CH1 MARKER LIST

1	651.250MHz	-24.214 dB
2	655.5083MHz	-5.891 dB
3	646.3333MHz	-4.356 dB
4	621.250MHz	-0.089 dB
5	681.250MHz	-0.019 dB

CH2 MARKER LIST

1	651.250MHz	-4.602 dB
2	655.5083MHz	-7.629 dB
3	646.3333MHz	-7.627 dB
4	621.250MHz	-34.618 dB
5	681.250MHz	-29.132 dB