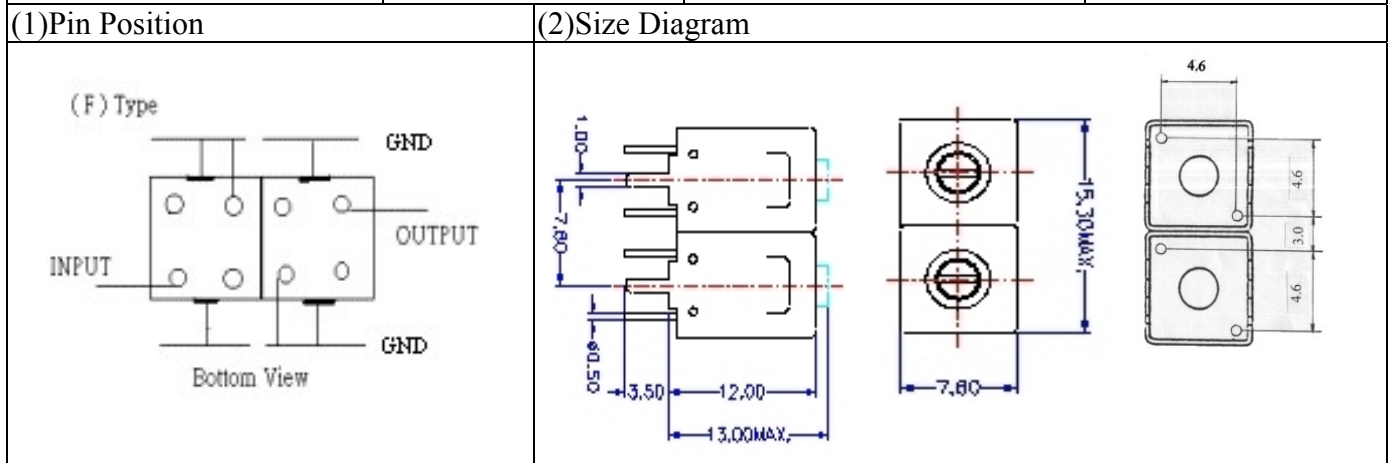


VHF UHF Helical Filter Specification Sheet

Customer Name		Temwell's Part No.	TDL6250F-663.25M
Approval No. /dated	0612085APR	Acceptable Specify Fo Range	661~700 MHz
Work Instruction No.	0612085DC	Date	Jan.04.2007



(3) Electric Character

Item	Specify	Performance	
Center Freq.(Fo) +/- 0.5 %	663.25 MHz	663.25 MHz	
Tunable Range	663.25±5 MHz	663.25±5 MHz	
Insertion Loss	Typ. 5.5 dB	4.78 dB	
-3 dB Bandwidth	Typ. 6 MHz	9.1 MHz	
Sensitivity (Attenuation)	Fo - 30 MHz	Typ. 27 dB	30 dB
	Fo + 30 MHz	Typ. 21 dB	24 dB
	Fo - ()MHz	Typ. dB	dB
	Fo +()MHz	Typ. dB	dB
Return Loss	Min. 12 dB	17.6 dB	
Ripple	< 1 dB	dB	
Impedance	In / Out : 75 Ω	In / Out : 75 Ω	

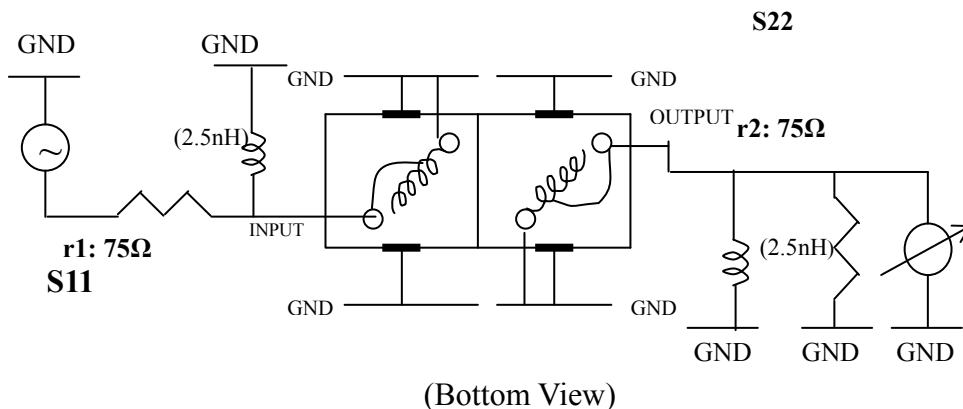
(4) Torque for Tuning Screw > 100gf · cm

(5) Temperature Condition:

Operating Temperature	0°C ~ +60°C
Storage Temperature	-20°C ~ +70°C

(6) Input Power > 1Watt

(7) Measuring Circuit: ※Easy to match Impedance 75Ω by parallel with about (2.5 nH.)/(2.5nH)



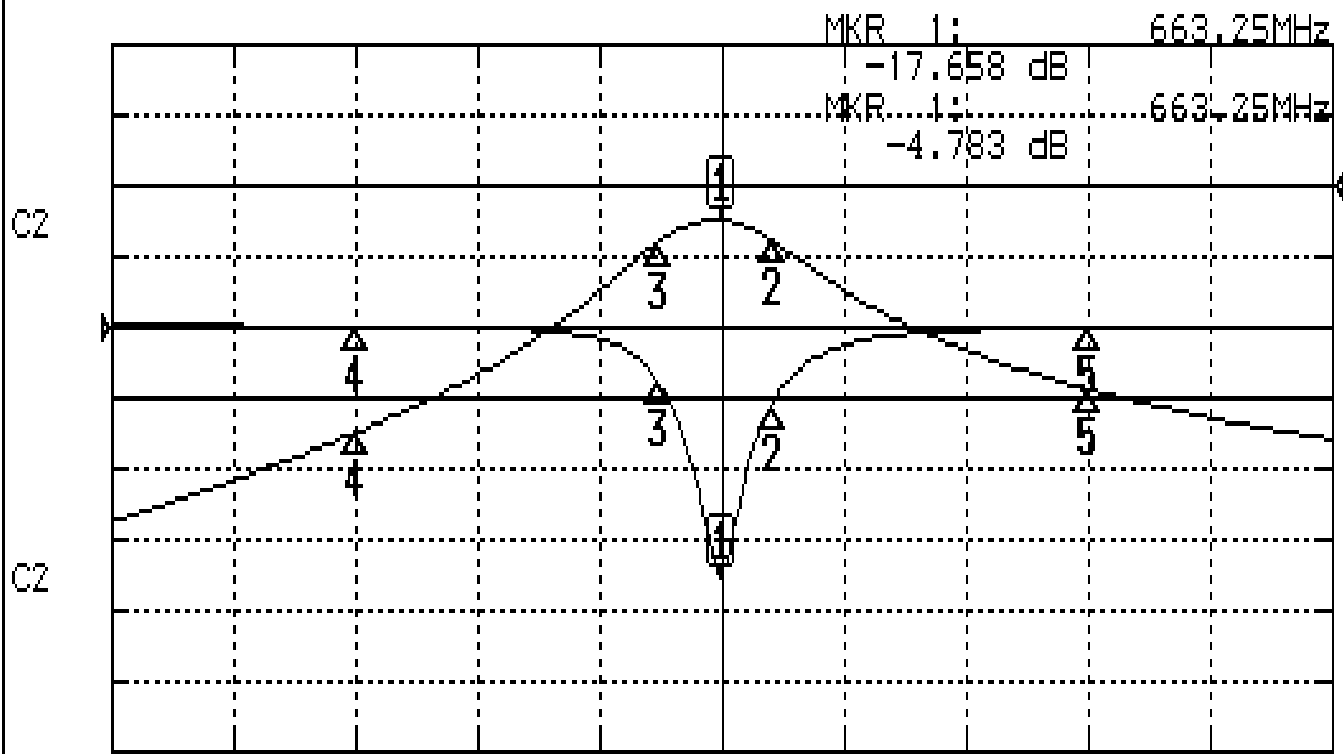
Approval	Supervisor	Designer	Aperture size
C.Y.Chang	C.S.Chang	J.F.Lin	7H2S(4*4.65)F 7H046LB4 聚 3

TEMWELL CORPORATION

Performance-TDL6250F-663.25M

0612085DC

CH1 S11 LOG MAG REF 0.000 dB 5.000 dB/
CH2 S21 LOG MAG REF 0.000 dB 10.000 dB/



CENTER 663.25MHz

[10.00 dBm]

SPAN 100MHz

CH1 MARKER LIST

1	663.250MHz	-17.655 dB
2	667.250MHz	-15.629 dB
3	668.166MHz	-13.984 dB
4	663.250MHz	0.124 dB
5	693.250MHz	0.004 dB

CH2 MARKER LIST

1	663.250MHz	-4.783 dB
2	667.250MHz	-7.709 dB
3	668.166MHz	-7.778 dB
4	663.250MHz	-34.866 dB
5	693.250MHz	-28.712 dB