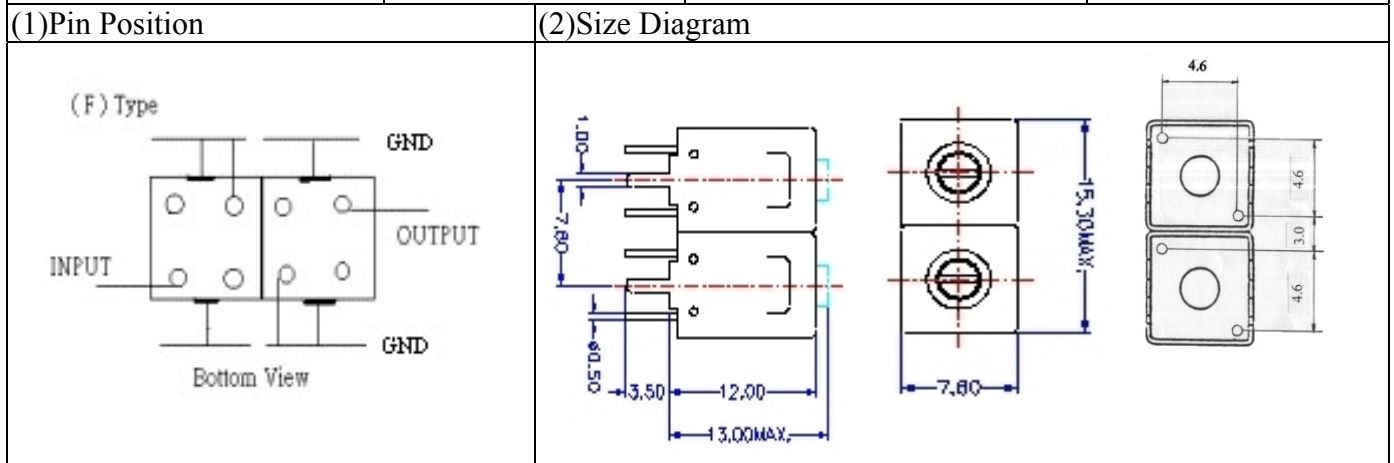


# VHF UHF Helical Filter Specification Sheet

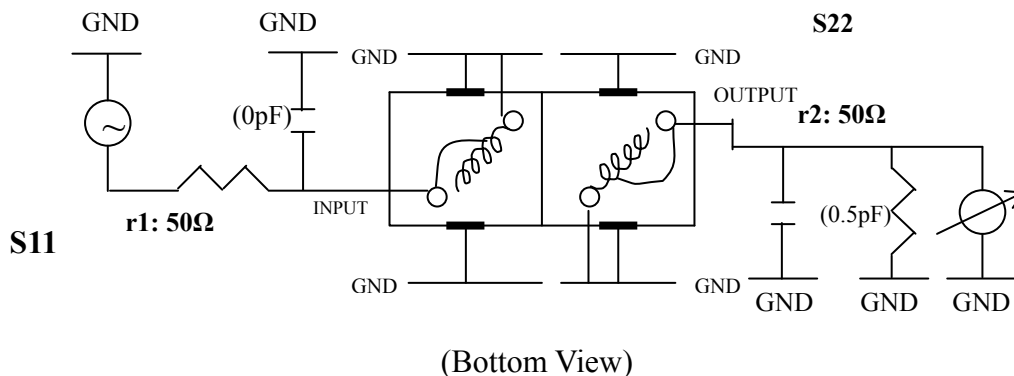
Customer Name		Temwell's Part No.	TDL6251F-669.25M
Approval No. /dated	0612086APR	Acceptable Specify Fo Range	661~700MHZ
Work Instruction No.	0612086DC	Date	Jan.04.2007



(3) Electric Character

Item	Specify	Performance
Center Freq.(Fo ) +/- 0.5 %	669.25 MHz	669.25 MHz
Tunable Range	669.25±5 MHz	669.25±5 MHz
Insertion Loss	Typ. 5.5 dB	4.67 dB
-3 dB Bandwidth	Typ. 5 MHz	8.4 MHz
Sensitivity (Attenuation)	Fo - 30 MHz	Typ. 30 dB
	Fo + 30 MHz	Typ. 24 dB
	Fo - ( )MHz	Typ. dB
	Fo +( )MHz	Typ. dB
Return Loss	Min. 12 dB	19.7 dB
Ripple	< 1 dB	dB
Impedance	In / Out : 75 Ω	In / Out : 75 Ω
(4) Torque for Tuning Screw	> 100gf · cm	
(5) Temperature Condition:		
Operating Temperature	0°C ~ +60°C	
Storage Temperature	-20°C ~ +70°C	
(6) Input Power	> 1Watt	

(7) Measuring Circuit: ※Easy to match Impedance 75Ω by parallel with about ( 0pF)/(0.5pF).



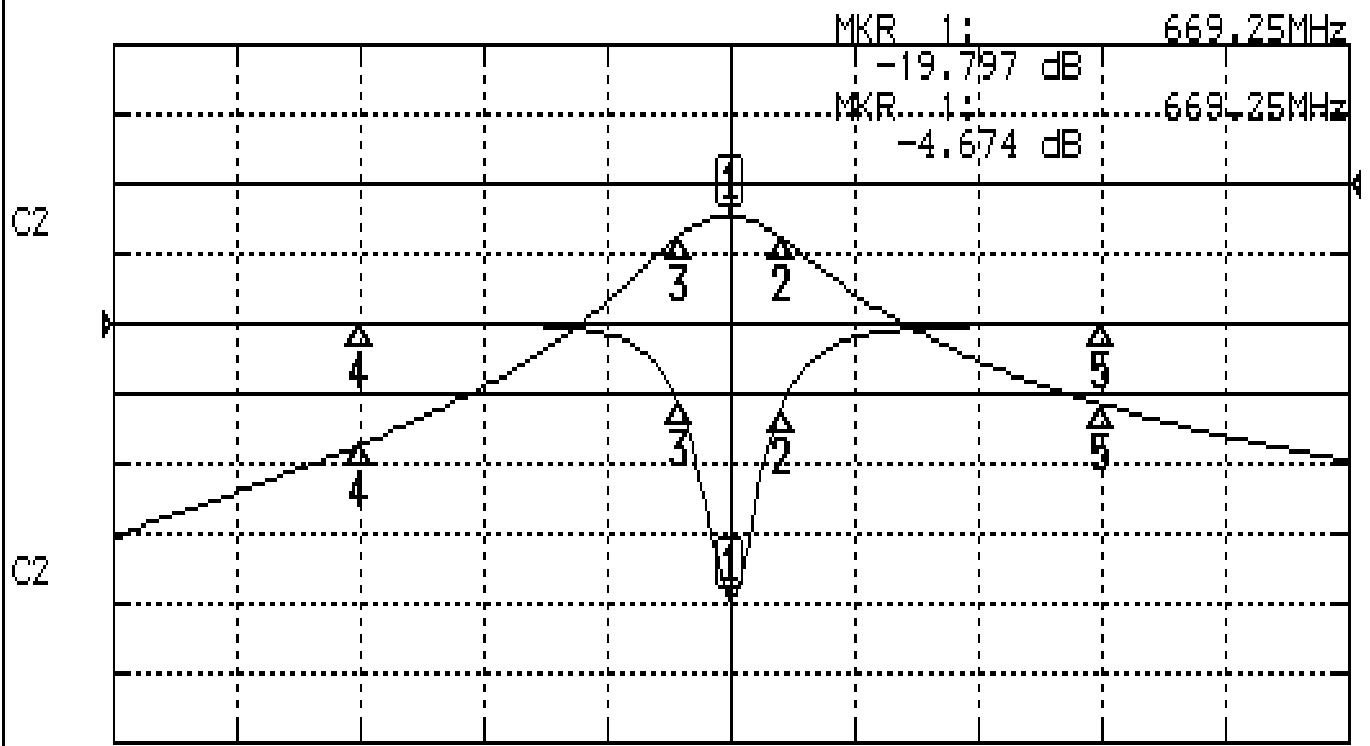
Approval	Supervisor	Designer	Aperture size
C.Y.Chang	C.S.Chang	J.F.Lin	7H2S(4*4.65)F 7H046LB4 聚 3

TEMWELL CORPORATION

# Performance-TDL6251F-669.25M

## 0612086DC

**CH1** S11                      LOG MAG                      REF    0.000 dB            5.000 dB/  
**CH2** S21                      LOG MAG                      REF    0.000 dB            10.000 dB/



**CENTER 669.25MHz**

**[ 10.00 dBm ]**

**SPAN 100MHz**

### CH1 MARKER LIST

1	669.250MHz	-19.797	dB
2	673.416MHz	-16.044	dB
3	665.000MHz	-16.540	dB
4	669.250MHz	0.107	dB
5	669.250MHz	0.045	dB

### CH2 MARKER LIST

1	669.250MHz	-4.674	dB
2	673.416MHz	-7.736	dB
3	665.000MHz	-7.547	dB
4	669.250MHz	-37.266	dB
5	669.250MHz	-31.512	dB