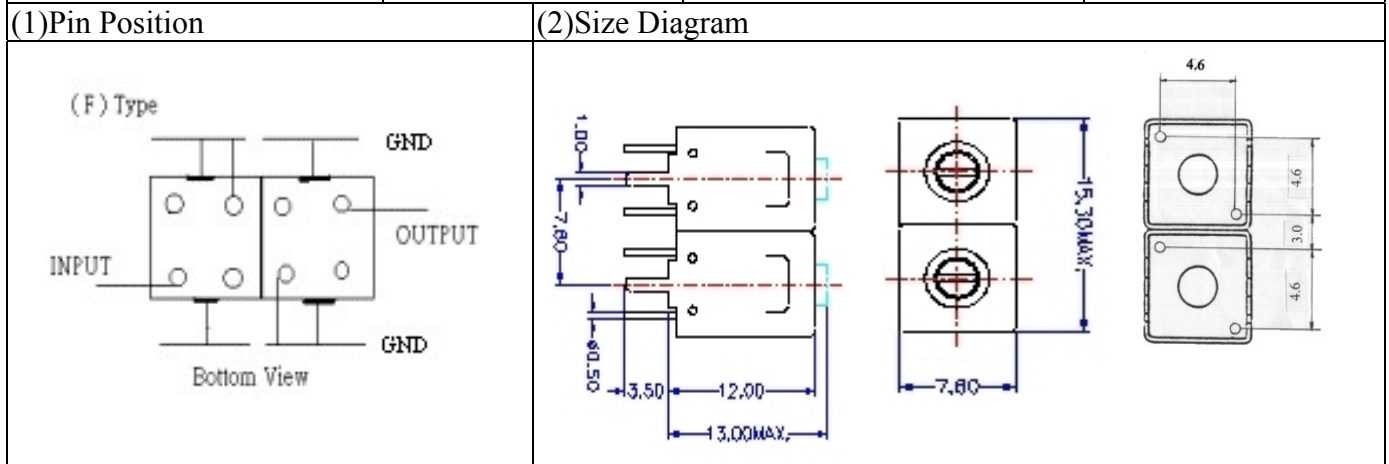


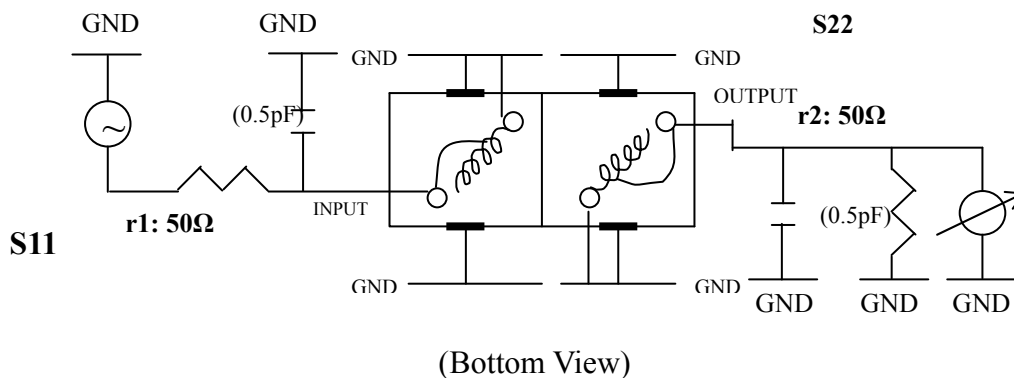
# VHF UHF Helical Filter Specification Sheet

Customer Name		Temwell's Part No.	TDL6252F-675.25M
Approval No. /dated	0612087APR	Acceptable Specify Fo Range	661~700MHZ
Work Instruction No.	0612087DC	Date	Jan.04.2007



(3) Electric Character					
Item		Specify		Performance	
Center Freq.(Fo) +/- 0.5 %		675.25 MHz		675.25 MHz	
Tunable Range		675.25±5 MHz		675.25±5 MHz	
Insertion Loss		Typ. 6.0 dB		4.97 dB	
-3 dB Bandwidth		Typ. 5 MHz		8.8 MHz	
Sensitivity (Attenuation)	Fo - 30 MHz	Typ. 24 dB		27 dB	
	Fo + 30 MHz	Typ. 28 dB		31 dB	
	Fo - ( )MHz	Typ. dB		dB	
	Fo + ( )MHz	Typ. dB		dB	
Return Loss		Min. 12 dB		18.6 dB	
Ripple		< 1 dB		dB	
Impedance		In / Out : 75 Ω		In / Out : 75 Ω	
(4) Torque for Tuning Screw		> 100gf · cm			
(5) Temperature Condition:					
Operating Temperature		0°C ~ +60°C			
Storage Temperature		-20°C ~ +70°C			
(6) Input Power		> 1Watt			

(7) Measuring Circuit: ※Easy to match Impedance 75Ω by parallel with about ( 0.5pF)/(0.5pF).

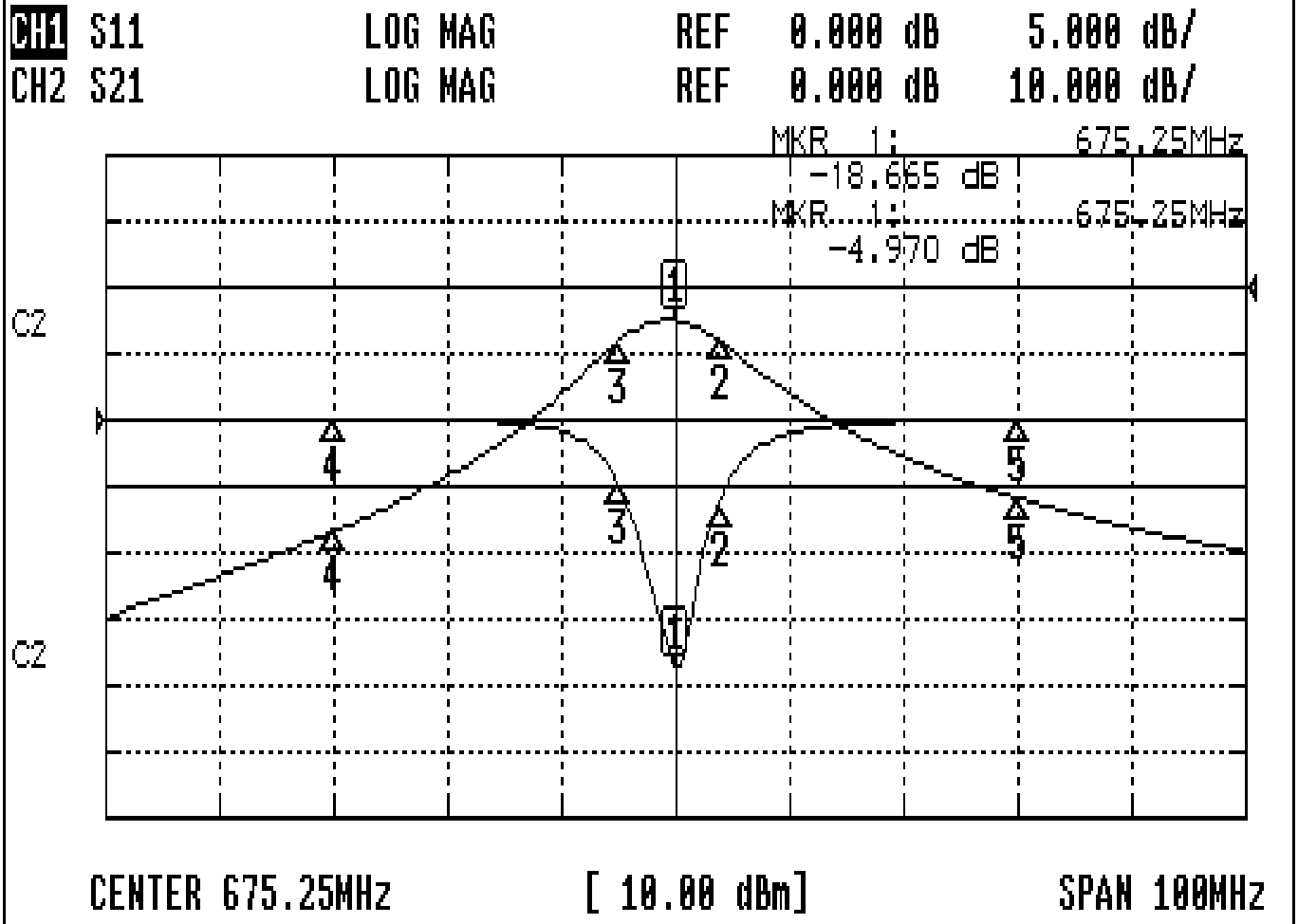


Approval	Supervisor	Designer	Aperture size
C.Y.Chang	C.S.Chang	J.F.Lin	7H2S(4*4.65)F 7H046LB4 聚 3

TEMWELL CORPORATION

# Performance-TDL6252F-675.25M

## 0612087DC



### CH1 MARKER LIST

1:	675.250MHz	-18.661 dB
2:	679.083MHz	-6.164 dB
3:	670.250MHz	-4.653 dB
4:	645.250MHz	0.107 dB
5:	705.250MHz	0.045 dB

### CH2 MARKER LIST

1:	675.250MHz	-4.970 dB
2:	679.083MHz	-7.982 dB
3:	670.250MHz	-8.014 dB
4:	645.250MHz	-36.746 dB
5:	705.250MHz	-31.758 dB