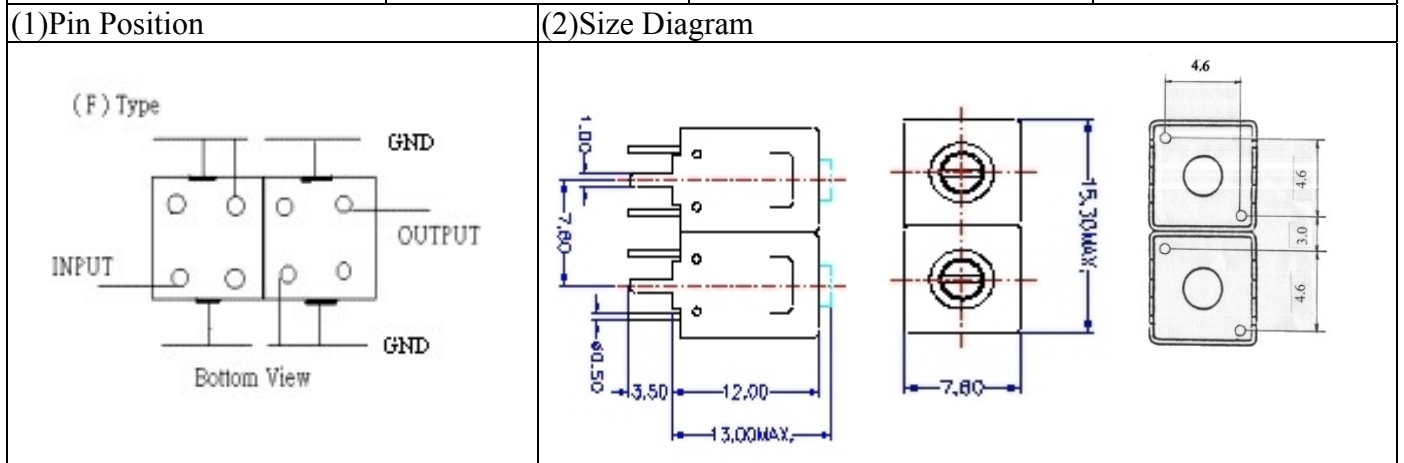


VHF UHF Helical Filter Specification Sheet

Customer Name		Temwell's Part No.	TDL6255F-693.25M
Approval No. /dated	0612090APR	Acceptable Specify Fo Range	661~700 MHz
Work Instruction No.	0612090DC	Date	Jan.05.2007



(3) Electric Character

Item	Specify	Performance
Center Freq.(Fo) +/- 0.5 %	693.25 MHz	693.25 MHz
Tunable Range	693.25±5 MHz	693.25±5 MHz
Insertion Loss	Typ. 5.5 dB	4.56 dB
-3 dB Bandwidth	Typ. 6 MHz	9.4 MHz
Sensitivity (Attenuation)	Fo - 30 MHz	Typ. 28 dB
	Fo + 30 MHz	Typ. 22 dB
	Fo - ()MHz	Typ. dB
	Fo +()MHz	Typ. dB
Return Loss	Min. 12 dB	23.2 dB
Ripple	< 1 dB	dB
Impedance	In / Out : 75 Ω	In / Out : 75 Ω

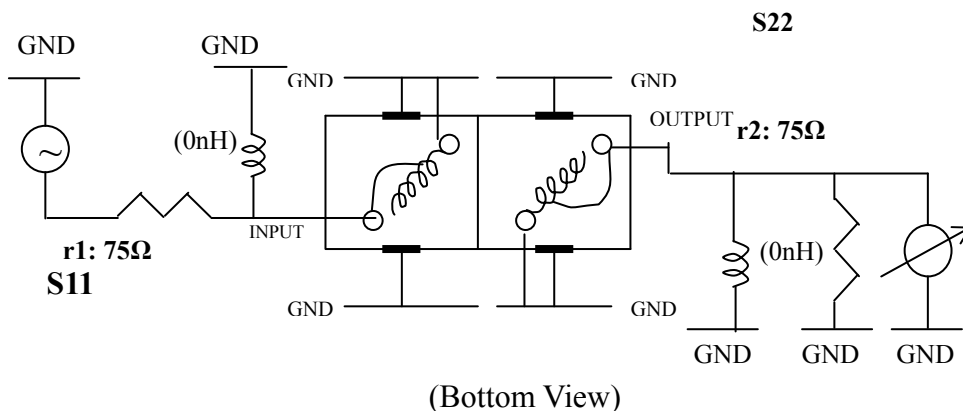
(4) Torque for Tuning Screw > 100gf · cm

(5) Temperature Condition:

Operating Temperature	0°C ~ +60°C
Storage Temperature	-20°C ~ +70°C

(6) Input Power > 1Watt

(7) Measuring Circuit: ※Easy to match Impedance /75Ω by parallel with about (0) nH.



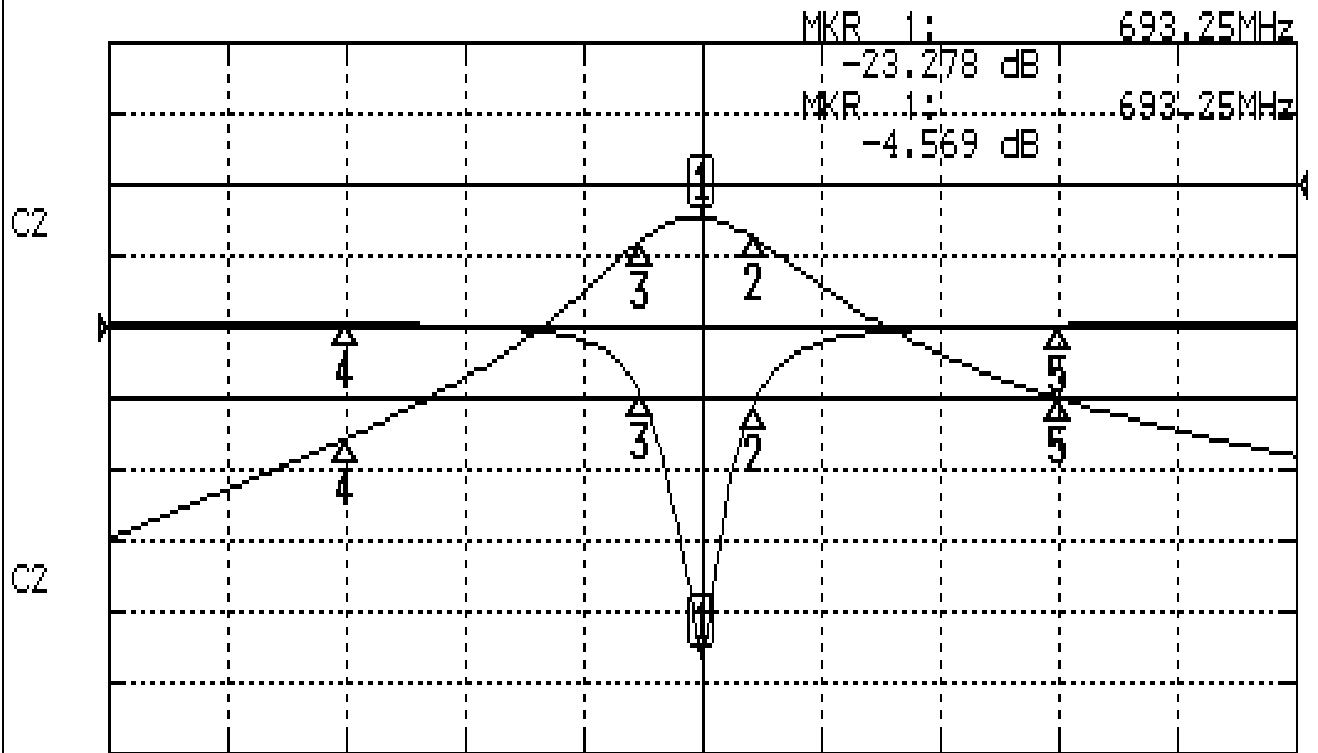
Approval	Supervisor	Designer	Aperture size
C.Y.Chang	C.S.Chang	J.F.Lin	7H2(4*4.5)F 7H046LB4 聚 3

TEMWELL CORPORATION

Performance-TDL6255F-693.25M

0612090DC

CH1 S11 LOG MAG REF 0.000 dB 5.000 dB/
CH2 S21 LOG MAG REF 0.000 dB 10.000 dB/



CENTER 693.25MHz

[10.00 dBm]

SPAN 100MHz

CH1 MARKER LIST

1:	693.250MHz	-23.269	dB
2:	697.583MHz	-15.605	dB
3:	700.166MHz	-4.888	dB
4:	703.250MHz	0.205	dB
5:	723.250MHz	0.138	dB

CH2 MARKER LIST

1:	693.250MHz	-4.569	dB
2:	697.583MHz	-7.576	dB
3:	700.166MHz	-7.606	dB
4:	703.250MHz	-5.997	dB
5:	723.250MHz	-29.979	dB