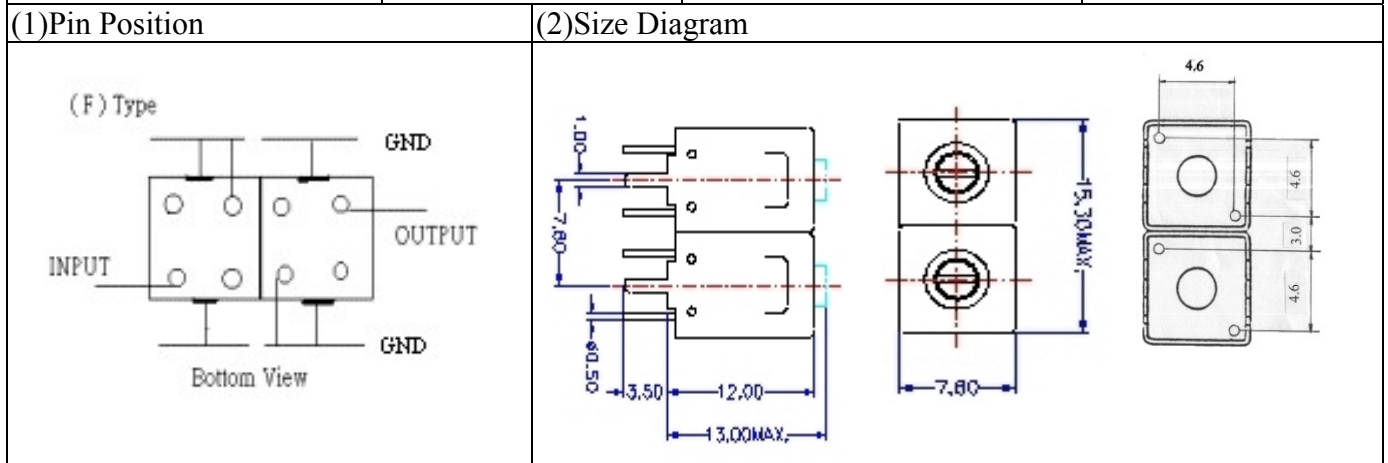


VHF UHF Helical Filter Specification Sheet

Customer Name		Temwell's Part No.	TDL6256F-699.25M
Approval No. /dated	0612091APR	Acceptable Specify Fo Range	661~700 MHz
Work Instruction No.	0612091DC	Date	Jan.05.2007



(3) Electric Character

Item	Specify	Performance	
Center Freq.(Fo) +/- 0.5 %	699.25 MHz	699.25 MHz	
Tunable Range	699.25±5 MHz	699.25±5 MHz	
Insertion Loss	Typ. 5.0 dB	4.10 dB	
-3 dB Bandwidth	Typ. 6 MHz	9.4 MHz	
Sensitivity (Attenuation)	Fo - 20 MHz	Typ. 19 dB	22 dB
	Fo + 20 MHz	Typ. 16 dB	19 dB
	Fo - ()MHz	Typ. dB	dB
	Fo +()MHz	Typ. dB	dB
Return Loss	Min. 12 dB	20.1 dB	
Ripple	< 1 dB	dB	
Impedance	In / Out : 75 Ω	In / Out : 75 Ω	

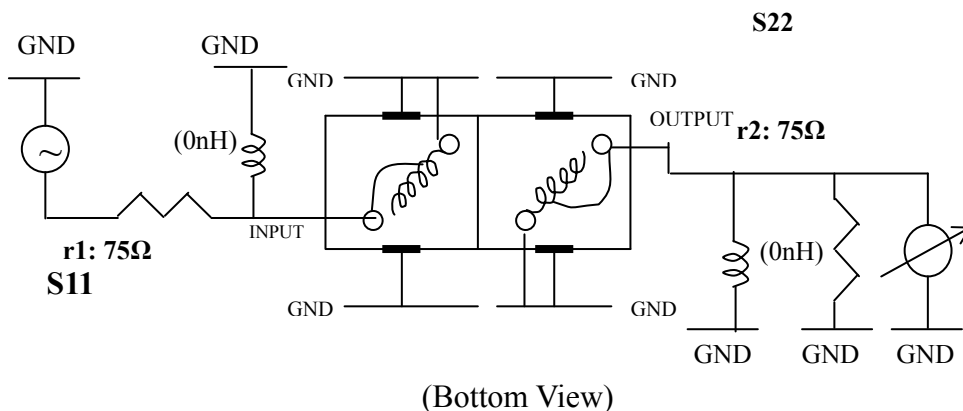
(4) Torque for Tuning Screw > 100gf · cm

(5) Temperature Condition:

Operating Temperature	0°C ~ +60°C
Storage Temperature	-20°C ~ +70°C

(6) Input Power > 1Watt

(7) Measuring Circuit: ※Easy to match Impedance /75Ω by parallel with about (0) nH.

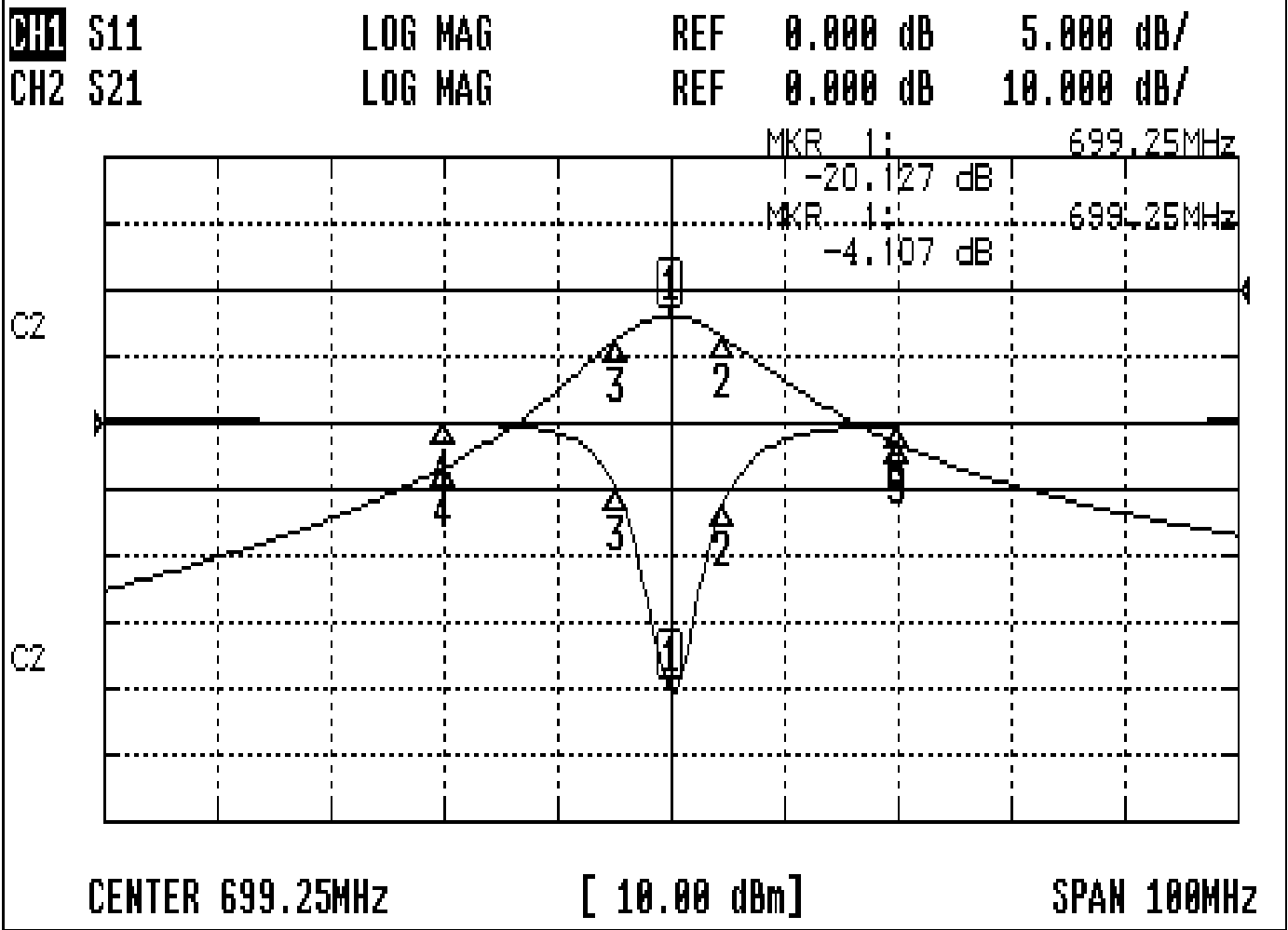


Approval	Supervisor	Designer	Aperture size
C.Y.Chang	C.S.Chang	W.W.Wang	7H2(4*4.5)F 7H046LB4 聚 3

TEMWELL CORPORATION

Performance-TDL6256F-699.25M

0612091DC



CH1 MARKER LIST

1:	699.250MHz	-20.127	dB
2:	703.916MHz	-6.217	dB
3:	694.500MHz	-4.983	dB
4:	679.250MHz	0.028	dB
5:	719.250MHz	-0.150	dB

CH2 MARKER LIST

1:	699.250MHz	-4.107	dB
2:	703.916MHz	-7.059	dB
3:	694.500MHz	-7.190	dB
4:	679.250MHz	-26.649	dB
5:	719.250MHz	-23.138	dB