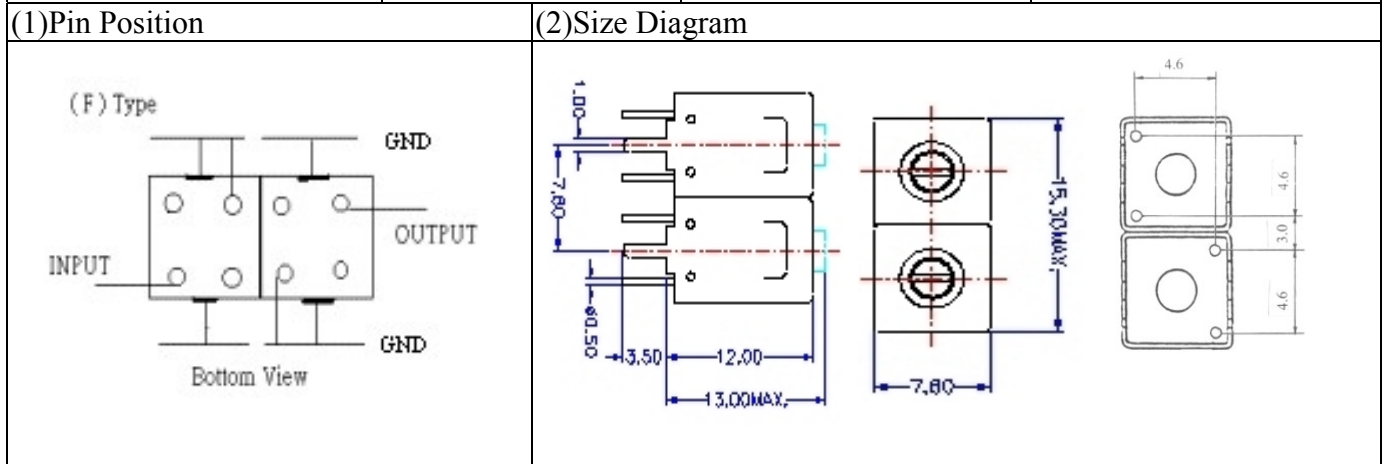


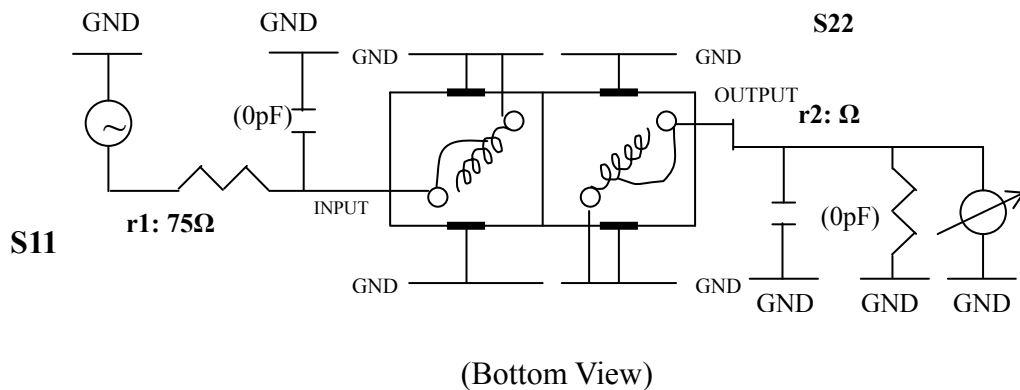
VHF UHF Helical Filter Specification Sheet

Customer Name		Temwell's Part No.	TDL6257F-705.25M
Approval No. /dated	0612092APR	Acceptable Specify Fo Range	701~750 MHz
Work Instruction No.	0612092DC	Date	Dec.29.2006



(3) Electric Character			
Item	Specify		Performance
Center Freq.(Fo) +/- 0.5 %	705.25 MHz		705.25 MHz
Tunable Range	705.25±5 MHz		705.25±5 MHz
Insertion Loss	Typ. 6.0 dB		5.00 dB
-3 dB Bandwidth	Typ. 5 MHz		8.7 MHz
Sensitivity (Attenuation)	Fo - 20 MHz	Typ. 21 dB	24 dB
	Fo + 20 MHz	Typ. 17 dB	20 dB
	Fo - ()MHz	Typ. dB	dB
	Fo +()MHz	Typ. dB	dB
Return Loss	Min. 12 dB		22.4 dB
Ripple	< 1 dB		dB
Impedance	In / Out : 75 Ω		In / Out : 75 Ω
(4) Torque for Tuning Screw			
		> 100gf · cm	
(5) Temperature Condition:			
Operating Temperature	0°C ~ +60°C		
Storage Temperature	-20°C ~ +70°C		
(6) Input Power			
> 1 Watt			

(7) Measuring Circuit: ※Easy to match Impedance 75Ω by parallel with about (0) pF.

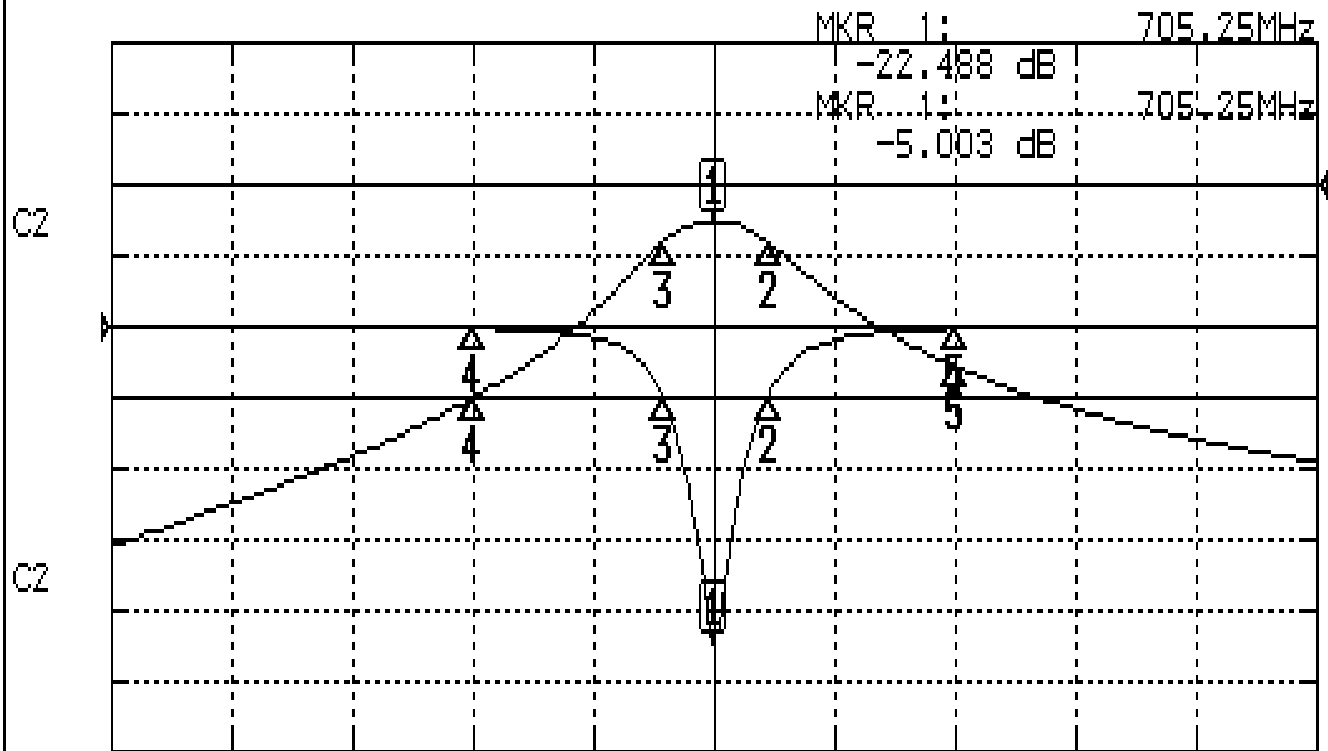


Approval	Supervisor	Designer	Aperture size
C.Y.Chang	C.S.Chang	P.H.Chiang	7H2(4*4.5)F 7H046LB4 聚 3
TEMWELL CORPORATION			

Performance-TDL6257F-705.25M

0612092DC

CH1 S11 LOG MAG REF 0.000 dB 5.000 dB/
CH2 S21 LOG MAG REF 0.000 dB 10.000 dB/



CENTER 785.25MHz

[10.00 dBm]

SPAN 100MHz

CH1 MARKER LIST

1:	705.250MHz	-22.488	dB
2:	709.750MHz	-4.987	dB
3:	701.083MHz	-4.971	dB
4:	685.250MHz	-0.091	dB
5:	725.250MHz	-0.129	dB

CH2 MARKER LIST

1:	705.250MHz	-5.003	dB
2:	709.750MHz	-8.090	dB
3:	701.083MHz	-8.021	dB
4:	685.250MHz	-23.960	dB
5:	725.250MHz	-25.579	dB