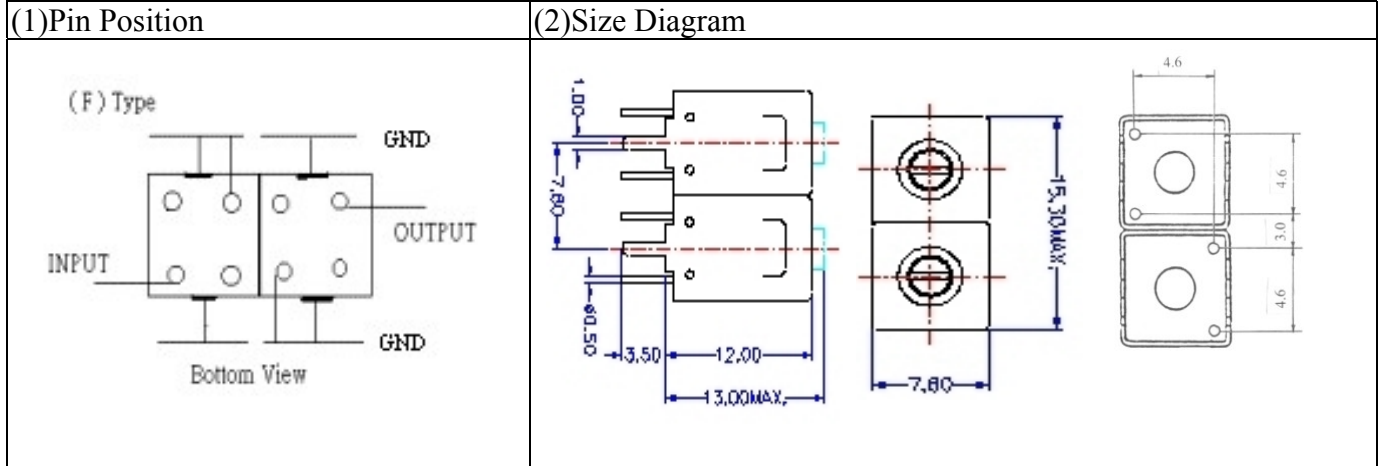


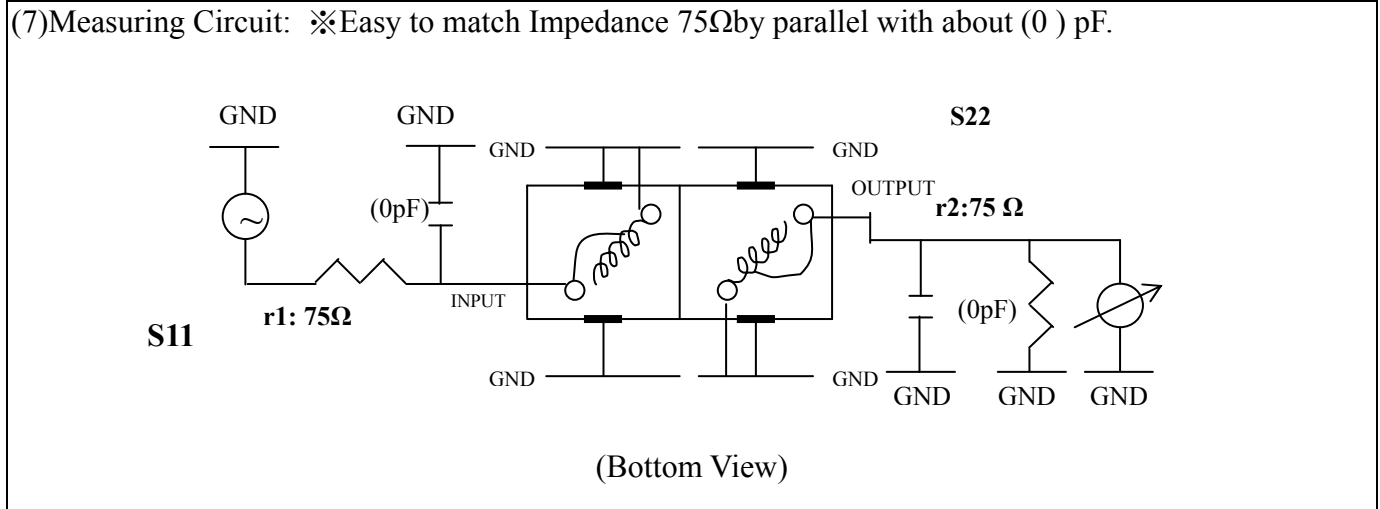
VHF UHF Helical Filter Specification Sheet

Customer Name		Temwell's Part No.	TDL6259F-717.25M
Approval No. /dated	0612094APR	Acceptable Specify Fo Range	701~750 MHz
Work Instruction No.	0612094DC	Date	Dec.29.2006



(3) Electric Character			
Item		Specify	Performance
Center Freq.(Fo) +/- 0.5 %		717.25 MHz	717.25 MHz
Tunable Range		717.25±5 MHz	717.25±5 MHz
Insertion Loss		Typ. 4.5 dB	3.85 dB
-3 dB Bandwidth		Typ. 6 MHz	9.7 MHz
Sensitivity (Attenuation)	Fo - 20 MHz	Typ. 21 dB	24 dB
	Fo + 20 MHz	Typ. 16 dB	19 dB
	Fo - ()MHz	Typ. dB	dB
	Fo +()MHz	Typ. dB	dB
Return Loss		Min. 12 dB	20.3 dB
Ripple		< 1 dB	dB
Impedance		In / Out : 75 Ω	In / Out : 75 Ω
(4) Torque for Tuning Screw		> 100gf · cm	

(5) Temperature Condition:	
Operating Temperature	0°C ~ +60°C
Storage Temperature	-20°C ~ +70°C
(6) Input Power	> 1 Watt



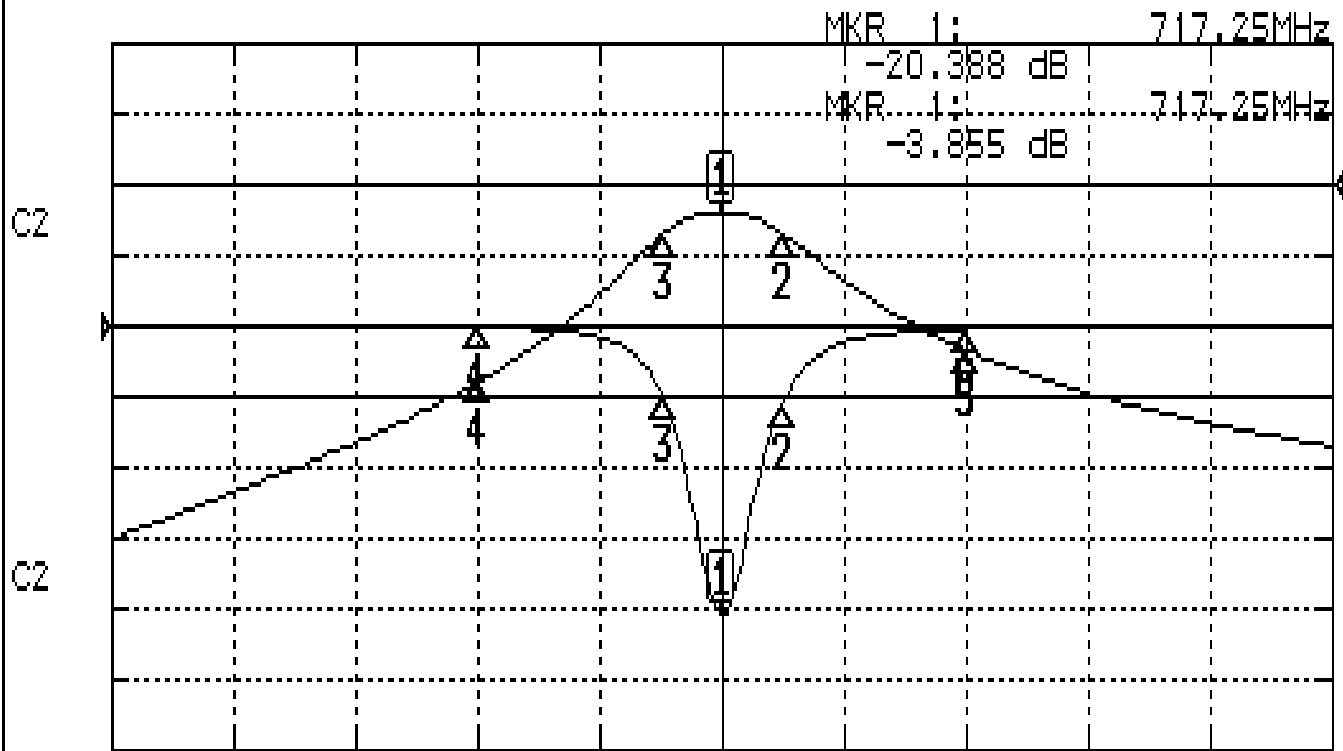
Approval	Supervisor	Designer	Aperture size
C.Y.Chang	C.S.Chang	P.H.Chiang	7H2(4*4.5)F 7H046LB4 聚 3

TEMWELL CORPORATION

Performance-TDL6259F-717.25M

0612094DC

CH1 S11 LOG MAG REF 0.000 dB 5.000 dB/
CH2 S21 LOG MAG REF 0.000 dB 10.000 dB/



CENTER 717.25MHz

[10.00 dBm]

SPAN 100MHz

CH1 MARKER LIST

1:	717.250MHz	-20.366 dB
2:	722.250MHz	-5.452 dB
3:	712.500MHz	-4.988 dB
4:	697.250MHz	-0.033 dB
5:	737.250MHz	-0.163 dB

CH2 MARKER LIST

1:	717.250MHz	-3.855 dB
2:	722.250MHz	-6.003 dB
3:	712.500MHz	-16.033 dB
4:	697.250MHz	-27.040 dB
5:	737.250MHz	-23.338 dB