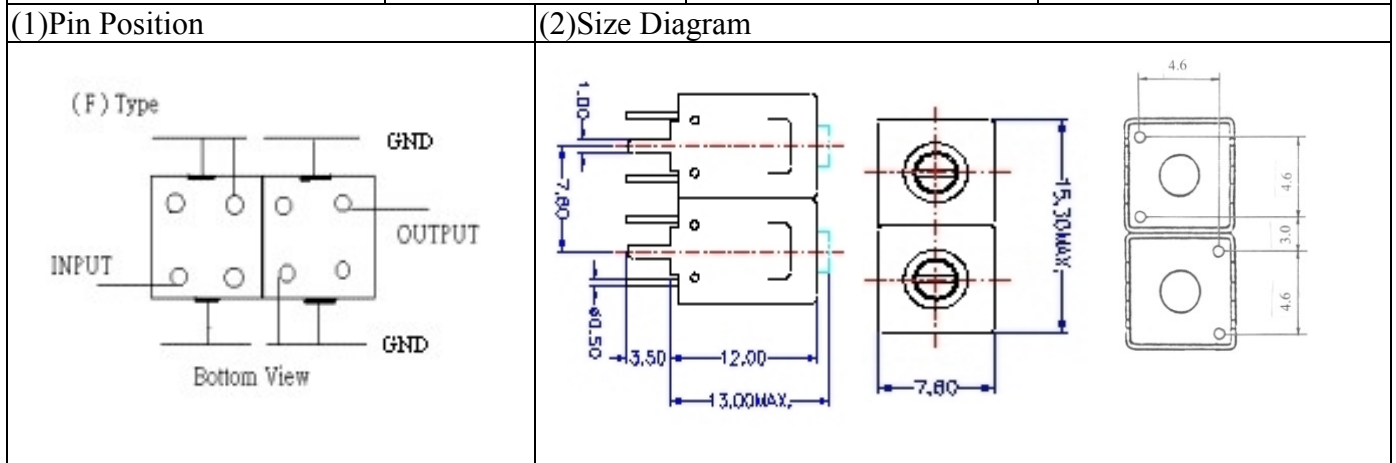


VHF UHF Helical Filter Specification Sheet

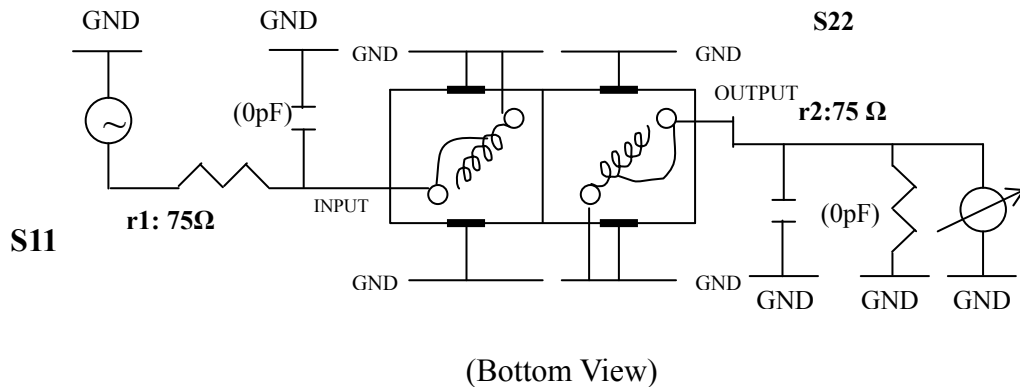
Customer Name		Temwell's Part No.	TDL6261F-729.25M
Approval No. /dated	0612096APR	Acceptable Specify Fo Range	701~750 MHz
Work Instruction No.	0612096DC	Date	Dec.29.2006



(3) Electric Character

Item	Specify	Performance
Center Freq.(Fo) +/- 0.5 %	729.25 MHz	729.25 MHz
Tunable Range	729.25±5 MHz	729.25±5 MHz
Insertion Loss	Typ. 5.0 dB	4.20 dB
-3 dB Bandwidth	Typ. 6 MHz	9.6 MHz
Sensitivity (Attenuation)	Fo - 20 MHz	Typ. 21 dB
	Fo + 20 MHz	Typ. 17 dB
	Fo - ()MHz	Typ. dB
	Fo +()MHz	Typ. dB
Return Loss	Min. 12 dB	20.6 dB
Ripple	< 1 dB	dB
Impedance	In / Out : 75 Ω	In / Out : 75 Ω
(4) Torque for Tuning Screw	> 100gf • cm	
(5) Temperature Condition:		
Operating Temperature	0°C ~ +60°C	
Storage Temperature	-20°C ~ +70°C	
(6) Input Power	> 1Watt	

(7) Measuring Circuit: ※Easy to match Impedance 75Ωby parallel with about () pF.



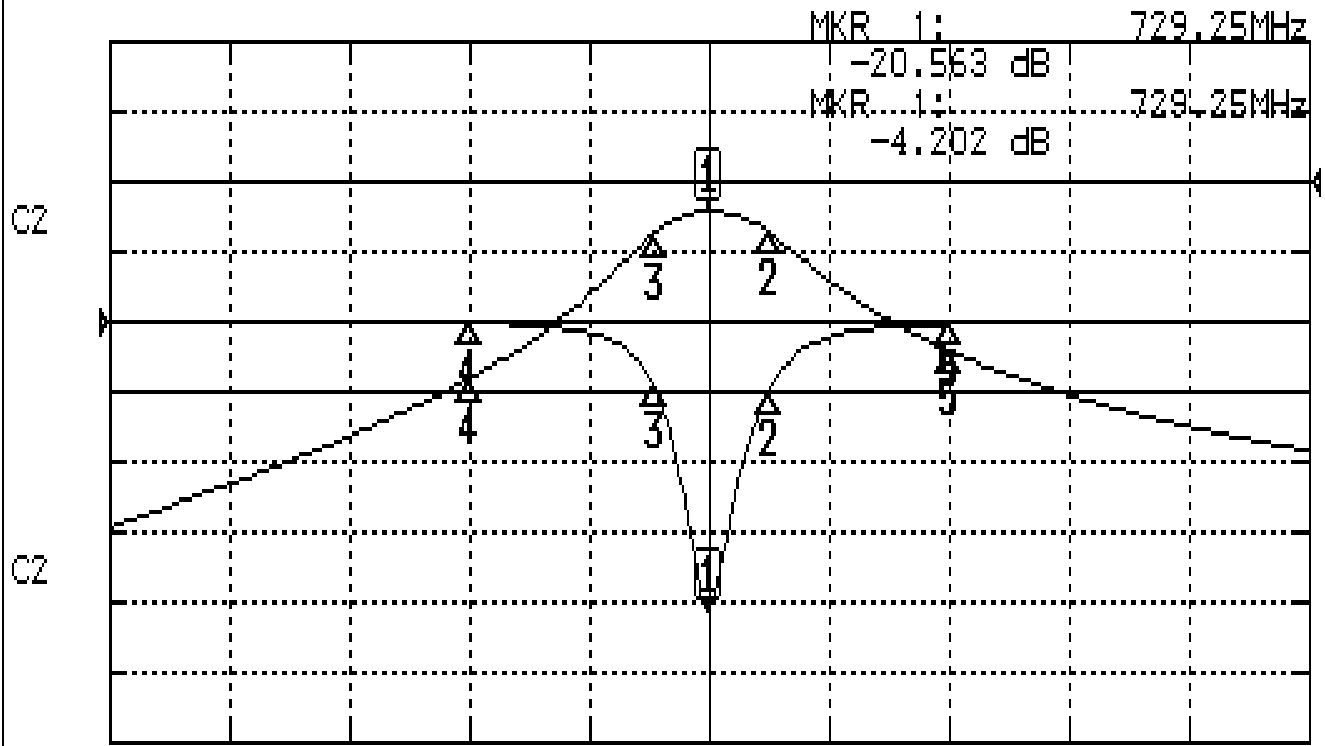
Approval	Supervisor	Designer	Aperture size
C.Y.Chang	C.S.Chang	P.H.Chiang	7H2(4*4.5)F 7H046LB4 聚 3

TEMWELL CORPORATION

Performance-TDL6261F-729.25M

0612096DC

CH1	S11	LOG MAG	REF	0.000 dB	5.000 dB/
CH2	S21	LOG MAG	REF	0.000 dB	10.000 dB/



CENTER 729.25MHz

[10.00 dBm]

SPAN 100MHz

CH1 MARKER LIST

1	729.250MHz	-20.603	dB
2	734.250MHz	-4.920	dB
3	724.666MHz	-4.664	dB
4	709.250MHz	-0.052	dB
5	749.250MHz	-0.134	dB

CH2 MARKER LIST

1	729.250MHz	-4.202	dB
2	734.250MHz	-7.232	dB
3	724.666MHz	-7.303	dB
4	709.250MHz	-28.060	dB
5	749.250MHz	-24.082	dB