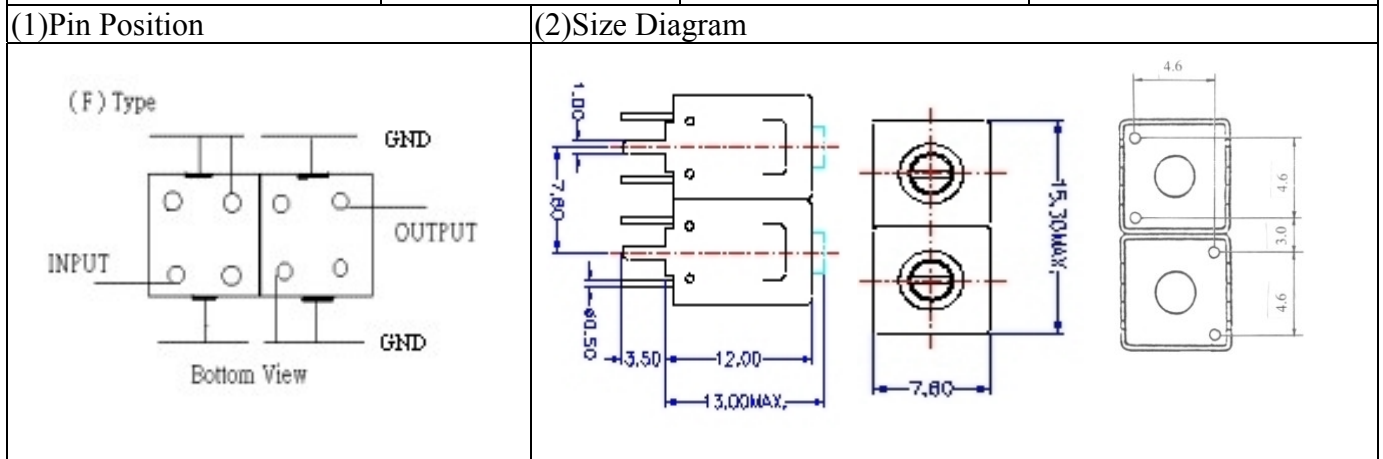


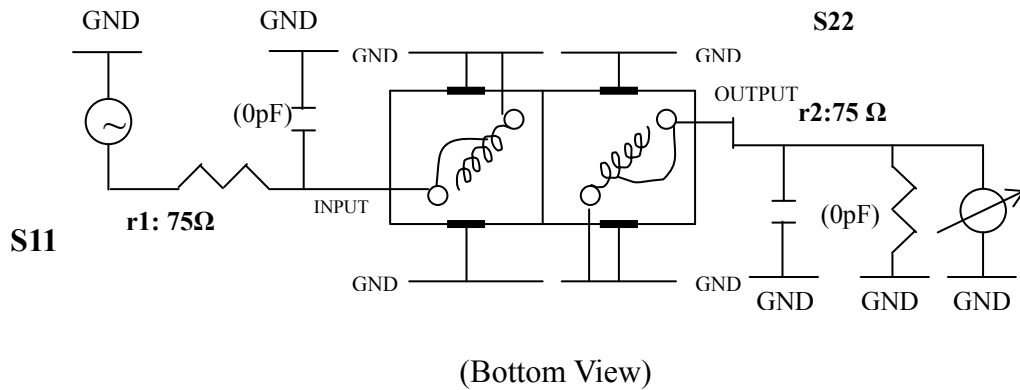
# VHF UHF Helical Filter Specification Sheet

Customer Name		Temwell's Part No.	TDL6271F-789.25M
Approval No. /dated	0612106APR	Acceptable Specify Fo Range	751~800 MHz
Work Instruction No.	0612106DC	Date	Jan.04.2007



(3) Electric Character			
Item		Specify	Performance
Center Freq.(Fo ) +/- 0.5 %		789.25 MHz	789.25 MHz
Tunable Range		789.25±5 MHz	789.25±5 MHz
Insertion Loss		Typ. 5.0 dB	4.21 dB
-3 dB Bandwidth		Typ. 6 MHz	10.5 MHz
Sensitivity (Attenuation)	Fo - 20 MHz	Typ. 18 dB	21 dB
	Fo + 20 MHz	Typ. 14 dB	17 dB
	Fo - ( )MHz	Typ. dB	dB
	Fo +( )MHz	Typ. dB	dB
Return Loss		Min. 12 dB	20.4 dB
Ripple		< 1 dB	dB
Impedance		In / Out : 75 Ω	In / Out : 75 Ω
(4) Torque for Tuning Screw		> 100gf • cm	
(5) Temperature Condition:			
Operating Temperature		0°C ~ +60°C	
Storage Temperature		-20°C ~ +70°C	
(6) Input Power		> 1 Watt	

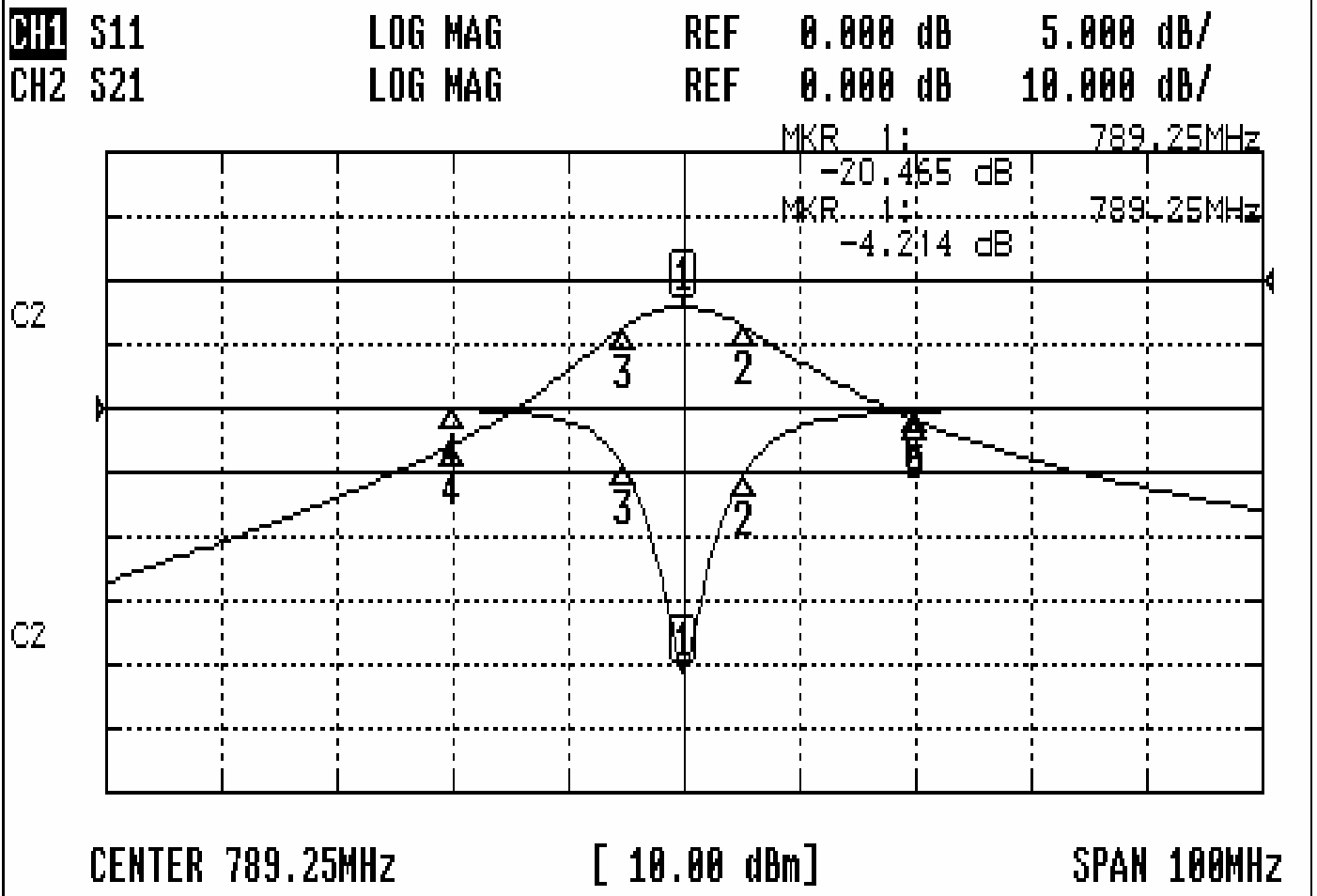
(7) Measuring Circuit: ※Easy to match Impedance 75Ω by parallel with about ( 0 ) pF.



Approval	Supervisor	Designer	Aperture size
C.Y.Chang	C.S.Chang	P.H.Chiang	7H2( 4*4.5)F 7H046LB4 聚 3
TEMWELL CORPORATION			

# Performance-TDL6271F-789.25M

## 0612106DC



### CH1 MARKER LIST

1	789.250MHz	-20.467 dB
2	794.500MHz	-15.082 dB
3	784.083MHz	-4.546 dB
4	769.250MHz	-0.060 dB
5	809.250MHz	-0.215 dB

### CH2 MARKER LIST

1	789.250MHz	-4.214 dB
2	794.500MHz	-7.252 dB
3	784.083MHz	-7.277 dB
4	769.250MHz	-25.683 dB
5	809.250MHz	-21.838 dB