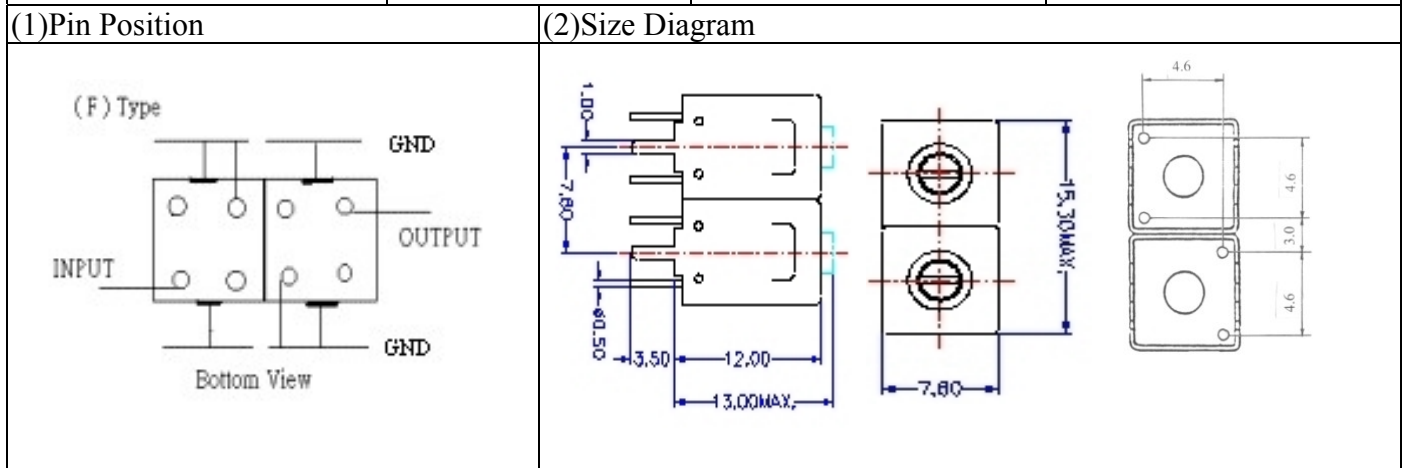


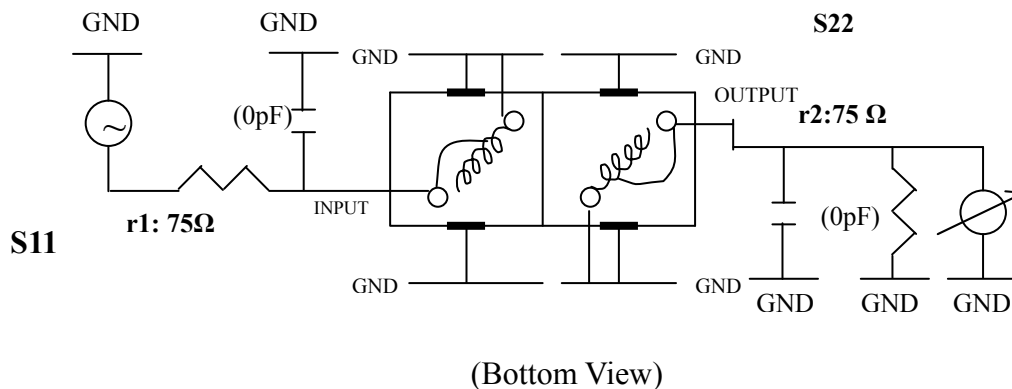
VHF UHF Helical Filter Specification Sheet

| | | | |
|----------------------|------------|-----------------------------|------------------|
| Customer Name | | Temwell's Part No. | TDL6274F-807.25M |
| Approval No. /dated | 0612109APR | Acceptable Specify Fo Range | 801~830 MHZ |
| Work Instruction No. | 0612109DC | Date | Jan.04.2007 |



| (3) Electric Character | | | |
|--|-------------|-----------------|-----------------|
| Item | | Specify | Performance |
| Center Freq.(Fo) +/- 0.5 % | | 807.25 MHz | 807.25 MHz |
| Tunable Range | | 807.25±10 MHz | 807.25±10 MHz |
| Insertion Loss | | Typ. 4.5 dB | 3.86 dB |
| -3 dB Bandwidth | | Typ. 7 MHz | 11.4 MHz |
| Sensitivity (Attenuation) | Fo - 20 MHz | Typ. 17 dB | 20 dB |
| | Fo + 20 MHz | Typ. 14 dB | 17 dB |
| | Fo - ()MHz | Typ. dB | dB |
| | Fo +()MHz | Typ. dB | dB |
| Return Loss | | Min. 12 dB | 26.1 dB |
| Ripple | | < 1 dB | dB |
| Impedance | | In / Out : 75 Ω | In / Out : 75 Ω |
| (4) Torque for Tuning Screw > 100gf · cm | | | |
| (5) Temperature Condition: | | | |
| Operating Temperature | | 0°C ~ +60°C | |
| Storage Temperature | | -20°C ~ +70°C | |
| (6) Input Power | | > 1Watt | |

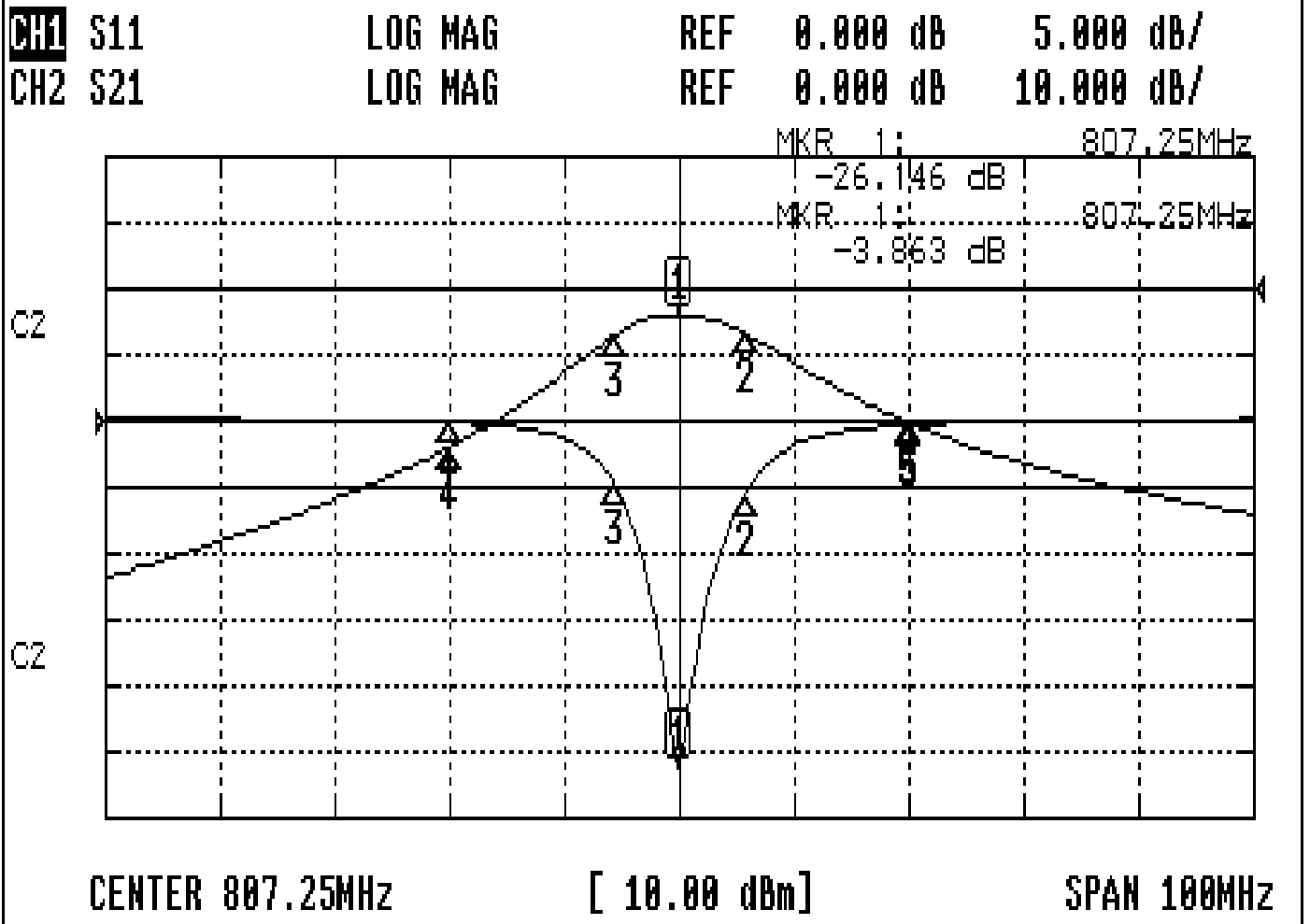
(7) Measuring Circuit: ※Easy to match Impedance 75Ω by parallel with about (0) pF.



| | | | |
|---------------------|------------|------------|------------------------------|
| Approval | Supervisor | Designer | Aperture size |
| C.Y.Chang | C.S.Chang | P.H.Chiang | 7H2(4*4.5)F 7H046LB4 聚 3 |
| TEMWELL CORPORATION | | | |

Performance-TDL6274F-807.25M

0612109DC



CH1 MARKER LIST

| | | |
|----|------------|------------|
| 1: | 807.250MHz | -26.146 dB |
| 2: | 813.083MHz | -5.430 dB |
| 3: | 801.666MHz | -4.833 dB |
| 4: | 787.250MHz | -0.070 dB |
| 5: | 827.250MHz | -0.278 dB |

CH2 MARKER LIST

| | | |
|----|------------|------------|
| 1: | 807.250MHz | -3.861 dB |
| 2: | 813.083MHz | -6.020 dB |
| 3: | 801.666MHz | -6.050 dB |
| 4: | 787.250MHz | -23.867 dB |
| 5: | 827.250MHz | -20.209 dB |