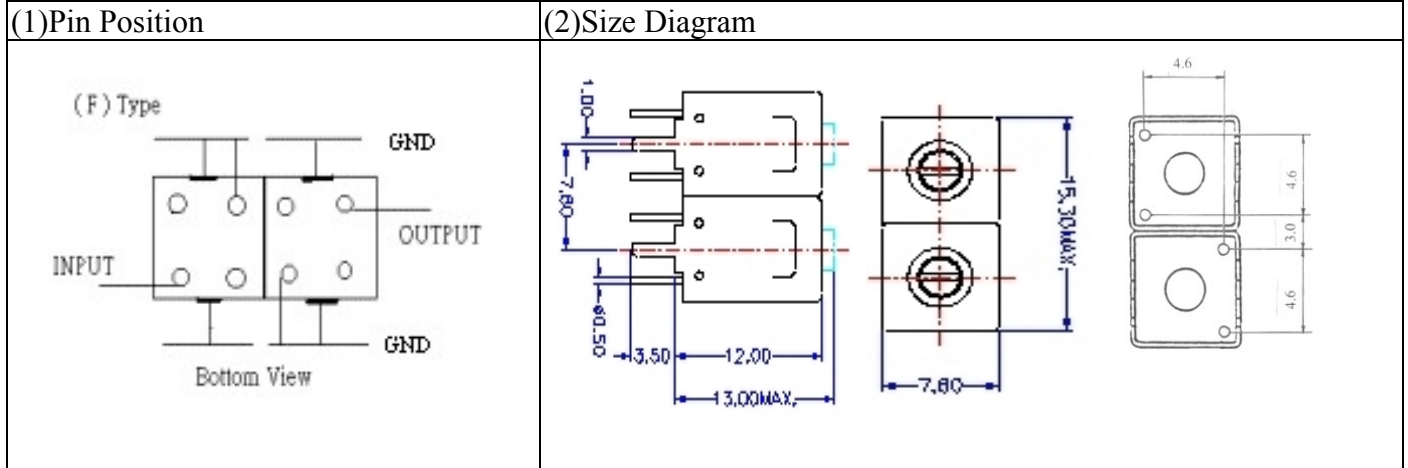


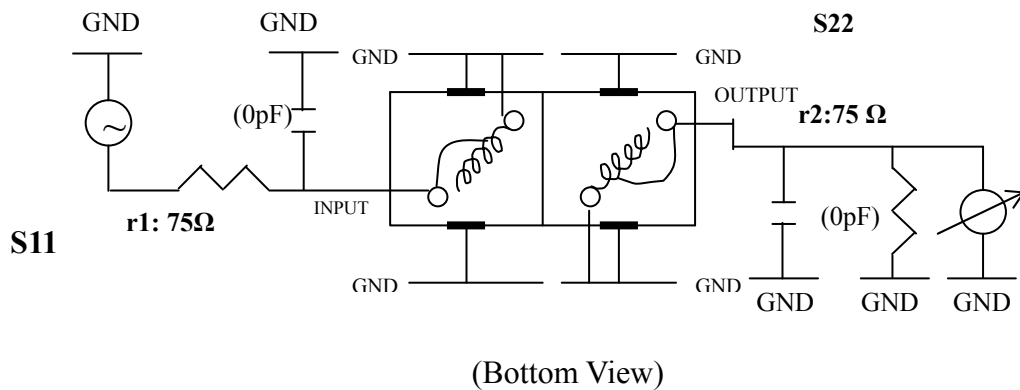
VHF UHF Helical Filter Specification Sheet

Customer Name		Temwell's Part No.	TDL6275F-813.25M
Approval No. /dated	0612110APR	Acceptable Specify Fo Range	801~830 MHZ
Work Instruction No.	0612110DC	Date	Jan.04.2007



(3) Electric Character		Item	Specify	Performance
		Center Freq.(Fo) +/- 0.5 %	813.25 MHz	813.25 MHz
		Tunable Range	813.25±10 MHz	813.25±10 MHz
		Insertion Loss	Typ. 5.0 dB	4.10 dB
		-3 dB Bandwidth	Typ. 6 MHz	10.6 MHz
Sensitivity (Attenuation)	Fo - 20 MHz	Typ. 18 dB		21 dB
	Fo + 20 MHz	Typ. 15 dB		18 dB
	Fo - ()MHz	Typ. dB		dB
	Fo +()MHz	Typ. dB		dB
		Return Loss	Min. 12 dB	26.3 dB
		Ripple	< 1 dB	dB
		Impedance	In / Out : 75 Ω	In / Out : 75 Ω
(4) Torque for Tuning Screw			> 100gf · cm	
(5) Temperature Condition:				
Operating Temperature			0°C ~ +60°C	
Storage Temperature			-20°C ~ +70°C	
(6) Input Power			> 1 Watt	

(7) Measuring Circuit: ※Easy to match Impedance 75Ωby parallel with about (0) pF.

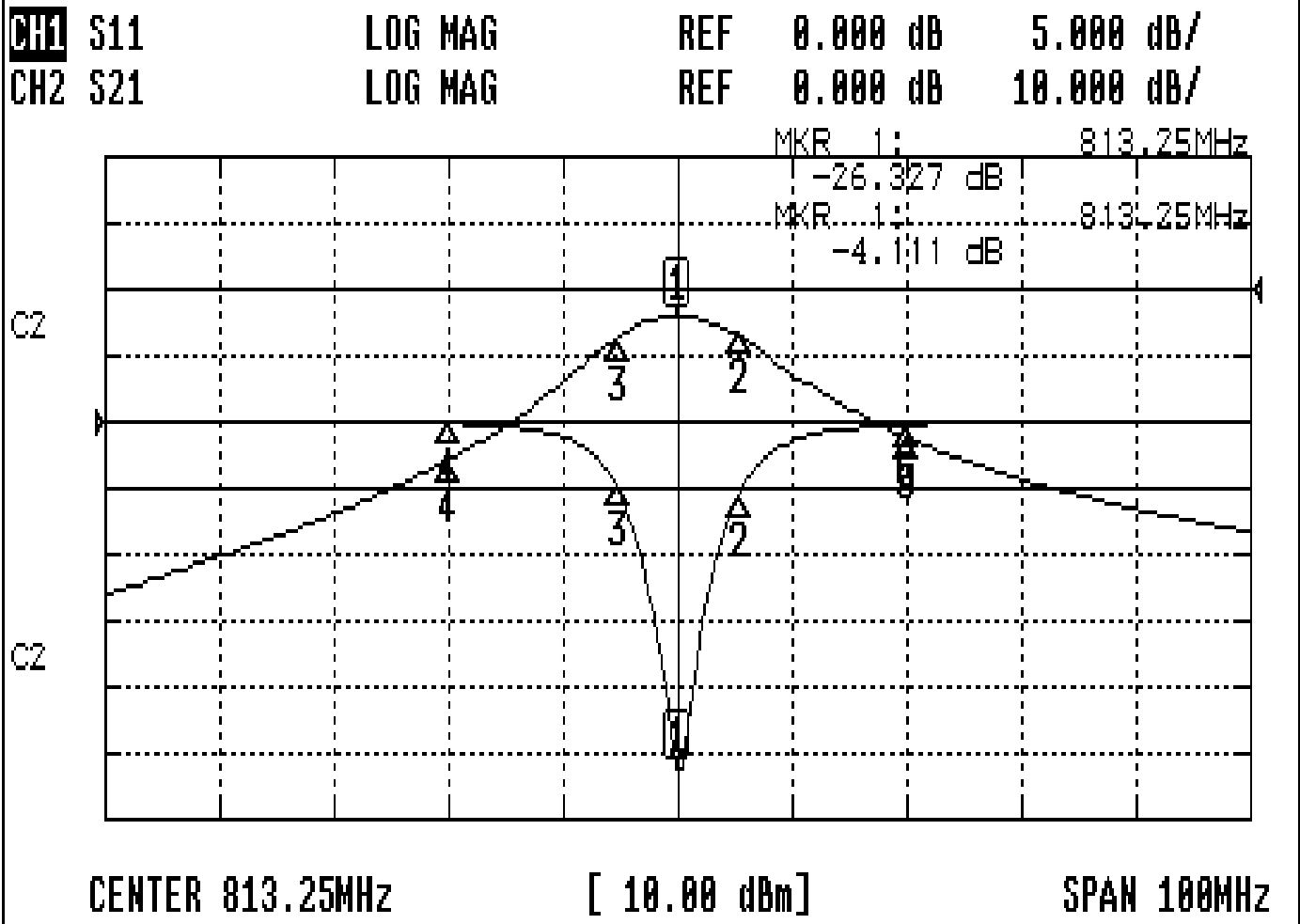


Approval	Supervisor	Designer	Aperture size
C.Y.Chang	C.S.Chang	P.H.Chiang	7H2(4*4.5)F 7H046LB4 聚 3

TEMWELL CORPORATION

Performance-TDL6275F-813.25M

0612110DC



CH1 MARKER LIST

1:	813.250MHz	-26.327	dB
2:	818.666MHz	-5.447	dB
3:	808.000MHz	-4.965	dB
4:	793.250MHz	-0.098	dB
5:	833.250MHz	-0.207	dB

CH2 MARKER LIST

1:	813.250MHz	-4.105	dB
2:	818.666MHz	-7.172	dB
3:	808.000MHz	-7.105	dB
4:	793.250MHz	-25.661	dB
5:	833.250MHz	-22.325	dB