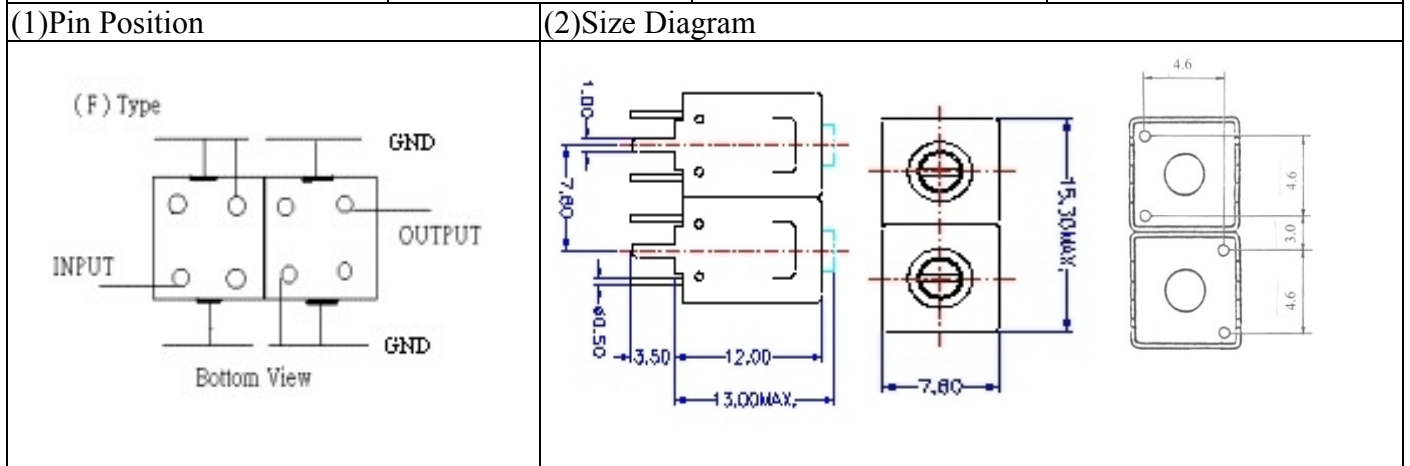


# VHF UHF Helical Filter Specification Sheet

Customer Name		Temwell's Part No.	TDL6278F-831.25M
Approval No. /dated	0612113APR	Acceptable Specify Fo Range	831~860 MHZ
Work Instruction No.	0612113DC	Date	Jan.04.2007



(3) Electric Character

Item	Specify	Performance	
Center Freq.(Fo) +/- 0.5 %	831.25 MHz	831.25 MHz	
Tunable Range	831.25±10 MHz	831.25±10 MHz	
Insertion Loss	Typ. 5.5 dB	4.45 dB	
-3 dB Bandwidth	Typ. 6 MHz	10.4 MHz	
Sensitivity (Attenuation)	Fo - 20 MHz	Typ. 18 dB	21 dB
	Fo + 20 MHz	Typ. 15 dB	18 dB
	Fo - ( )MHz	Typ. dB	dB
	Fo +( )MHz	Typ. dB	dB
Return Loss	Min. 12 dB	24.4 dB	
Ripple	< 1 dB	dB	
Impedance	In / Out : 75 Ω	In / Out : 75 Ω	

(4) Torque for Tuning Screw

(4) Torque for Tuning Screw	> 100gf · cm
-----------------------------	--------------

(5) Temperature Condition:

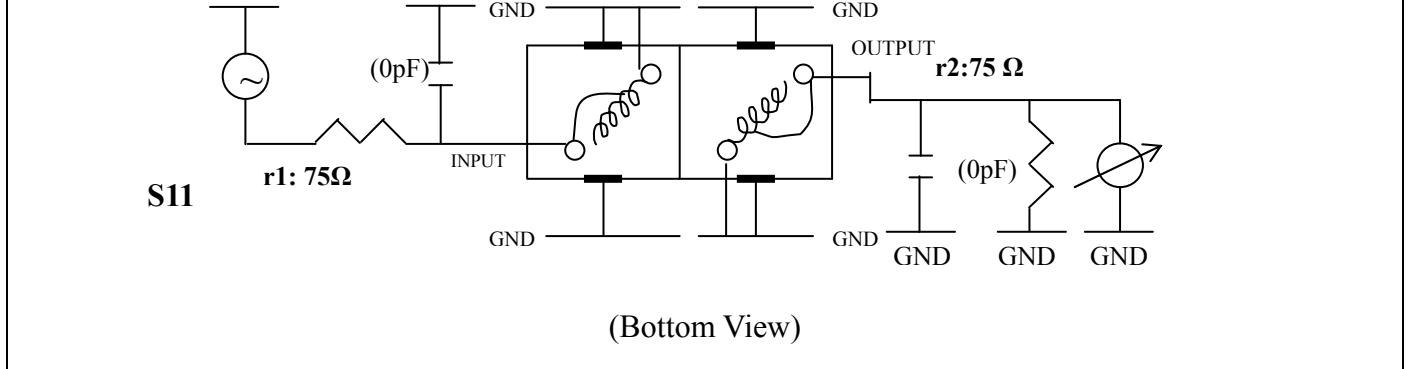
Operating Temperature	0°C ~ +60°C
-----------------------	-------------

Storage Temperature	-20°C ~ +70°C
---------------------	---------------

(6) Input Power

(6) Input Power	> 1 Watt
-----------------	----------

(7) Measuring Circuit: ※Easy to match Impedance 75Ω by parallel with about (0) pF.



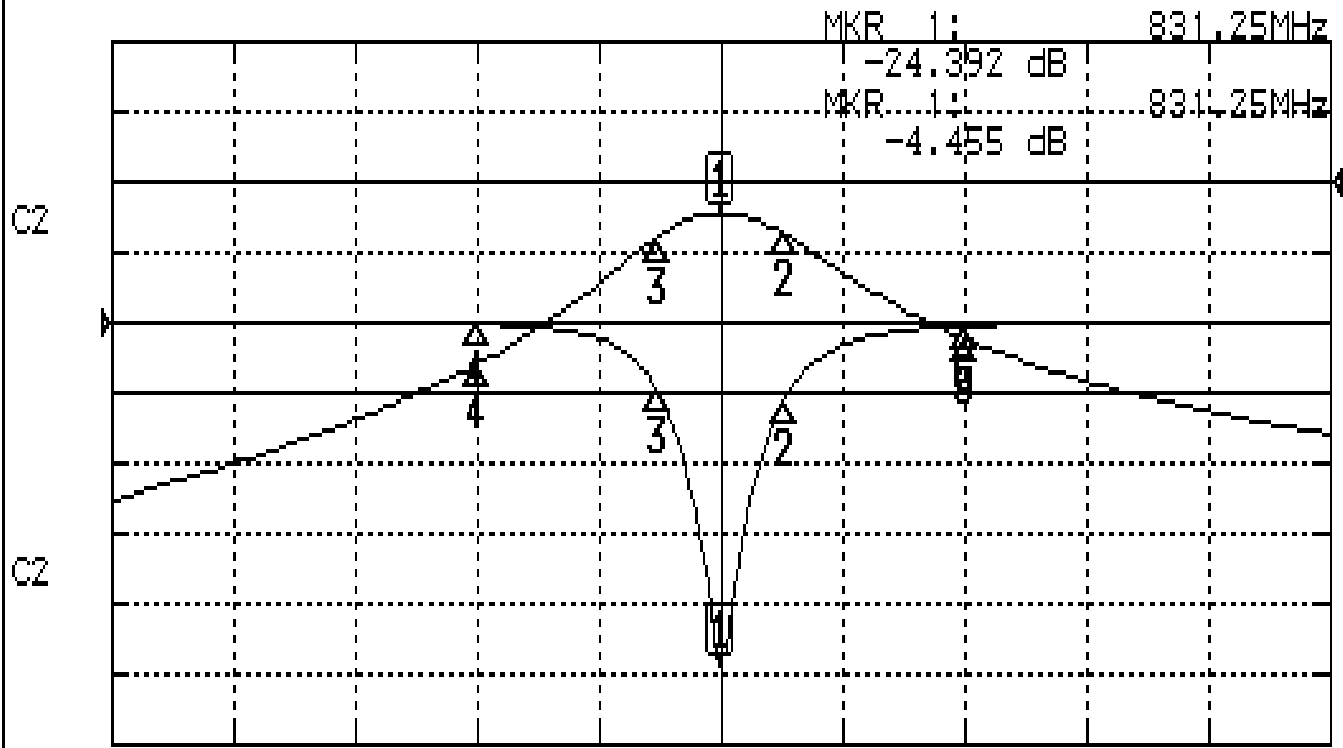
Approval	Supervisor	Designer	Aperture size
C.Y.Chang	C.S.Chang	P.H.Chiang	7H2( 4*4.5)F 7H046LB4 聚 3

TEMWELL CORPORATION

# Performance-TDL6278F-831.25M

## 0612113DC

CH1 S11 LOG MAG REF 0.000 dB 5.000 dB/  
CH2 S21 LOG MAG REF 0.000 dB 10.000 dB/



CENTER 831.25MHz

[ 10.00 dBm ]

SPAN 100MHz

### CH1 MARKER LIST

1	831.250MHz	-24.406	dB
2	836.500MHz	-5.543	dB
3	826.166MHz	-4.910	dB
4	811.250MHz	-0.075	dB
5	851.250MHz	-0.246	dB

### CH2 MARKER LIST

1	831.250MHz	-4.455	dB
2	836.500MHz	-7.430	dB
3	826.166MHz	-7.472	dB
4	811.250MHz	-25.851	dB
5	851.250MHz	-22.282	dB