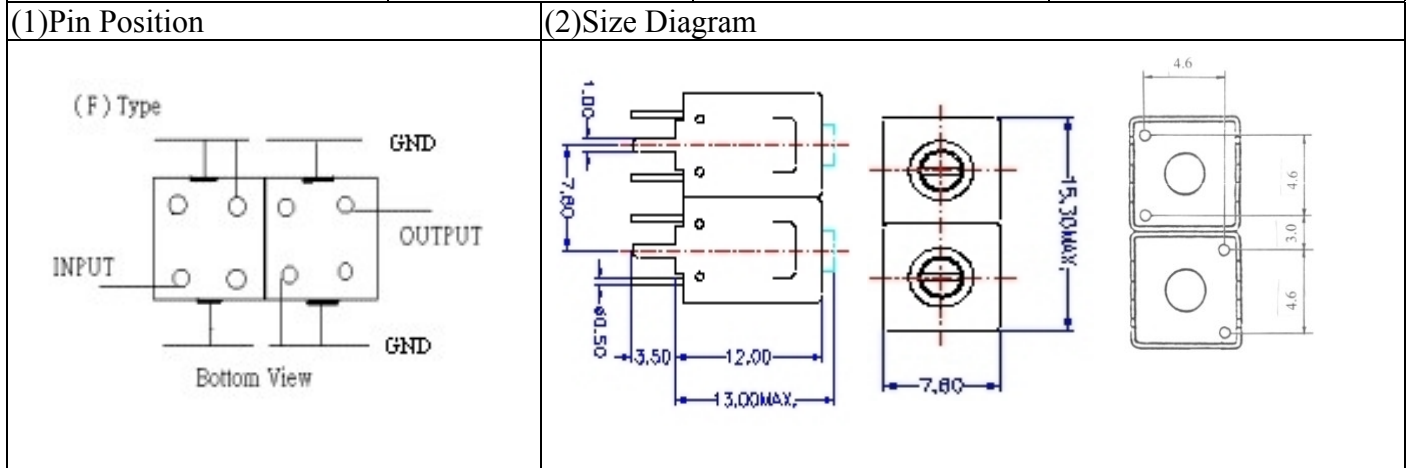


# VHF UHF Helical Filter Specification Sheet

Customer Name		Temwell's Part No.	TDL6280F-843.25M
Approval No. /dated	0612115APR	Acceptable Specify Fo Range	831~860 MHZ
Work Instruction No.	0612115DC	Date	Jan.04.2007



(3) Electric Character

Item	Specify	Performance	
Center Freq.(Fo) +/- 0.5 %	843.25 MHz	843.25 MHz	
Tunable Range	843.25±10 MHz	843.25±10 MHz	
Insertion Loss	Typ. 5.5 dB	4.76 dB	
-3 dB Bandwidth	Typ. 6 MHz	10.3 MHz	
Sensitivity (Attenuation)	Fo - 20 MHz	Typ. 18 dB	21 dB
	Fo + 20 MHz	Typ. 15 dB	18 dB
	Fo - ( )MHz	Typ. dB	dB
	Fo +( )MHz	Typ. dB	dB
Return Loss	Min. 12 dB	20.5 dB	
Ripple	< 1 dB	dB	
Impedance	In / Out : 75 Ω	In / Out : 75 Ω	

(4) Torque for Tuning Screw > 100gf · cm

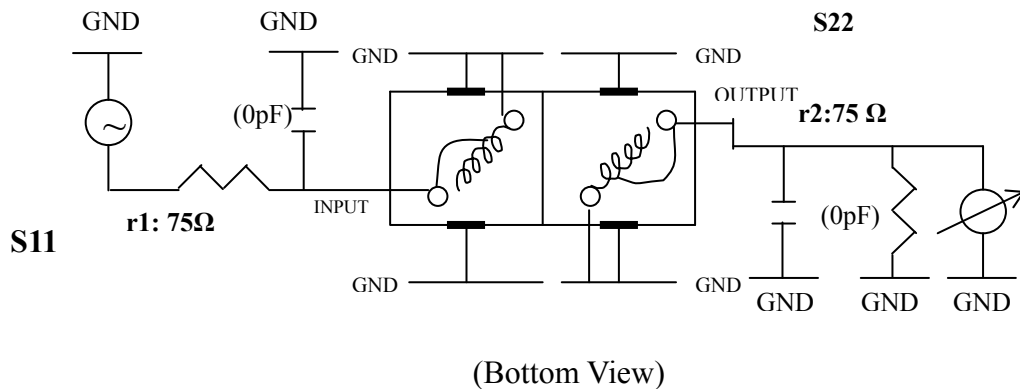
(5) Temperature Condition:

Operating Temperature 0°C ~ +60°C

Storage Temperature -20°C ~ +70°C

(6) Input Power > 1 Watt

(7) Measuring Circuit: ※Easy to match Impedance 75Ωby parallel with about (0) pF.



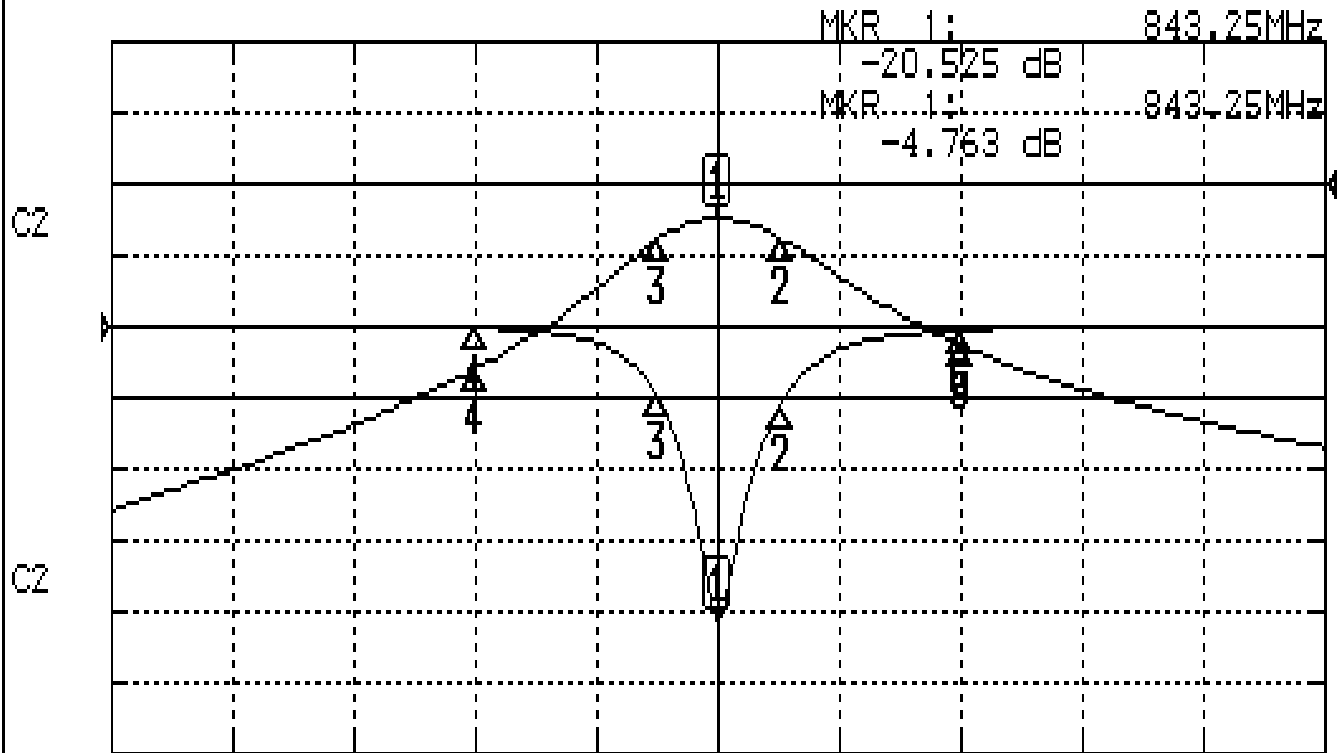
Approval	Supervisor	Designer	Aperture size
C.Y.Chang	C.S.Chang	P.H.Chiang	7H2( 4*4.5)F 7H046LB4 聚 3

TEMWELL CORPORATION

# Performance-TDL6280F-843.25M

## 0612115DC

CH1 S11 LOG MAG REF 0.000 dB 5.000 dB/  
CH2 S21 LOG MAG REF 0.000 dB 10.000 dB/



CENTER 843.25MHz

[ 10.00 dBm ]

SPAN 100MHz

### CH1 MARKER LIST

1	843.250MHz	-20.535	dB
2	848.500MHz	-5.438	dB
3	838.250MHz	-4.730	dB
4	823.250MHz	-0.082	dB
5	863.250MHz	-0.251	dB

### CH2 MARKER LIST

1	843.250MHz	-4.763	dB
2	848.500MHz	-7.691	dB
3	838.250MHz	-7.827	dB
4	823.250MHz	-25.906	dB
5	863.250MHz	-22.544	dB