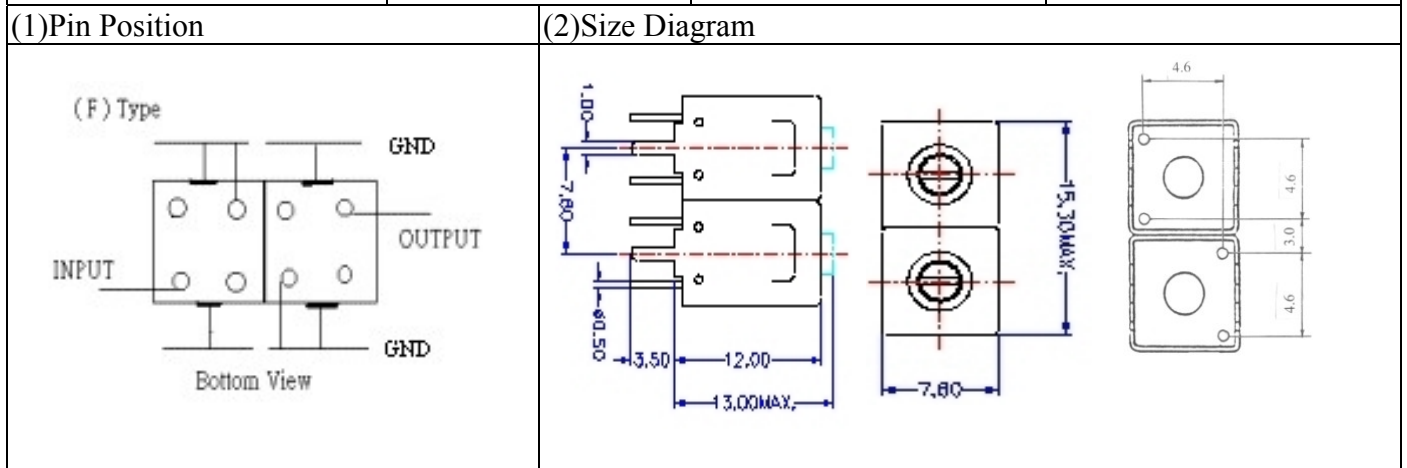


VHF UHF Helical Filter Specification Sheet

Customer Name		Temwell's Part No.	TDL6281F-849.25M
Approval No. /dated	0612116APR	Acceptable Specify Fo Range	831~860 MHZ
Work Instruction No.	0612116DC	Date	Jan.04.2007



(3) Electric Character

Item	Specify	Performance	
Center Freq.(Fo) +/- 0.5 %	849.25 MHz	849.25 MHz	
Tunable Range	849.25±10 MHz	849.25±10 MHz	
Insertion Loss	Typ. 5.5 dB	4.74 dB	
-3 dB Bandwidth	Typ. 6 MHz	10.0 MHz	
Sensitivity (Attenuation)	Fo - 20 MHz	Typ. 19 dB	22 dB
	Fo + 20 MHz	Typ. 16 dB	19 dB
	Fo - ()MHz	Typ. dB	dB
	Fo +()MHz	Typ. dB	dB
Return Loss	Min. 12 dB	25.8 dB	
Ripple	< 1 dB	dB	
Impedance	In / Out : 75 Ω	In / Out : 75 Ω	

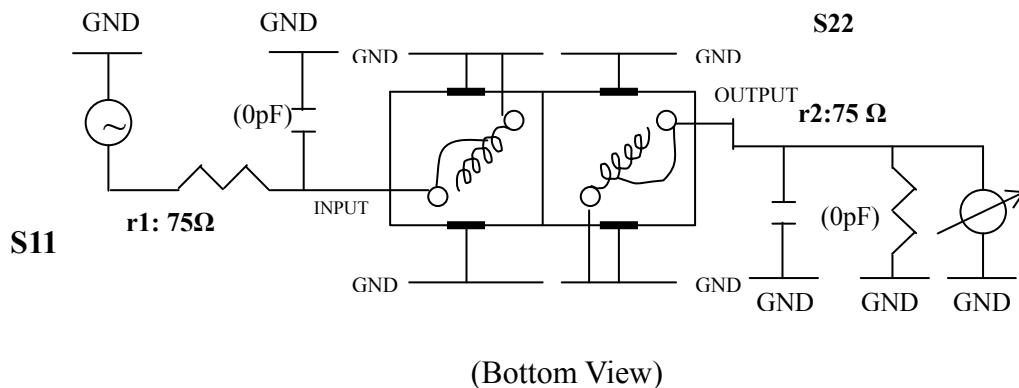
(4) Torque for Tuning Screw > 100gf · cm

(5) Temperature Condition:

Operating Temperature	0°C ~ +60°C
Storage Temperature	-20°C ~ +70°C

(6) Input Power > 1Watt

(7) Measuring Circuit: ※Easy to match Impedance 75Ωby parallel with about (0) pF.

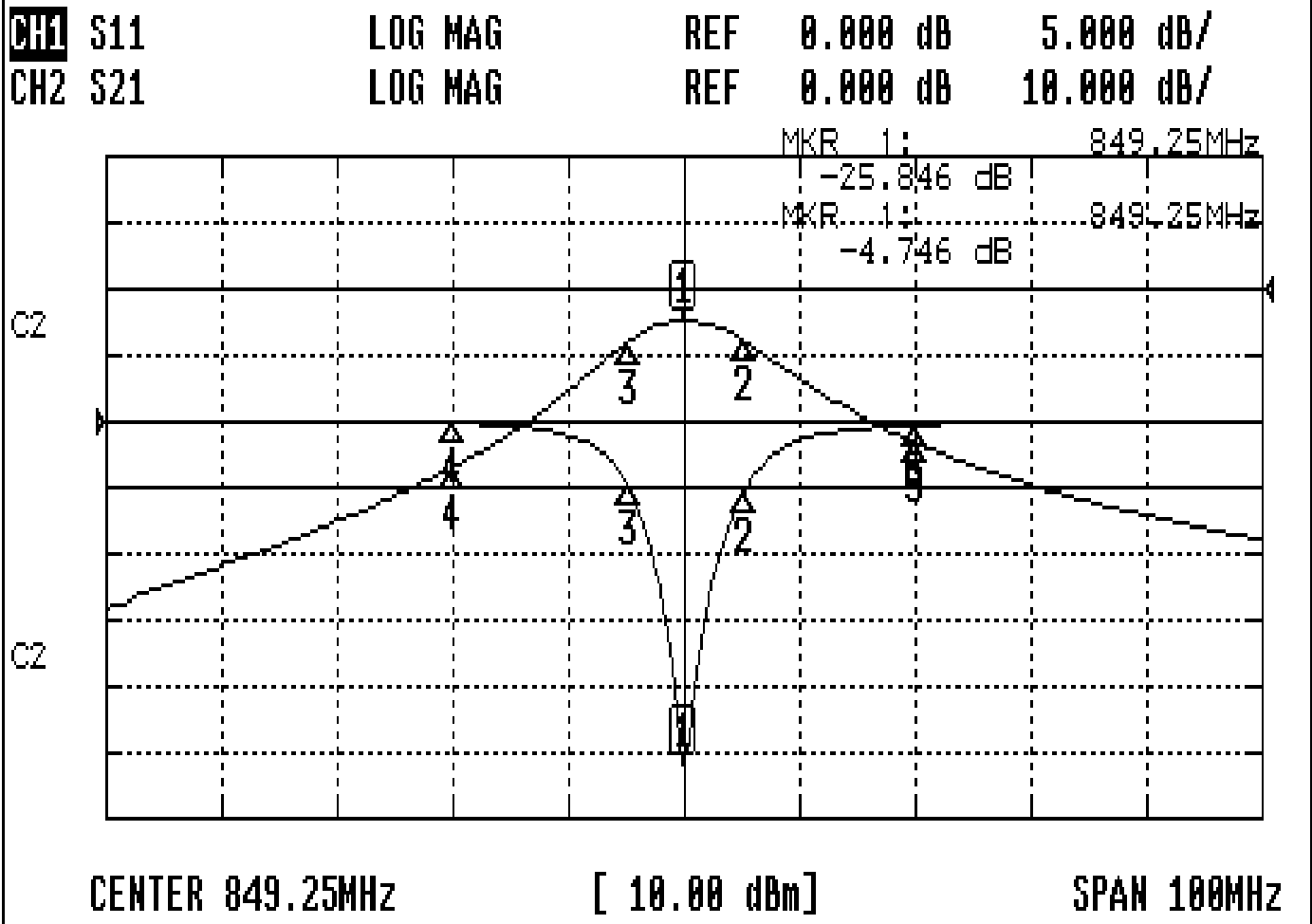


Approval	Supervisor	Designer	Aperture size
C.Y.Chang	C.S.Chang	P.H.Chiang	7H2(4*4.5)F 7H046LB4 聚 3

TEMWELL CORPORATION

Performance-TDL6281F-849.25M

0612116DC



CH1 MARKER LIST

1	849.250MHz	-25.846	dB	0.000000
2	854.000MHz	-5.312	dB	0.000000
3	844.500MHz	-4.947	dB	0.000000
4	829.250MHz	-0.067	dB	0.000000
5	869.250MHz	-0.223	dB	0.000000

CH2 MARKER LIST

1	849.250MHz	-4.746	dB	0.000000
2	854.000MHz	-7.772	dB	0.000000
3	844.500MHz	-7.785	dB	0.000000
4	829.250MHz	-26.865	dB	0.000000
5	869.250MHz	-23.159	dB	0.000000